



# Swivel Sink and Pantry Faucets

## 5F-1SLX00

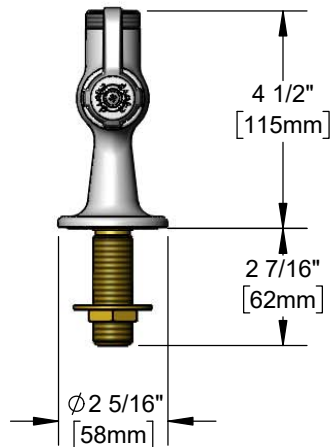
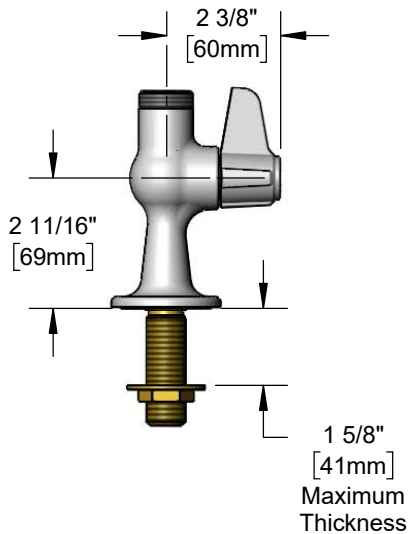
TAG:

### Deck Mount Faucet

#### Architect/Engineering Specifications:

Single hole single temperature deck mount faucet with polished chrome plated brass body, ceramic cartridge, lever handle and 1/2" NPSM male inlet. Certified to ASME A112.18.1\CSA B125.1, NSF 61-Section 9 and NSF 372. Meets ADA ANSICC A117.1 requirements.

Job Name \_\_\_\_\_  
 Model Specified \_\_\_\_\_ Quantity \_\_\_\_\_  
 Variations Specified \_\_\_\_\_  
 Date \_\_\_\_\_



#### Features & Benefits:

- Single hole single temperature deck mount faucet w/ polished chrome plated brass body
- Swivel outlet accepts equip swivel nozzles
- Quarter-turn ceramic cartridge
- equip lever handle
- 1/2" NPSM male inlet
- Optional tailpiece and nut for 1/4" NPT male connection
- Material: Polished chrome plated brass body and chrome plated metal handle

#### Product Compliance:

- ASME A112.18.1 / CSA B125.1
- NSF 61 - Section 9
- NSF 372 (Low Lead Content)
- ANSI A117.1 (ADA)

**Warranty:** One Year (Limited)

#### Performance Data:

- Pressure: 20 - 125 psi [1.38 - 8.62 bar]
  - Temperature: 40 °F - 140 °F [4.44 °C - 60 °C]
  - Flow Rate: 10.50 GPM [39.75 L/min] @ 60 psi [4.14 bar]
- (Outlet Device &/or Final Configuration May Reduce Flow Rate)



ADA Compliant

#### equip Swing Nozzles

- 5SP-06 6" Swing Nozzle
- 5SP-08 8" Swing Nozzle
- 5SP-10 10" Swing Nozzle
- 5SP-12 12" Swing Nozzle
- 5SP-14 14" Swing Nozzle
- 5SP-16 16" Swing Nozzle
- 5SP-18 18" Swing Nozzle

#### equip Swivel Goosenecks (D x K)

- 5SP-05 5 3/4" x 8 9/16" Swivel Gooseneck
- 5SP-09 9" x 7" Swivel Gooseneck

#### equip Foodservice Accessories



• 2 Saddleback Cove • Travelers Rest, SC 29690  
 Ph 800-891-4808 • Fax 800-868-0084  
 www.tsbrass.com

Date: 06/11/21