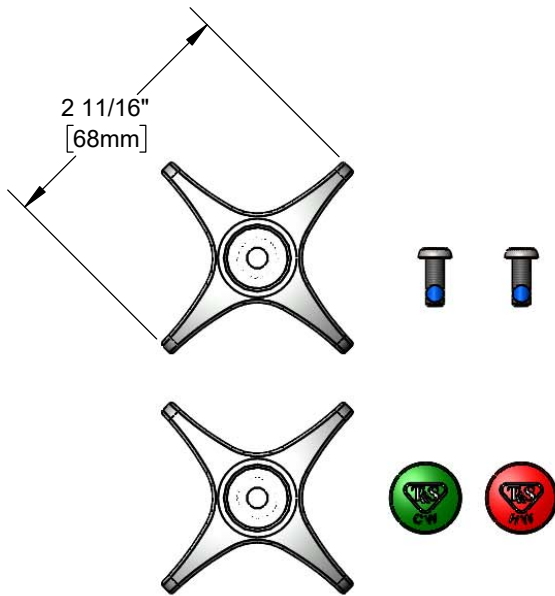
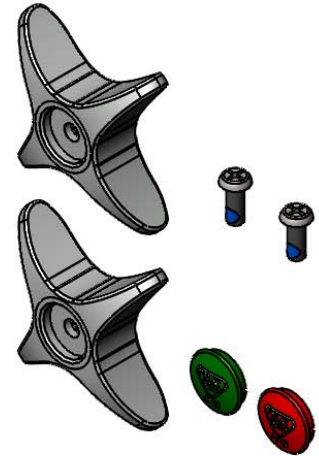




Architect/Engineering Specifications:

Anti-microbial coated 4-arm lab handles, red and green indexes and screws.

Job Name \_\_\_\_\_  
 Model Specified \_\_\_\_\_ Quantity \_\_\_\_\_  
 Variations Specified \_\_\_\_\_  
 Date \_\_\_\_\_



Features & Benefits:

- Anti-microbial coated 4-arm handles (2)
- Red "HW" and green "CW" color coded indexes for lab applications
- Handle screws (2)
- Fits all T&S Eterna compression & Cerama cartridges
- Material: Anti-microbial coated chrome plated metal handle

Product Compliance:

- N/A

Warranty: One Year (Limited)

Performance Data:

- N/A

