



Architect/Engineering Specifications:

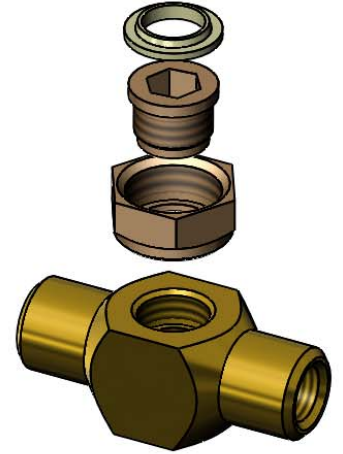
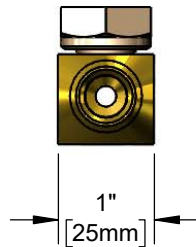
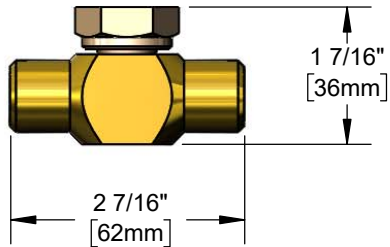
Brass cross body with 1/4" NPT female inlets and hardware kit. Certified to ASME A112.18.1/CSA B125.1, NSF 61-Section 9 and NSF 372.

Job Name _____

Model Specified _____ Quantity _____

Variations Specified _____

Date _____



Features & Benefits:

- Cross body w/ 1/4" NPT female inlets
- Coupling nut
- Insert
- Washer
- Material: Brass body

Product Compliance:

- ASME A112.18.1 / CSA B125.1
- NSF 61 - Section 9
- NSF 372 (Low Lead Content)



Warranty: One Year (Limited)

Performance Data:

- N/A

