



**T&S BRASS AND BRONZE WORKS, INC.**  
 2 Saddleback Cove / P.O. Box 1088  
 Travelers Rest, SC 29690

Model No.  
**B-7232-01-ESB**

Item No.

Travelers Rest, SC: 800-476-4103 • Simi Valley, CA: 800-423-0150 • Fax: 864-834-3518 • www.tsbrass.com

This Space for Architect/Engineer Approval

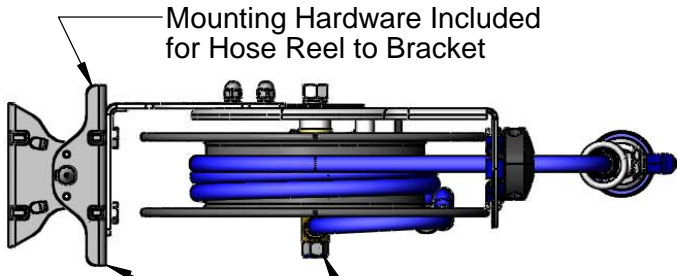
Job Name \_\_\_\_\_ Date \_\_\_\_\_

Model Specified \_\_\_\_\_ Quantity \_\_\_\_\_

Customer/Wholesaler \_\_\_\_\_

Contractor \_\_\_\_\_

Architect/Engineer \_\_\_\_\_



Mounting Hardware Included for Hose Reel to Bracket

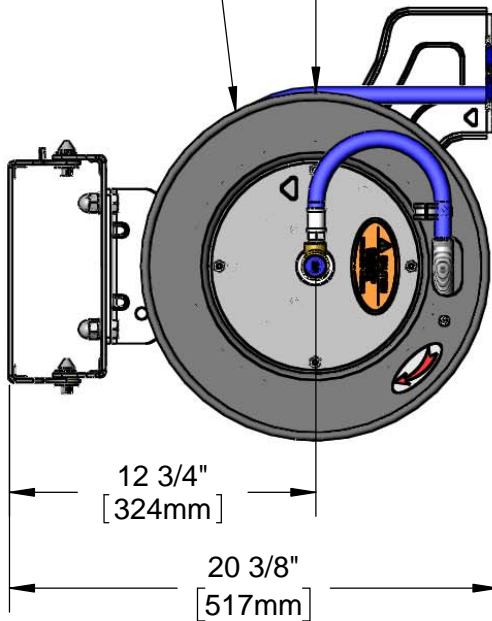
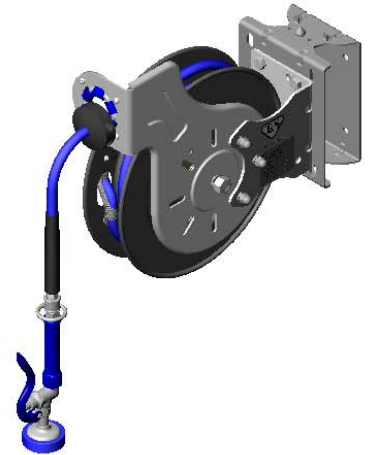
3/8" NPT Female Inlet (Left Side of Reel)

Universal EasyInstall Stainless Steel Wall Mount Swing Bracket w/ 100° of Rotation

Epoxy Coated Open Hose Reel 35' of 3/8" Hose

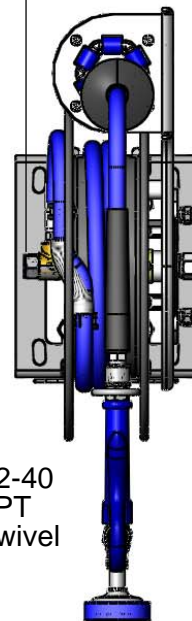
Ø 14 1/2" [368mm]

7 1/8" [181mm]



12 3/4" [324mm]

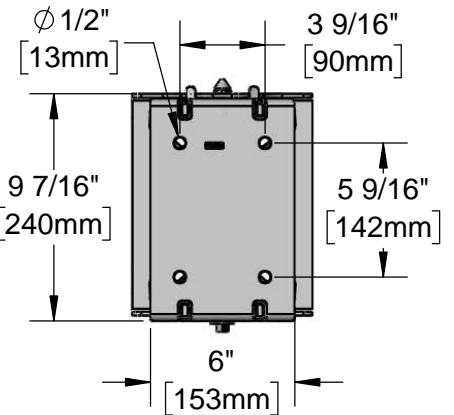
20 3/8" [517mm]



019652-40 3/8" NPT Live Swivel

EB-0107 High Flow Spray Valve

Mounting Hole Details



Ø 1/2" [13mm]

3 9/16" [90mm]

9 7/16" [240mm]

5 9/16" [142mm]

6" [153mm]

Product Specifications:  
 3/8" x 35' Epoxy Coated Open Reel, High Flow Spray Valve w/ Swivel & 100 Degree EasyInstall Stainless Steel Swing Bracket w/ Reel-to-Bracket Mounting Hardware

Product Compliance:  
 NSF 61 Exempt (Non-Potable)  
 EPAAct 2005 Non-Compliant (PRSV)



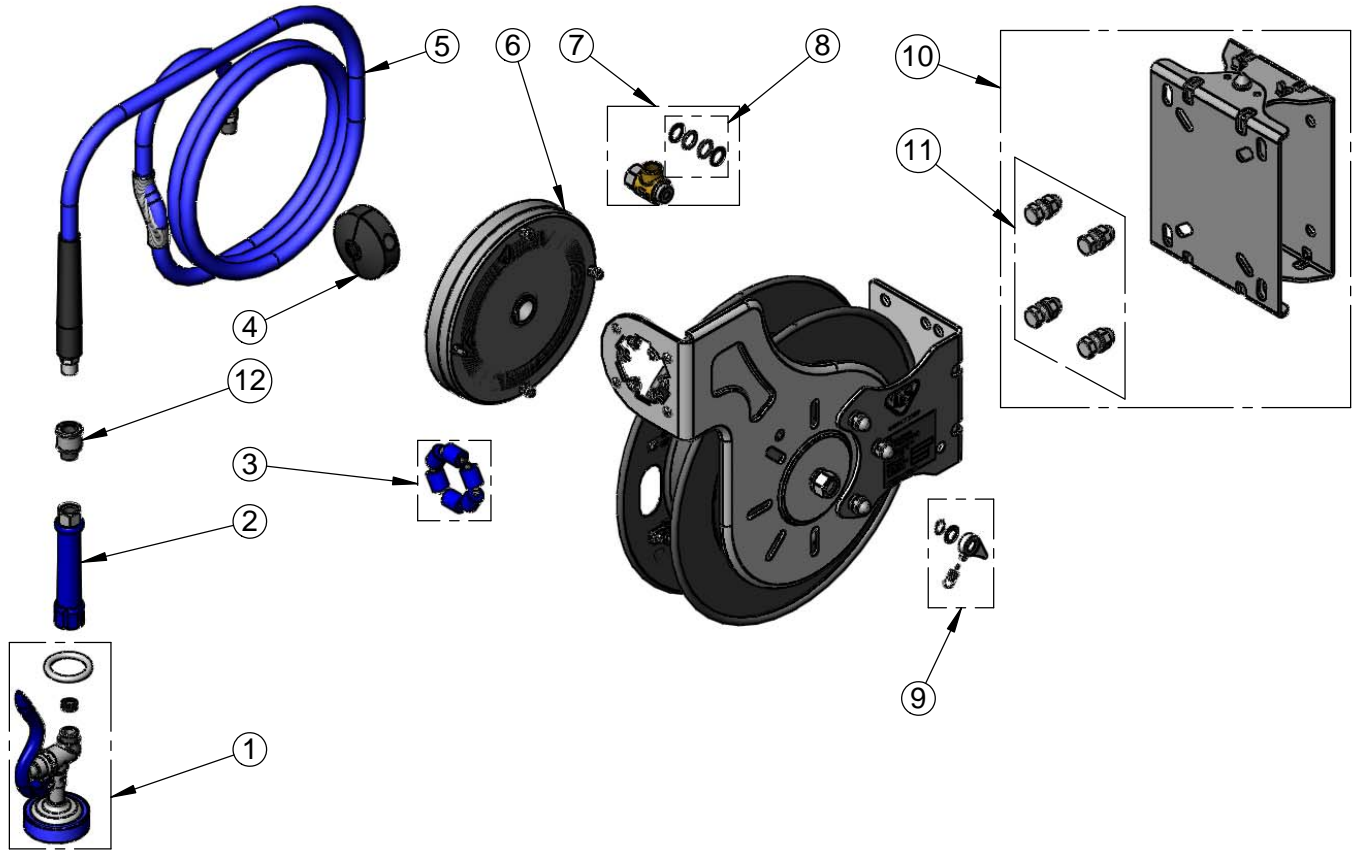
**T&S BRASS AND BRONZE WORKS, INC.**  
 2 Saddleback Cove / P.O. Box 1088  
 Travelers Rest, SC 29690

Model No.  
**B-7232-01-ESB**

Item No.

Travelers Rest, SC: 800-476-4103 • Simi Valley, CA: 800-423-0150 • Fax: 864-834-3518 • www.tsbrass.com

ITEM NO.	SALES NO.	DESCRIPTION
1	EB-0107	High Flow Spray Valve (Blue)
2	012504-40	Grip Handle (Blue) w/ Washer
3	014938-45	Roller Repair Kit
4	014949-45	Hose Stop Repair Kit
5	014941-45	3/8" x 35' Hose Replacement Kit
6	014933-45	Small Stainless Steel Spring
7	014946-45	3/8" Swivel Repair Kit
8	014948-45	O-Ring Replacement Kit
9	014940-45	Ratchet Repair Kit
10	G019430-45	Universal EasyInstall Stainless Steel Swing Bracket
11	019191-45K	Hose Reel Bracket Mounting Kit
12	019652-40	3/8" NPT Live Swivel



Product Specifications:  
 3/8" x 35' Epoxy Coated Open Reel, High Flow Spray Valve w/ Swivel &  
 100 Degree EasyInstall Stainless Steel Swing Bracket  
 w/ Reel-to-Bracket Mounting Hardware

Product Compliance:  
 NSF 61 Exempt (Non-Potable)  
 EPA Act 2005 Non-Compliant (PRSV)