



**T&S BRASS AND BRONZE WORKS, INC.**  
 2 Saddleback Cove / P.O. Box 1088  
 Travelers Rest, SC 29690

Model No.  
**019059-45**

Item No.

Travelers Rest, SC: 800-476-4103 • Simi Valley, CA: 800-423-0150 • Fax: 864-834-3518 • www.tsbrass.com

This Space for Architect/Engineer Approval

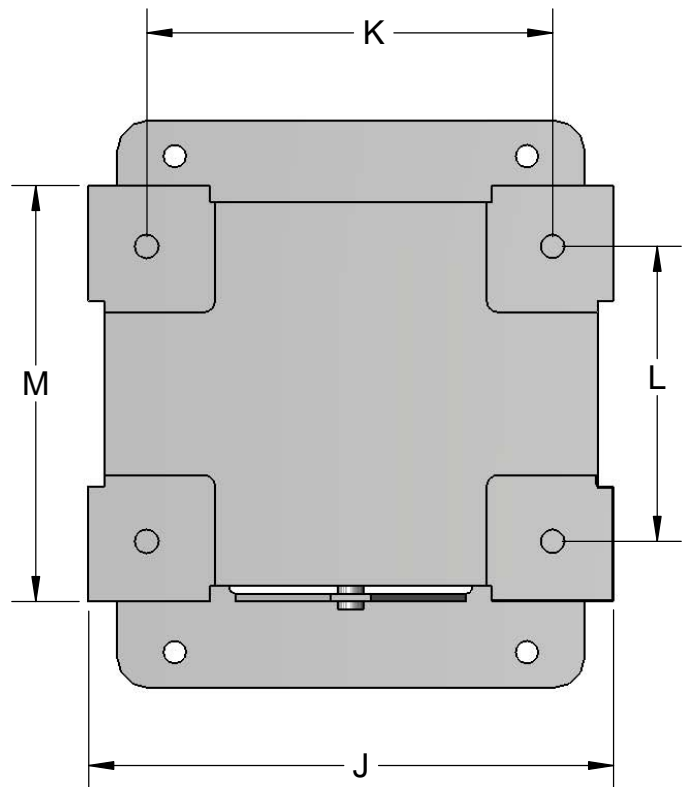
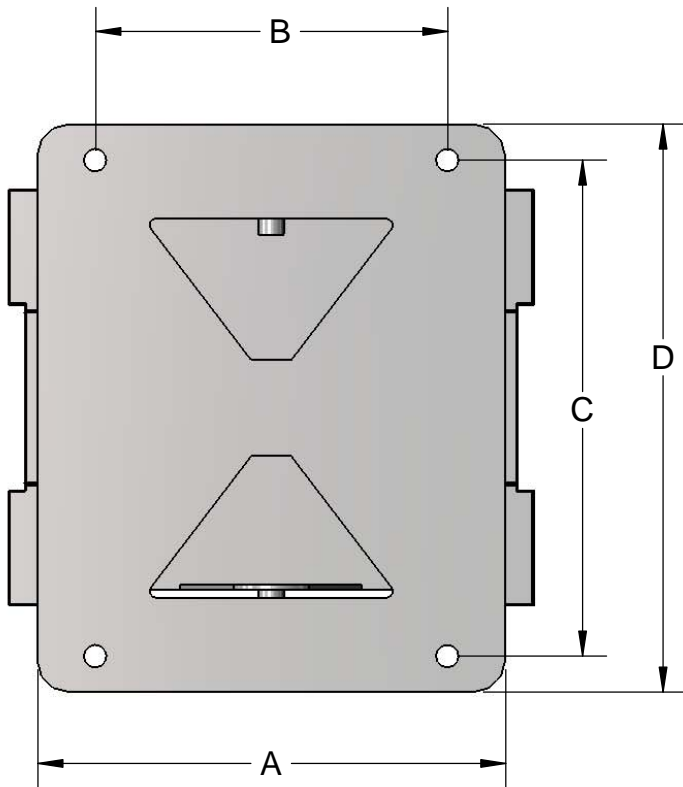
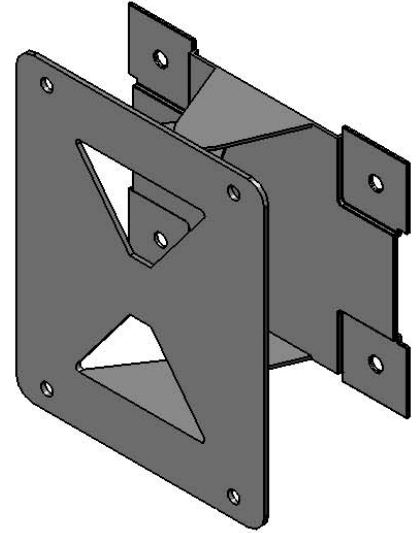
Job Name \_\_\_\_\_ Date \_\_\_\_\_

Model Specified \_\_\_\_\_ Quantity \_\_\_\_\_

Customer/Wholesaler \_\_\_\_\_

Contractor \_\_\_\_\_

Architect/Engineer \_\_\_\_\_



| Fits Hose Reel | A    | B    | C    | D     | J    | K    | L    | M    |
|----------------|------|------|------|-------|------|------|------|------|
| ESA-4L65-S     | 8.0" | 6.0" | 8.6" | 10.1" | 8.2" | 6.3" | 4.6" | 6.5" |
| ESA-4L82-S     |      |      |      |       |      |      |      |      |

Product Specifications:  
**Medium Stainless Steel Swivel for ESA Reel Series 530**

|                      |                       |                          |
|----------------------|-----------------------|--------------------------|
| Drawn<br><b>JRM</b>  | Checked<br><b>KJG</b> | Approved<br><b>JHB</b>   |
| Scale:<br><b>1:3</b> |                       | Date:<br><b>10/08/13</b> |