



Architect/Engineering Specifications:

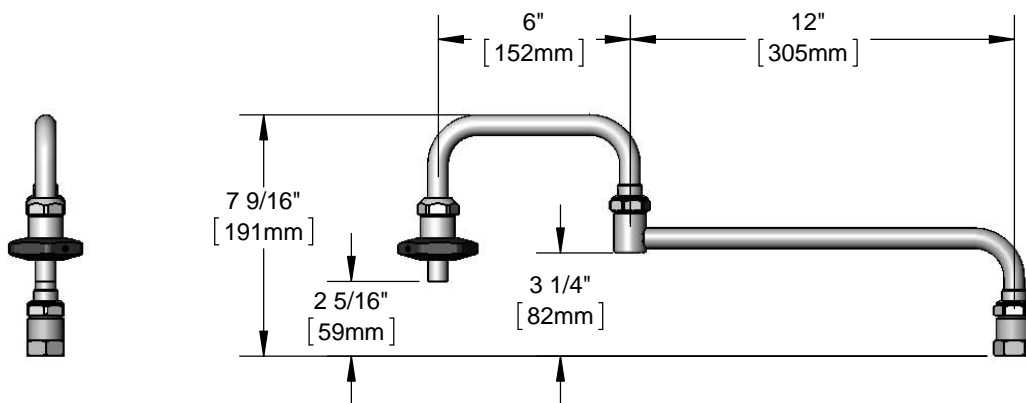
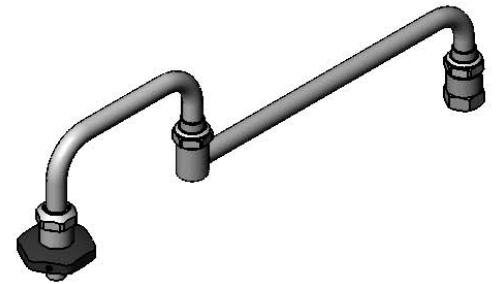
18" double joint swing nozzle with chrome plated brass body and on-off volume control outlet with insulated grip & swivel body. Certified to ASME A112.18.1/CSA B125.1, NSF 61-Section 9 and NSF 372.

Job Name _____

Model Specified _____ Quantity _____

Variations Specified _____

Date _____



Features & Benefits:

- 18" double joint swing nozzle
- Swivel Body w/ 1/2" NPT female inlet
- On-off volume control outlet with insulated grip
- Material: chrome plated brass tubular spouts & swivel body

Product Compliance:

- ASME A112.18.1 / CSA B125.1
- NSF 61 - Section 9
- NSF 372 (Low Lead Content)
-



Warranty: One Year (Limited)

Performance Data:

- Pressure: 20 - 125 psi
- Temperature: 40 °F - 140 °F
- Flow Rate: 13.20 GPM @ 60 psi

