



T&S BRASS AND BRONZE WORKS, INC.

2 Saddleback Cove / P.O. Box 1088
Travelers Rest, SC 29690

Model No.

B-1175

Item No.

Travelers Rest, SC: 800-476-4103 • Simi Valley, CA: 800-423-0150 • Fax: 864-834-3518 • www.tsbrass.com



ADA Compliant

This Space for Architect/Engineer Approval

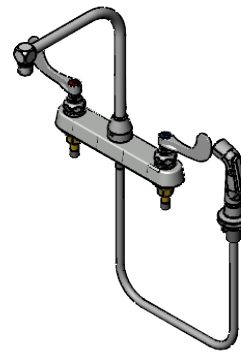
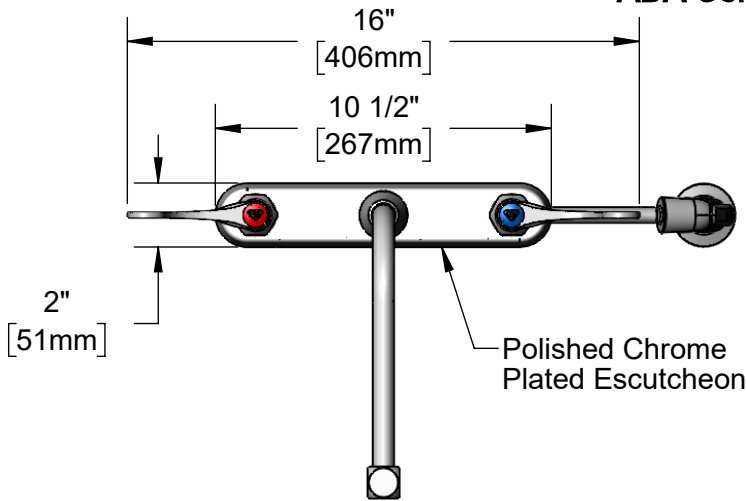
Job Name _____ Date _____

Model Specified _____ Quantity _____

Customer/Wholesaler _____

Contractor _____

Architect/Engineer _____



High-Arc Swivel
Gooseneck w/
B-0199-01
2.2 GPM Aerator

Quarter-Turn Eterna
Cartridges w/ Spring
Checks & Lever Handles
w/ Color Coded Indexes

360° Swivel
Piece

Sidespray w/
4' Vinyl Hose &
Hose Guide

4 15/16"
[125mm]

12 1/8"
[307mm]

10 1/4"
[260mm]

8 3/8"
[212mm]

Hose Guide
w/ Lock Nut

Mounting
Surface

1"
[26mm]

1"
[25mm]

1/4"
[6mm]
Maximum
Thickness

1/2" NPT
Male Inlets
8"
[203mm]

(2) 150A
Optional Tailpiece & Nut
For 1/4" NPT Connection
(Included)

Rough-In Requirement:
Faucet: (3) Ø 1" [25mm] Mounting Holes
Sidespray: (1) Ø 1" [25mm] Mounting Hole

Product Specifications:

8" Deck Mount Workboard Faucet, Quarter-Turn Eterna Cartridges w/ Spring Checks, Lever Handles, High-Arc Swivel Gooseneck, 2.2 GPM Aerator, 4' Vinyl Hose Sidespray w/ Hose Guide & 1/2" NPT Male Inlets

Product Compliance:

ASME A112.18.1 / CSA B125.1
NSF 61 - Section 9
NSF 372 (Low Lead Content)
ANSI A117.1 (ADA)



T&S BRASS AND BRONZE WORKS, INC.

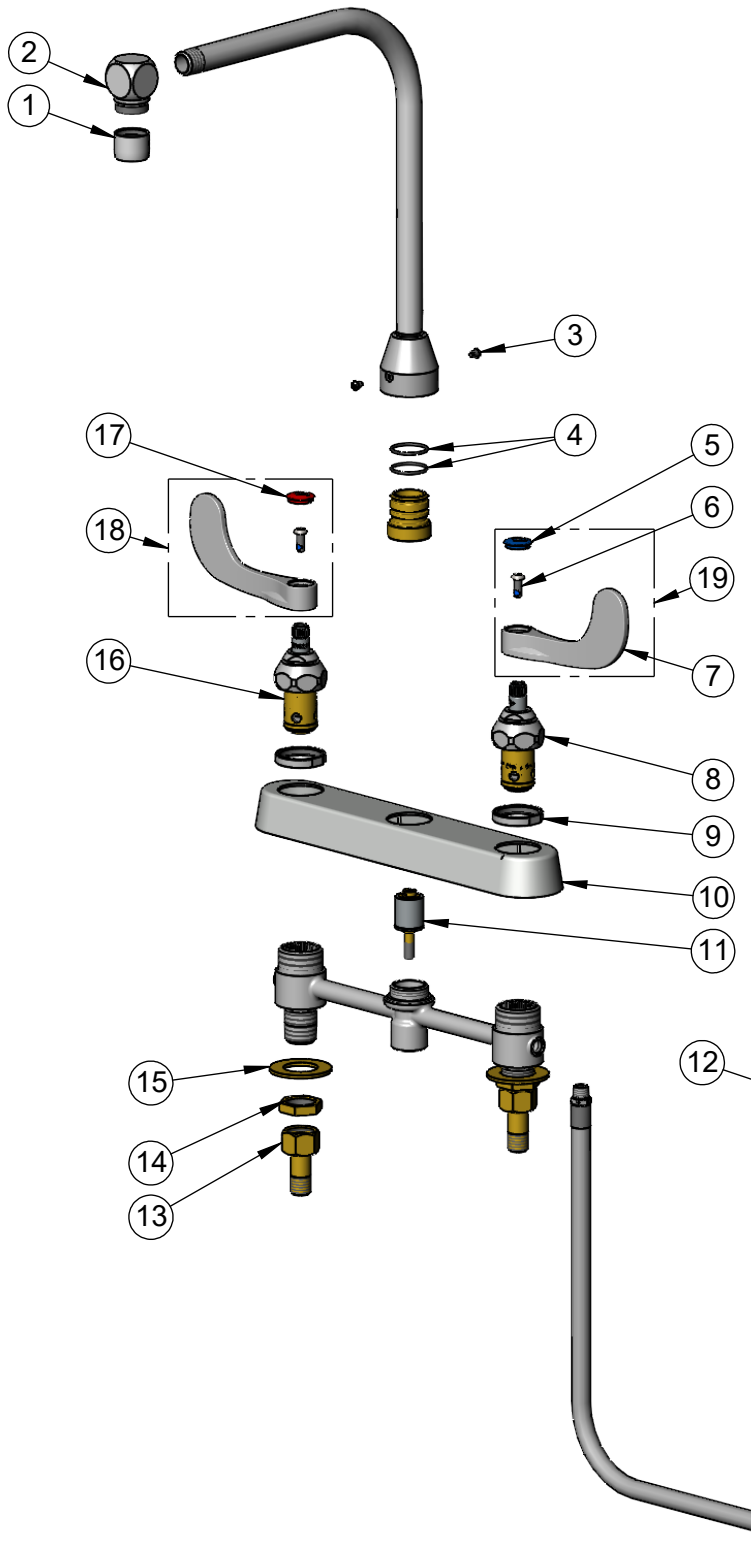
2 Saddleback Cove / P.O. Box 1088
Travelers Rest, SC 29690

Model No.

B-1175

Item No.

Travelers Rest, SC: 800-476-4103 • Simi Valley, CA: 800-423-0150 • Fax: 864-834-3518 • www.tsbrass.com



ITEM NO.	SALES NO.	DESCRIPTION
1	B-0199-01	2.2 GPM Aerator, 55/64-27 UN Female
2	002823-40	Cube
3	001486-45	Diverter Cover Screw
4	006562-45	O-Ring
5	018506-19NS	Blue Button Index, Press-in
6	000925-45	Lab Handle Screw
7	B-WH4-NS	Wrist Action Handle - New Style
8	012442-40NS	Quarter-Turn Eterna Cartridge w/ Spring Check, LTC
9	019376-40	Escutcheon Lock Nut
10	019375-40	B-1120 Eterna Workboard Escutcheon
11	002338-45	Valve Diverter Piston
12	001495-45NS	Sidespray w/ 4' Vinyl Hose & Hose Guide, New Style
13	150A	1/4" NPT Tailpiece & Nut
14	002954-45	Shank Lock Nut
15	000999-45	Brass Lock Washer
16	012443-40NS	Quarter-Turn Eterna Cartridge w/ Spring Check, RTC
17	001193-19NS	Red Button Index, Press-in
18	B-WH4H-NS	Wrist Action Handle, Red Index & Screw
19	B-WH4C-NS	Wrist Action Handle, Blue Index & Screw

Product Specifications:

8" Deck Mount Workboard Faucet, Quarter-Turn Eterna Cartridges w/ Spring Checks, Lever Handles, High-Arc Swivel Gooseneck, 2.2 GPM Aerator, 4' Vinyl Hose Sidespray w/ Hose Guide & 1/2" NPT Male Inlets

Product Compliance:

ASME A112.18.1 / CSA B125.1
NSF 61 - Section 9
NSF 372 (Low Lead Content)
ANSI A117.1 (ADA)