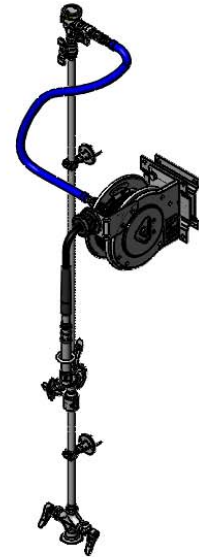
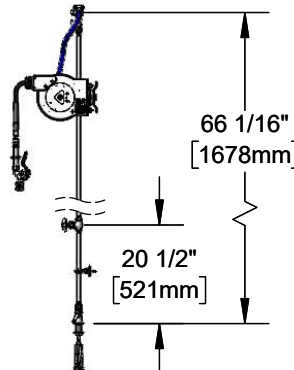
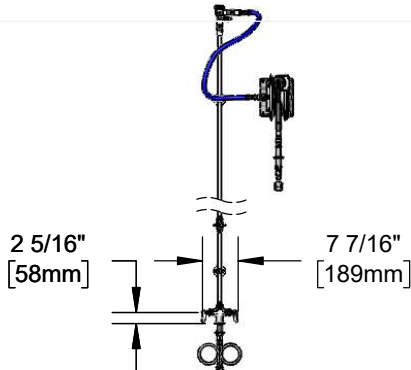




Architect/Engineering Specifications:

Single hole deck mount mixing faucet with polished chrome plated brass body, compression cartridges with spring checks, lever handles, 18" flexible stainless steel hoses with 1/2" NPSM / 5/8" O.D. compression connections, 16" riser, control valve, 40" riser, wall brackets, continuous pressure vacuum breaker, 36" flexible stainless steel water hose connector with stainless steel quick disconnect, open stainless steel hose reel with 3/8" x 12' hose, ratcheting system, 1.07 GPM low flow spray valve with swivel, multi-fit bracket, adjustable hose bumper and 345 degree epoxy coated pivot deck mount bracket with reel-to-bracket mounting hardware. Certified to ASSE 1056. 2019 DOE PRSV - Class II compliant.

Job Name _____
 Model Specified _____ Quantity _____
 Variations Specified _____
 Date _____



Features & Benefits:

- All-in-one system with exposed piping and accessories
- Single hole deck mount mixing faucet w/ polished chrome plated brass body
- Quarter-turn Eterna compression cartridges with spring checks to prevent cross flow of water
- Lever handles w/ color coded indexes
- 18" flexible stainless steel hoses with 1/2" NPSM / 5/8" O.D. compression connections
- EasyInstall 16" and rigid 40" risers w/ control valve between risers
- (2) 2 3/8" wall brackets
- Continuous pressure vacuum breaker
- 36" flexible stainless steel water hose connector with stainless steel quick disconnect
- Open stainless steel hose reel
- 1.07 GPM low flow spray valve w/ heat resistant handle, swivel and hold down ring
- 3/8" x 12' hose rated to 300 PSI
- Ratcheting system holds the length of hose until a slight tug to retract automatically
- Adjustable hose bumper
- Multi-fit bracket for wall, ceiling or under counter mounting
- 345 degree epoxy coated pivot deck mount bracket designed with reel-to-bracket mounting hardware
- Material: Polished chrome plated brass faucet body, risers and spray valve body, chrome plated metal handles, Epoxy coated steel open reel and wall bracket, control valve and vacuum breaker and stainless steel reel

Product Compliance:

- NSF 61 Exempt (Non-Potable)
- 2019 DOE PRSV - Class II
- ASSE 1056 (VB)

Warranty: One Year (Limited)

- Hose Reel: Two Year (Limited)
- Hose: One Year (Limited)



Performance Data:

- Pressure: 20 - 125 psi [1.38 - 8.62 bar]
- Temperature: 40 °F - 140 °F [4.44 °C - 60 °C]
- Flow Rate: 1.07 GPM [4.1 L/min] @ 60 psi [4.14 bar]

Optional Hose Reel Spray Valves

- B-0107 Spray Valve
- B-0108 Ergonomic Medium Flow Spray Valve
- B-0108-H Ergonomic High Flow Spray Valve
- EB-0107 High Flow Spray Valve

Optional Cartridges With Checks

- Quarter-Turn Cerama w/ Check Valve
- Quarter-Turn Eterna w/ Spring Check (Standard)

