



**T&S BRASS AND BRONZE WORKS, INC.**  
 2 Saddleback Cove / P.O. Box 1088  
 Travelers Rest, SC 29690

Model No.  
**B-7242-05-ESB**

Item No.

Travelers Rest, SC: 800-476-4103 • Simi Valley, CA: 800-423-0150 • Fax: 864-834-3518 • www.tsbrass.com

This Space for Architect/Engineer Approval

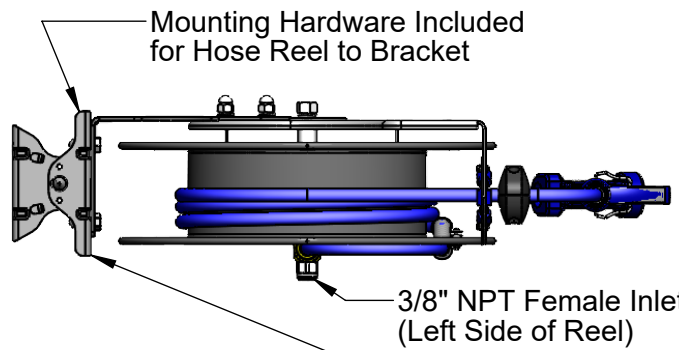
Job Name \_\_\_\_\_ Date \_\_\_\_\_

Model Specified \_\_\_\_\_ Quantity \_\_\_\_\_

Customer/Wholesaler \_\_\_\_\_

Contractor \_\_\_\_\_

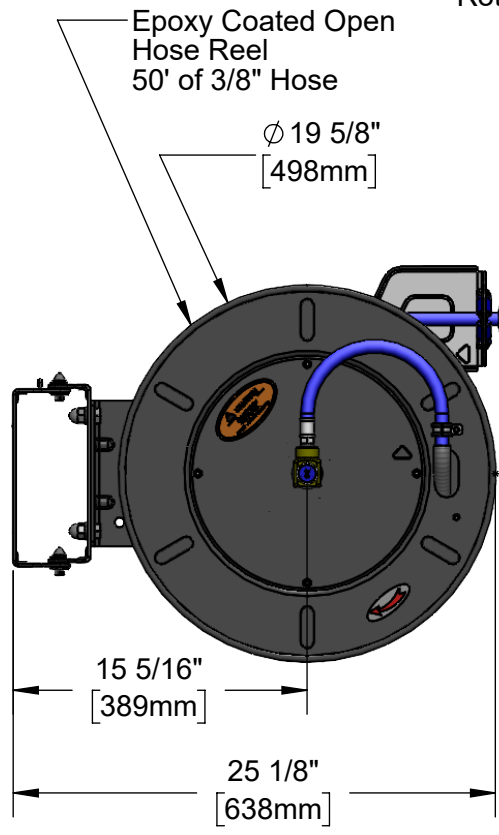
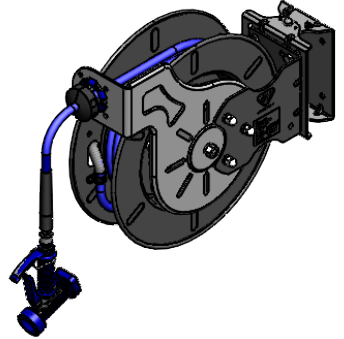
Architect/Engineer \_\_\_\_\_



Mounting Hardware Included for Hose Reel to Bracket

3/8" NPT Female Inlet (Left Side of Reel)

Universal EasyInstall Stainless Steel Wall Mount Swing Bracket w/ 100° of Rotation

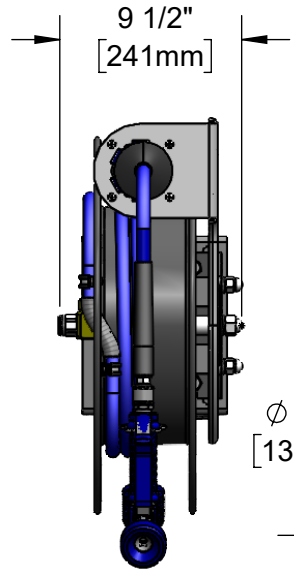


Epoxy Coated Open Hose Reel  
 50' of 3/8" Hose

Ø 19 5/8" [498mm]

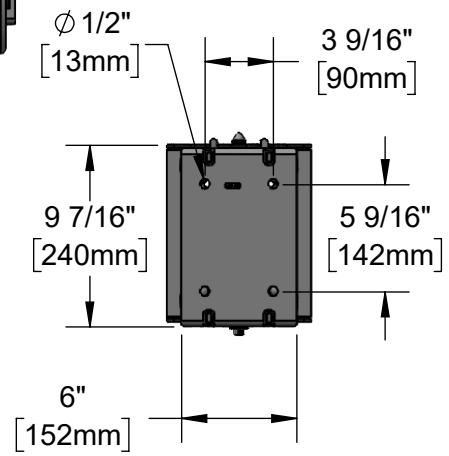
15 5/16" [389mm]

25 1/8" [638mm]



9 1/2" [241mm]

Mounting Hole Details



MV-2522-24  
 Stainless Steel Front Trigger Water Gun w/5/16" Orifice

019652-40  
 3/8" NPT Live Swivel

Product Specifications:  
 3/8" x 50' Epoxy Coated Open Reel, Stainless Steel Front Trigger Water Gun, w/ Swivel & 5/16" Orifice, 100 Degree EasyInstall Stainless Steel Swing Bracket w/ Reel-to-Bracket Mounting Hardware

Product Compliance:  
 NSF 61 Exempt (Non-Potable)  
 EPAAct 2005 Non-Compliant (PRSV)



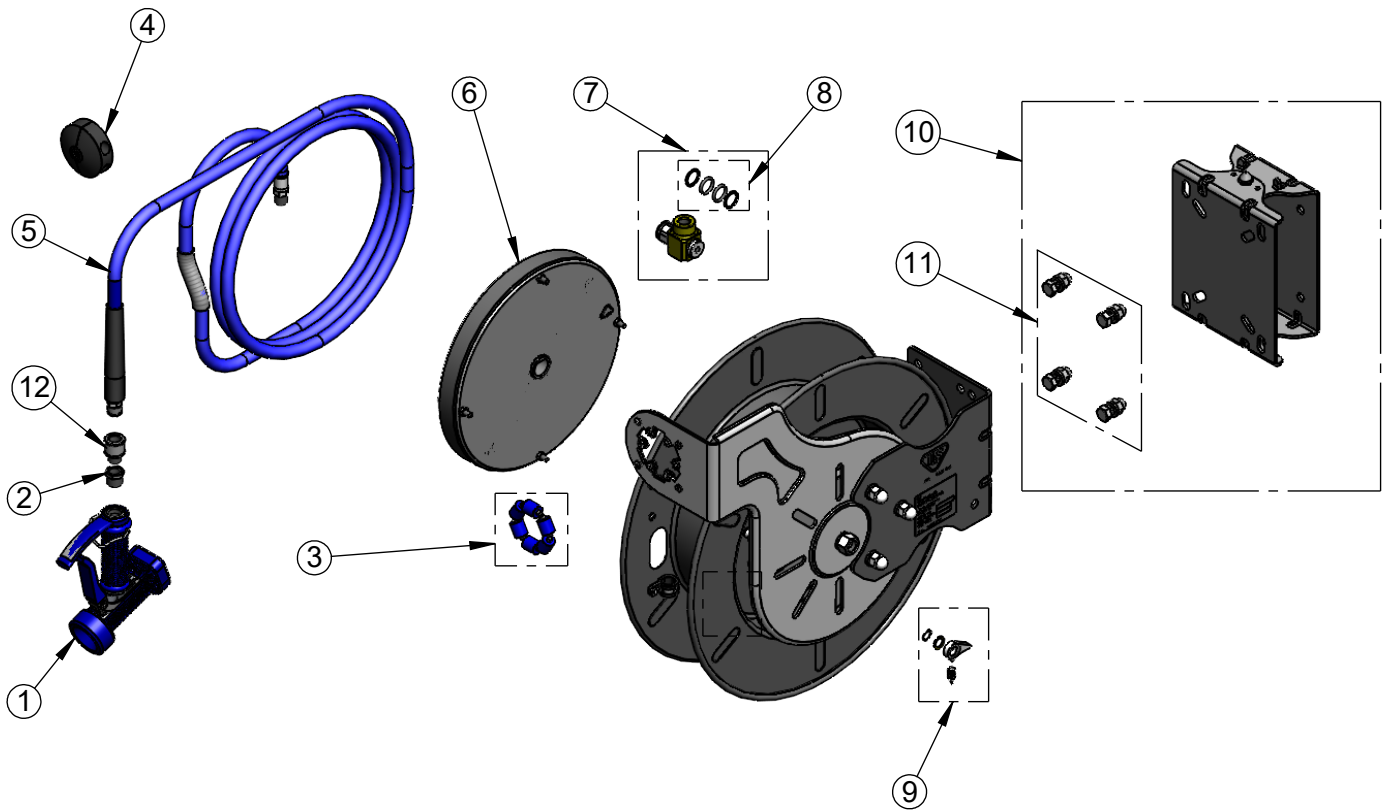
**T&S BRASS AND BRONZE WORKS, INC.**  
 2 Saddleback Cove / P.O. Box 1088  
 Travelers Rest, SC 29690

Model No.  
**B-7242-05-ESB**

Item No.

Travelers Rest, SC: 800-476-4103 • Simi Valley, CA: 800-423-0150 • Fax: 864-834-3518 • www.tsbrass.com

ITEM NO.	SALES NO.	DESCRIPTION
1	MV-2522-24	Front Trigger Gun, 5/16" Orifice
2	001359-40	Hex Bushing, 1/2" NPT Male x 3/8" NPT Female
3	014938-45	Body, Water Gun
4	014949-45	3/8" Hose Rubber Stop
5	014942-45	3/8" x 50' Hose Replacement Kit
6	014934-45	Large Coated Spring
7	019561-45	Actuator Handle
8	019473-45	Bumper Cover
9	014940-45	Handle Cover
10	G019430-45	Universal EasyInstall Stainless Steel Swing Bracket
11	019191-45K	Hose Reel Bracket Mounting Kit
12	019652-40	Spring, Compression



**Product Specifications:**  
 3/8" x 50' Epoxy Coated Open Reel, Stainless Steel Front Trigger Water Gun, w/ Swivel & 5/16" Orifice, 100 Degree EasyInstall Stainless Steel Swing Bracket w/ Reel-to-Bracket Mounting Hardware

**Product Compliance:**  
 NSF 61 Exempt (Non-Potable)  
 EPA Act 2005 Non-Compliant (PRSV)