



**T&S BRASS AND BRONZE WORKS, INC.**  
 2 Saddleback Cove / P.O. Box 1088  
 Travelers Rest, SC 29690

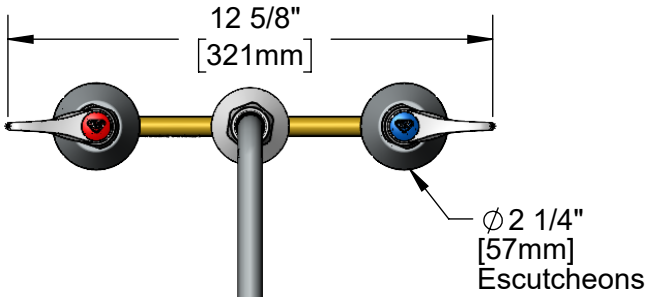
Model No.  
**B-2855-060X-VR**

Item No.

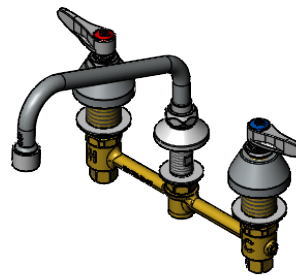
Travelers Rest, SC: 800-476-4103 • Simi Valley, CA: 800-423-0150 • Fax: 864-834-3518 • www.tsbrass.com

This Space for Architect/Engineer Approval

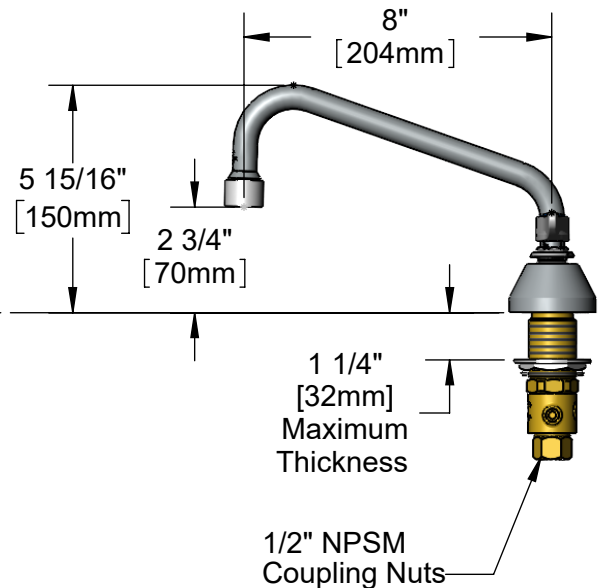
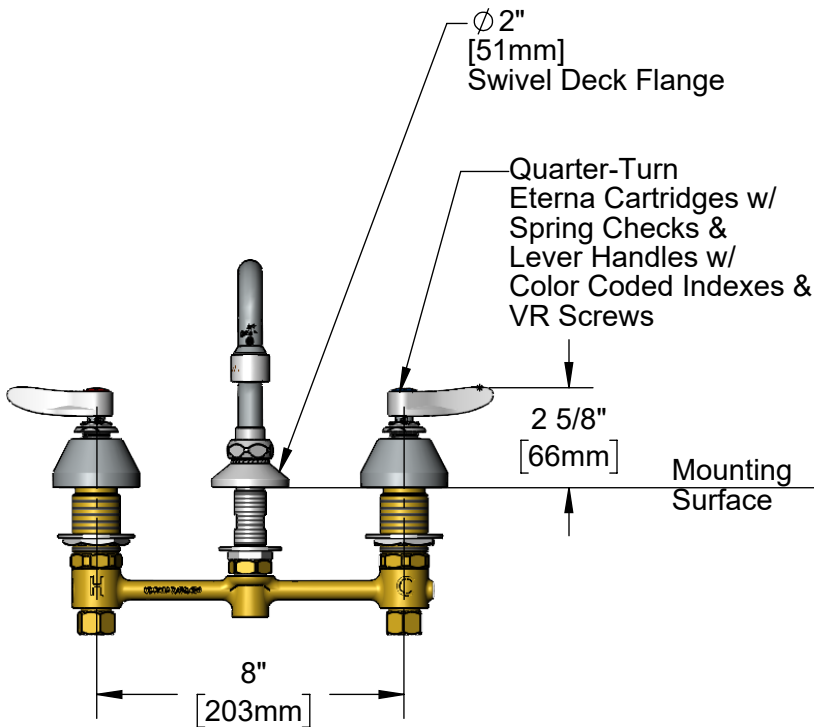
Job Name \_\_\_\_\_ Date \_\_\_\_\_  
 Model Specified \_\_\_\_\_ Quantity \_\_\_\_\_  
 Customer/Wholesaler \_\_\_\_\_  
 Contractor \_\_\_\_\_  
 Architect/Engineer \_\_\_\_\_



060X-LAM-VR  
 8" Swing Nozzle w/  
 2.2 GPM VR Laminar Device.  
 Rigid Conversion Requires  
 014200-45 Lock Washer  
 (Included)



**ADA Compliant**



**Rough-In Requirement:**  
 $\phi$  1" [25mm] for Center Shank  
 $\phi$  1 1/2" [38mm] for Hot/Cold Side

**Product Specifications:**  
 8" Concealed Widespread EasyInstall Mixing Faucet, Lever Handles w/  
 VR Screws, Quarter-Turn Eterna Cartridges w/ Spring Checks, 8" Swing  
 Nozzle w/ 2.2 GPM VR Laminar Flow Device and 1/2" NPT Male Inlets

**Product Compliance:**  
 ASME A112.18.1 / CSA B125.1  
 NSF 61 - Section 9  
 NSF 372 (Low Lead Content)  
 ANSI A117.1 (ADA)



# T&S BRASS AND BRONZE WORKS, INC.

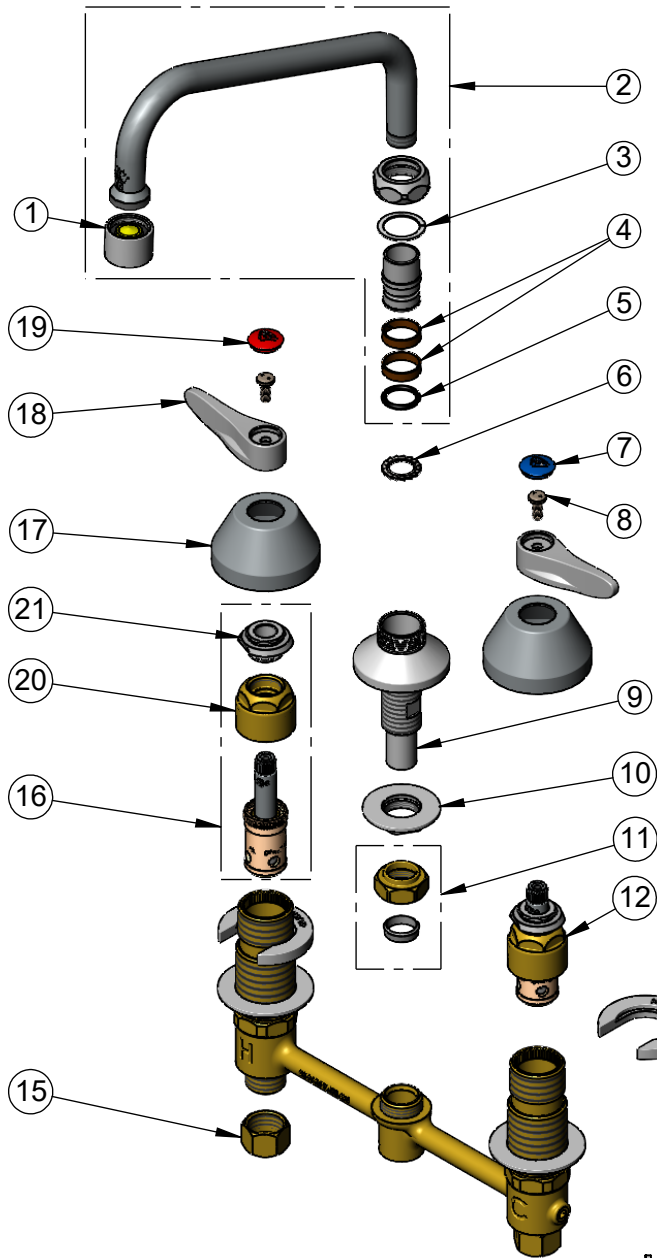
2 Saddleback Cove / P.O. Box 1088  
Travelers Rest, SC 29690

Model No.

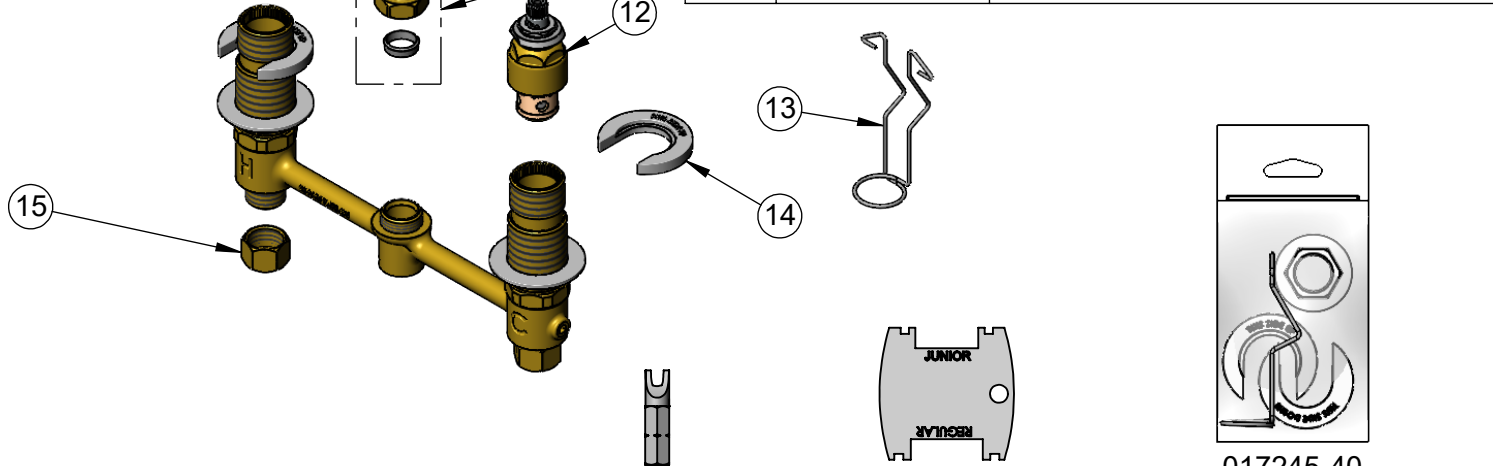
**B-2855-060X-VR**

Item No.

Travelers Rest, SC: 800-476-4103 • Simi Valley, CA: 800-423-0150 • Fax: 864-834-3518 • www.tsbrass.com



ITEM NO.	SALES NO.	DESCRIPTION
1	B-0199-21-VRF	2.2 GPM VR Laminar Flow Device
2	060X-LAM-VR	8" Swing Nozzle w/ 2.2 GPM VR Laminar Flow Devicer
3	009538-45	Swivel Washer
4	011429-45	Swivel Sleeves (2)
5	001074-45	O-Ring
6	014200-45	Star Washer, Anti-Rotation
7	018506-19NS	Blue Button Index, Press-in
8	VRS-2	VR Wrist Action Handle Screw (2) w/ Spanner Bit
9	016754-40	EasyInstall CWS Swivel Center Shank
10	016742-45	Center Flange Nut
11	016745-45	Compression Nut & Fitting
12	016752-40NS	EasyInstall, CWS Quarter-Turn Eterna Cartridge w/ Spring Check, LTC
13	016777-45	CWS Hanger
14	016749-45	Sidebody C-Washer
15	000958-20	Coupling Nut
16	016753-40NS	EasyInstall, CWS Quarter-Turn Eterna Cartridge w/ Spring Check, RTC
17	001257-40NS	Bell Escutcheon
18	001638-45NS	Lever Handle (New Style)
19	001193-19NS	Red Button Index, Press-in
20	016743-20	Eterna Bonnet - EXTENDED
21	009002-40NS	Packing Assembly (New Style)



014075-45 # Spanner Bit 10  
 015425-45 Vandal Resistant Key  
 017245-40 Installation Repair Kit Includes #10, #13, & (2)#14

**Product Specifications:**  
 8" Concealed Widespread EasyInstall Mixing Faucet, Lever Handles w/ VR Screws, Quarter-Turn Eterna Cartridges w/ Spring Checks, 8" Swing Nozzle w/ 2.2 GPM VR Laminar Flow Device and 1/2" NPT Male Inlets

**Product Compliance:**  
 ASME A112.18.1 / CSA B125.1  
 NSF 61 - Section 9  
 NSF 372 (Low Lead Content)  
 ANSI A117.1 (ADA)