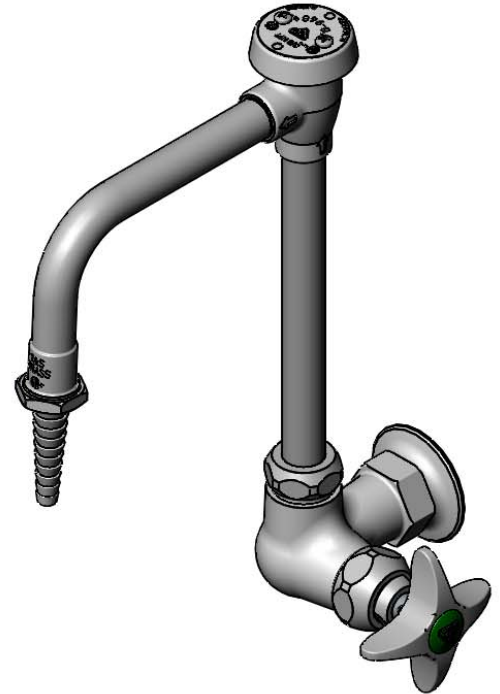
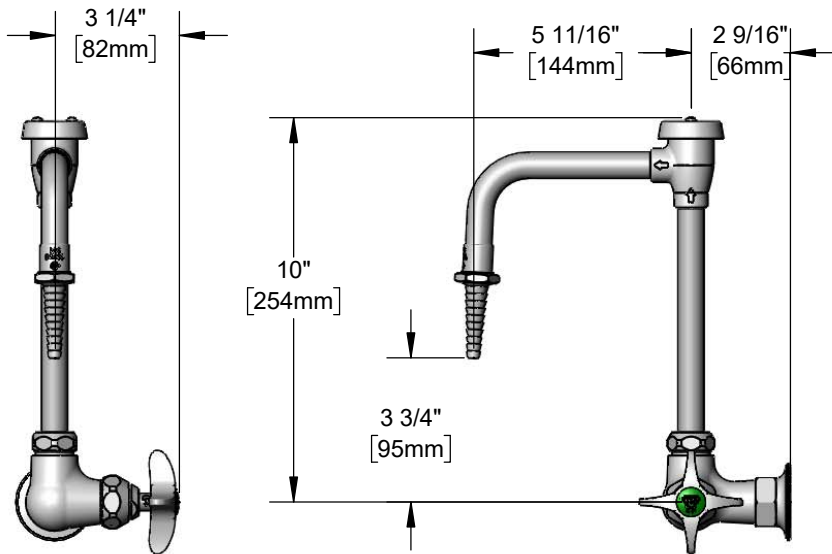




Architect/Engineering Specifications:

Single hole wall mount mixing faucet with polished chrome plated brass body, polished chrome plated swivel nozzle with vacuum breaker and serrated tip outlet with 0.5 GPM flow control, compression cartridge with spring check, 4-arm lab handle and 1/2" NPT female inlet. Certified to ASME A112.18.1 / CSA B125.1, NSF 61-Section 9, NSF 372 and ASSE 1001. Meets ADA ANSI/ICC A117.1 requirements.

Job Name _____
 Model Specified _____ Quantity _____
 Variations Specified _____
 Date _____



Features & Benefits:

- Single hole wall mount mixing faucet w/ polished chrome plated brass body
- Polished chrome plated vacuum breaker nozzle
- Serrated tip w/ 0.5 GPM flow control & washer
- Lock washer provided for rigid application
- 3/8" NPT vacuum breaker
- Quarter-turn Eterna compression cartridge w/ spring check
- 4-arm lab handle w/ color coded index
- 1/2" NPT female inlet w/ ϕ 2" flange
- Material: Polished chrome plated brass body, tubular spout and chrome plated metal handle

Product Compliance:

- ASME A112.18.1 / CSA B125.1
- NSF 61 - Section 9
- NSF 372 (Low Lead Content)
- ANSI A117.1 (ADA)
- ASSE 1001 (VB)

Warranty: One Year (Limited)

Performance Data:

- Pressure: 20 - 125 psi
- Temperature: 40 °F - 140 °F
- Flow Rate: 0.5 GPM @ 60 psi



ADA Compliant

Optional Handles

- 4" Wrist Action
- Lever
- 4-Arm (Standard)

Optional Cartridges With Checks

- Quarter-Turn Cerama w/ Check Valve
- Quarter-Turn Eterna w/ Spring Check (Standard)

