



# Swivel Sink and Pantry Faucets

## 5F-1WLX05

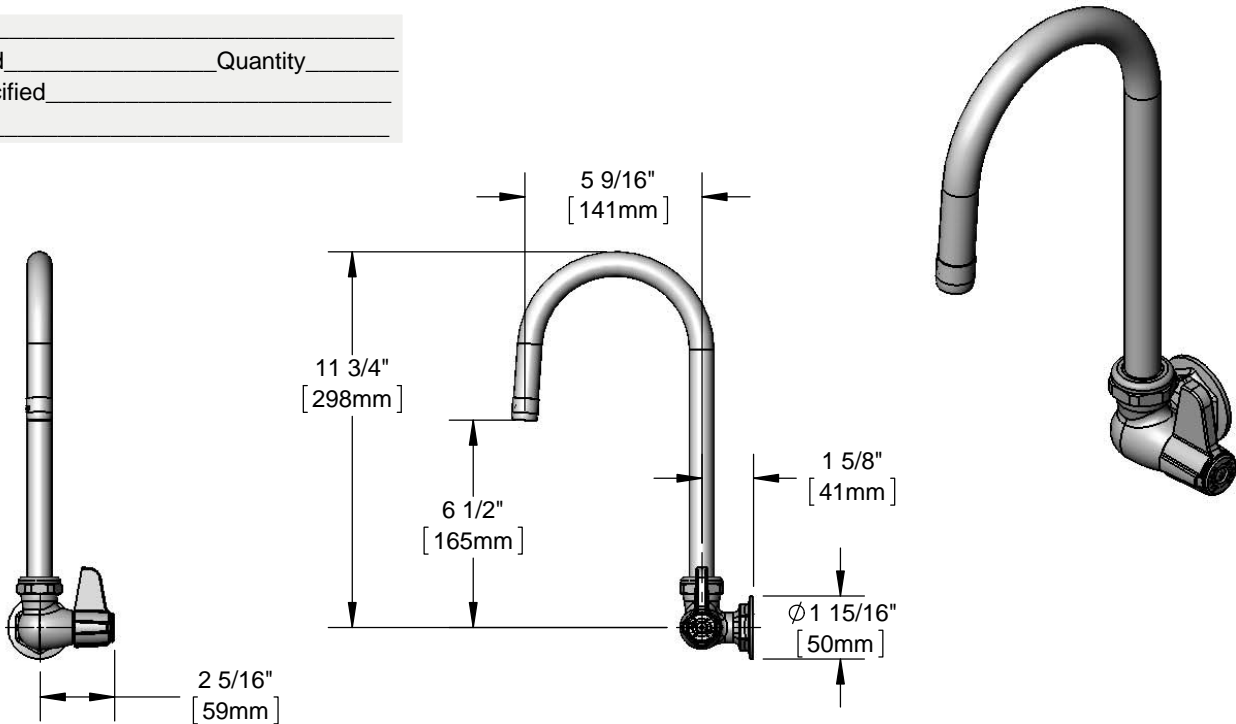
TAG:

### Wall Mount Faucet

#### Architect/Engineering Specifications:

Single hole single temperature wall mount faucet with polished chrome plated brass body, 5 9/16" swivel gooseneck, laminar flow device, ceramic cartridge, lever handle and 1/2" NPT female inlet. Certified to ASME A112.18.1\CSA B125.1, NSF 61-Section 9 and NSF 372. Meets ADA ANSINCC A117.1 requirements.

Job Name \_\_\_\_\_  
 Model Specified \_\_\_\_\_ Quantity \_\_\_\_\_  
 Variations Specified \_\_\_\_\_  
 Date \_\_\_\_\_



#### Features & Benefits:

- Single hole single temperature wall mount faucet w/ polished chrome plated brass body
- 5 9/16" swivel gooseneck w/ laminar flow device
- Ceramic cartridge
- equip lever handle
- 1/2" NPT female inlet
- Material: Polished chrome plated brass body and chrome plated metal handle

#### Product Compliance:

- ASME A112.18.1 / CSA B125.1
- NSF 61 - Section 9
- NSF 372 (Low Lead Content)
- ANSI A117.1 (ADA)

**Warranty:** One Year (Limited)

#### Performance Data:

- Pressure: 20 - 125 psi
- Temperature: 40 °F - 140 °F
- Flow Rate: 4.0 GPM @ 60 psi



ADA Compliant



equip Foodservice Accessories



• 2 Saddleback Cove • Travelers Rest, SC 29690  
Ph 800-891-4808 • Fax 800-868-0084  
www.tsbrass.com

Date: 06/09/16