



T&S BRASS AND BRONZE WORKS, INC.

2 Saddleback Cove / P.O. Box 1088
Travelers Rest, SC 29690

Model No.

BF-0299-24DJ

Item No.

Travelers Rest, SC: 800-476-4103 • Simi Valley, CA: 800-423-0150 • Fax: 864-834-3518 • www.tsbrass.com



ADA Compliant

This Space for Architect/Engineer Approval

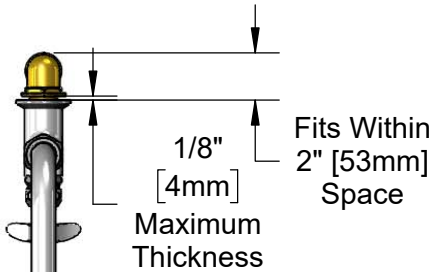
Job Name _____ Date _____

Model Specified _____ Quantity _____

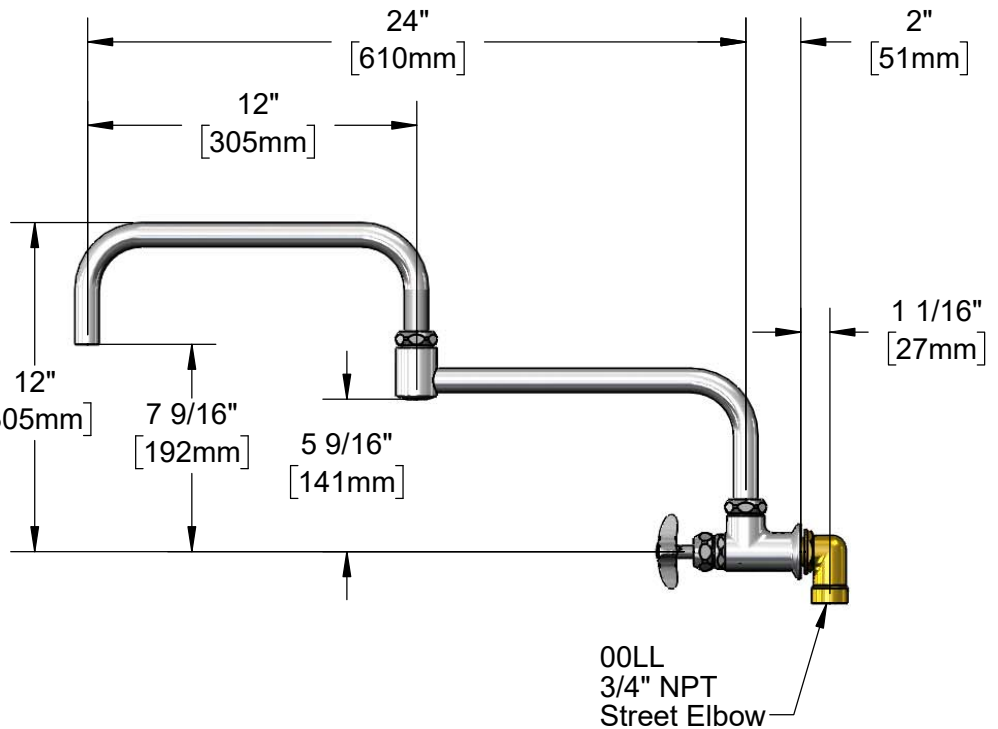
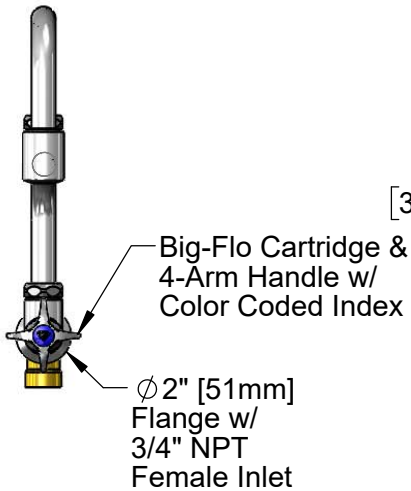
Customer/Wholesaler _____

Contractor _____

Architect/Engineer _____



116X
24" Big-Flo Double
Joint Nozzle w/ Plain End.
Converts to Rigid w/
016807-45
Lock Washer (Included)



Rough-In Requirement:
Ø 1 1/4" [32mm] Hole

Product Specifications:
Single Wall Mount Big-Flo Faucet w/ 24" Double Joint Nozzle,
4-Arm Handle & 3/4" NPT Street Elbow

Product Compliance:
ASME A112.18.1 / CSA B125.1
NSF 61 - Section 9
NSF 372 (Low Lead Content)
ANSI A117.1 (ADA)



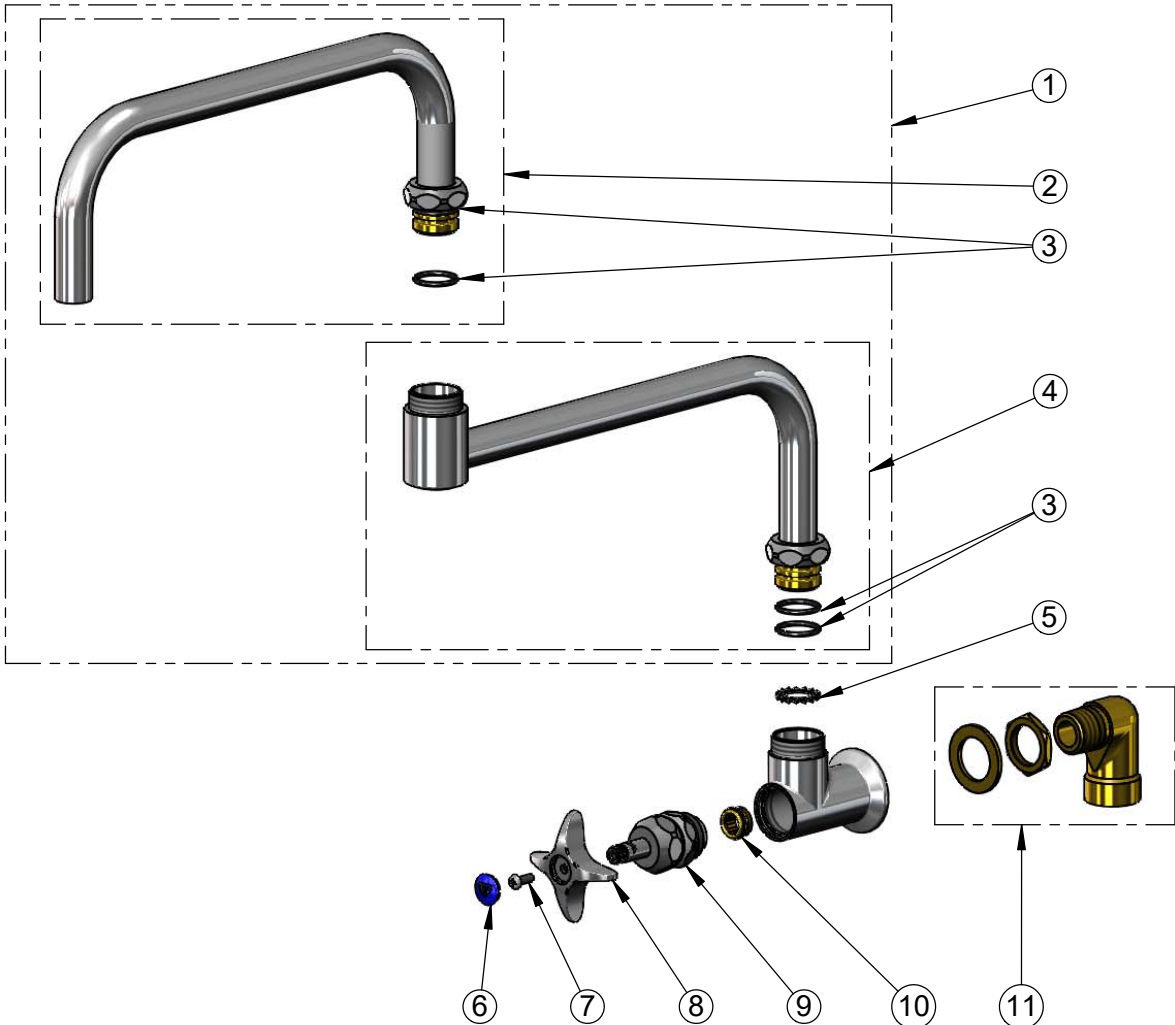
T&S BRASS AND BRONZE WORKS, INC.
 2 Saddleback Cove / P.O. Box 1088
 Travelers Rest, SC 29690

Model No.
BF-0299-24DJ

Item No.

Travelers Rest, SC: 800-476-4103 • Simi Valley, CA: 800-423-0150 • Fax: 864-834-3518 • www.tsbrass.com

ITEM NO.	SALES NO.	DESCRIPTION
1	116X	24" Big-Flo Double Joint Nozzle
2	117X	12" Front Section
3	001068-45	O-ring
4	118X	12" Back Section
5	016807-45	Serrated Lock Washer
6	018506-19NS	Blue Button Index, Press-in
7	000925-45	Lab Handle Screw
8	002521-45NS	4-Arm Handle (New Style)
9	006482-40NS	Big-Flo Cartridge, RTC
10	000764-20	Seat, Big-Flo
11	00LL	3/4" NPT Street Elbow Inlet



Product Specifications:
 Single Wall Mount Big-Flo Faucet w/ 24" Double Joint Nozzle,
 4-Arm Handle & 3/4" NPT Street Elbow

Product Compliance:
 ASME A112.18.1 / CSA B125.1
 NSF 61 - Section 9
 NSF 372 (Low Lead Content)
 ANSI A117.1 (ADA)