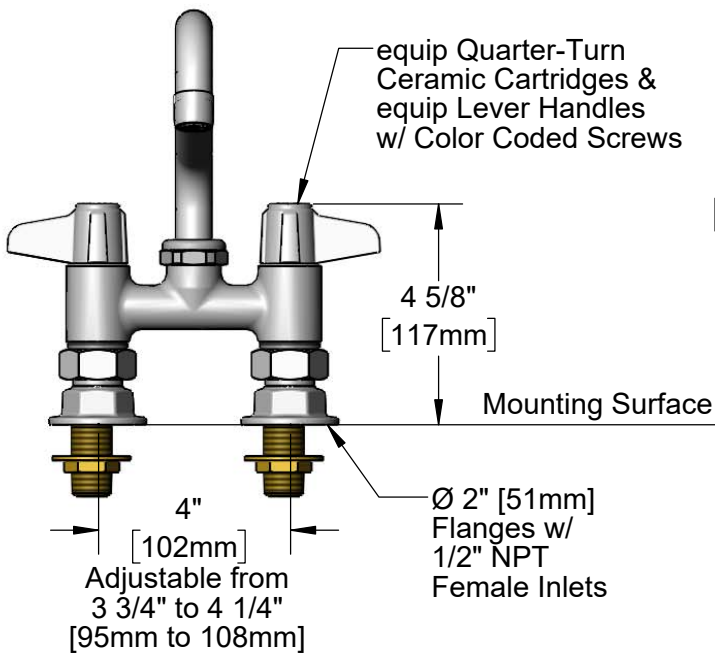
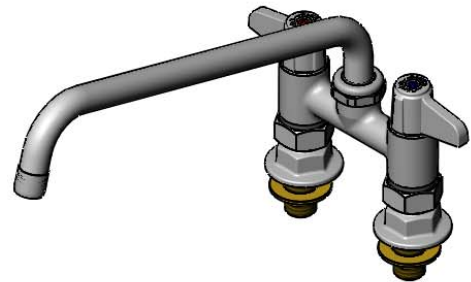



ADA Compliant

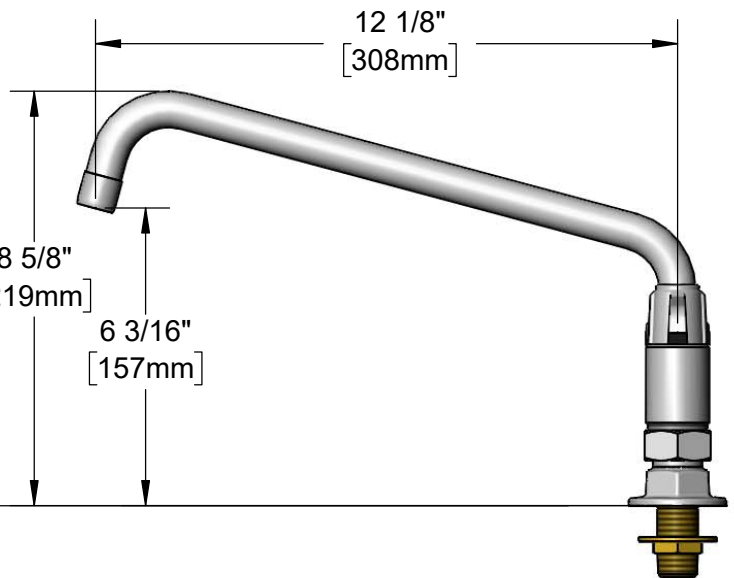
This Space for Architect/Engineer Approval

Job Name _____ Date _____
 Model Specified _____ Quantity _____
 Customer/Wholesaler _____
 Contractor _____
 Architect/Engineer _____

5SP-12-F15
 12" equip Swing Nozzle
 w/ 1.5 GPM Aerator.
 Rigid Conversion Requires
 014200-45 Lock Washer
 (Sold Separately)



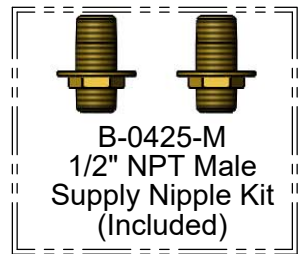
Rough-In Requirement:
 (2) \varnothing 1" [25mm] Mounting Holes



equip Quarter-Turn
 Ceramic Cartridges &
 equip Lever Handles
 w/ Color Coded Screws

Mounting Surface

\varnothing 2" [51mm]
 Flanges w/
 1/2" NPT
 Female Inlets



B-0425-M
 1/2" NPT Male
 Supply Nipple Kit
 (Included)

Model Number

5F-4DLS12-F15

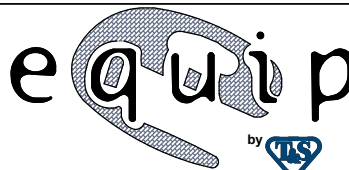
Product Specifications:

4" Deck Mount Mixing Faucet w/ equip Quarter-Turn Ceramic Cartridges, equip Lever Handles, 12 1/8" equip Swing Nozzle with 1.5 GPM Aerator & 1/2" NPT Male Supply Nipple Kit

Product Compliance:

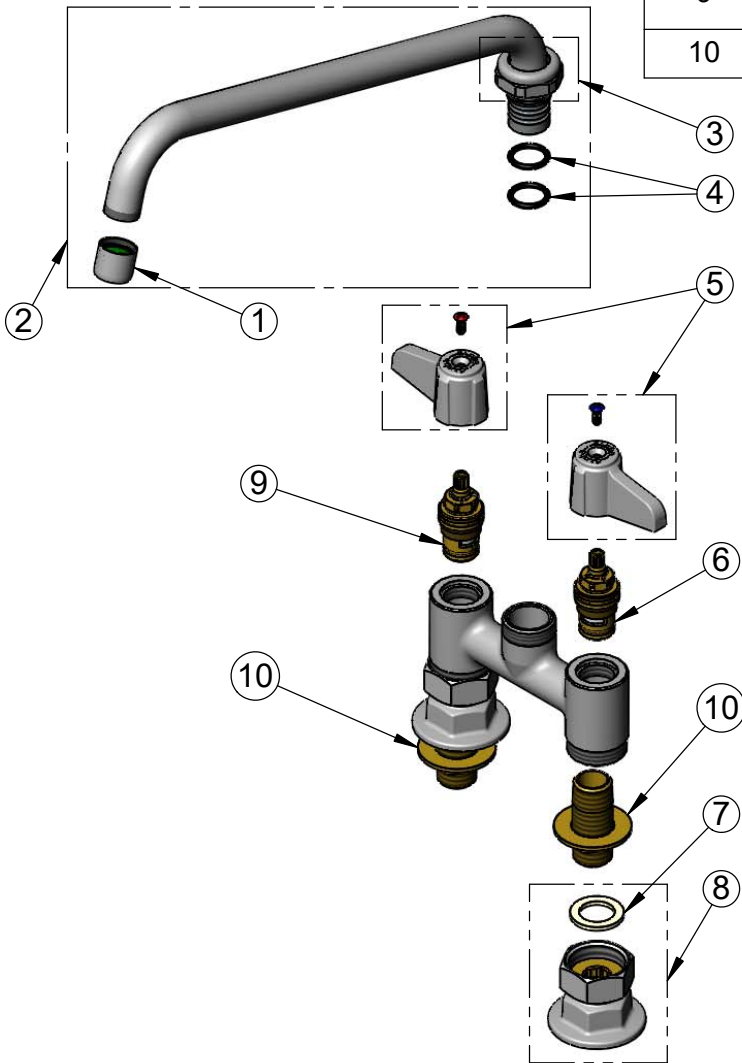
ASME A112.18.1 / CSA B125.1
 NSF 61 - Section 9
 NSF 372 (Low Lead Content)
 ANSI A117.1 (ADA)

equip
 Foodservice
 Accessories



2 Saddleback Cove, P.O. Box 1088
 Travelers Rest, South Carolina 29690
 Phone: 800.891.4808 Fax: 800.868.0084
 equip.tsbrass.com

ITEM NO.	SALES NO.	DESCRIPTION
1	SP-F15	1.5 GPM Aerator, 3/4-27 UN Female
2	5SP-12-F15	12 1/8" Swing Nozzle
3	013839-25	equip Swivel Nut
4	013848-45	O-Ring
5	5-HDL-L	equip Lever Handle w/ Color Coded Screws
6	013788-45	equip Quarter-Turn Ceramic Cartridge, LTC (Blue)
7	001019-45	Coupling Nut Washer
8	00AA	1/2" NPT Female Eccentric Flange
9	013787-45	equip Quarter-Turn Ceramic Cartridge, RTC (Red)
10	B-0425-M	1/2" NPT Male Supply Nipple Kit (2)



Model Number

5F-4DLS12-F15

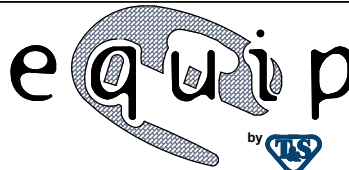
Product Specifications:

4" Deck Mount Mixing Faucet w/ equip Quarter-Turn Ceramic Cartridges, equip Lever Handles, 12 1/8" equip Swing Nozzle with 1.5 GPM Aerator & 1/2" NPT Male Supply Nipple Kit

Product Compliance:

ASME A112.18.1 / CSA B125.1
NSF 61 - Section 9
NSF 372 (Low Lead Content)
ANSI A117.1 (ADA)

equip
Foodservice
Accessories



2 Saddleback Cove, P.O. Box 1088
Travelers Rest, South Carolina 29690
Phone: 800.891.4808 Fax: 800.868.0084
equip.tsbrass.com