



ADA Compliant

This Space for Architect/Engineer Approval

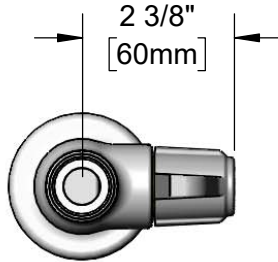
Job Name _____ Date _____

Model Specified _____ Quantity _____

Customer/Wholesaler _____

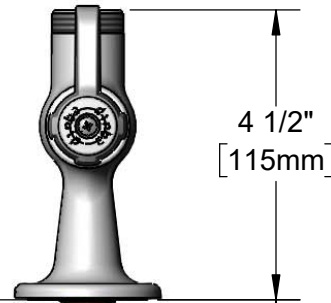
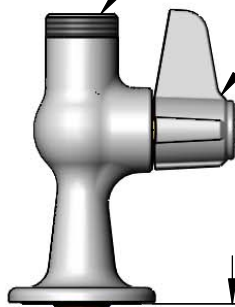
Contractor _____

Architect/Engineer _____



Swivel Outlet Accepts equip Swing Nozzles. Rigid Conversion Requires 014200-45 Lock Washer (Sold Separately)

Quarter-Turn Ceramic Cartridge & equip Lever Handle



Mounting Surface

4 1/2" [115mm]

2 7/16" [62mm]

1 5/8" [41mm] Maximum Thickness

Ø 2 5/16" [58mm]

1/2" NPSM Male Inlet

Rough-In Requirement:
Ø 1" [25mm] Mounting Hole

Model Number

5F-1SLX00

Product Specifications:

Single Supply Deck Mount Faucet, Less Nozzle, Quarter-Turn Ceramic Cartridge, equip Lever Handle & 1/2" NPSM Male Inlet

Product Compliance:

ASME A112.18.1 / CSA B125.1
NSF 61 - Section 9
NSF 372 (Low Lead Content)
ANSI A117.1 (ADA)

equip
Foodservice
Accessories



2 Saddleback Cove, P.O. Box 1088
Travelers Rest, South Carolina 29690
Phone: 800.891.4808 Fax: 800.868.0084
equip.tsbrass.com

Drawn: MRC

Checked: LSA

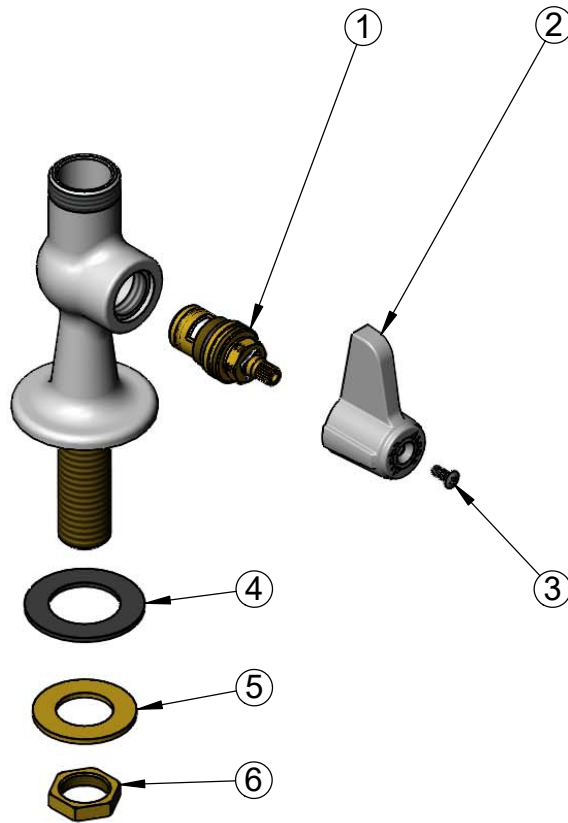
Approved: JHB

Date: 06/11/21

Scale: 1:3

Sheet: 1 of 2

ITEM NO.	SALES NO.	DESCRIPTION
1	013787-45	equip Quarter-Turn Ceramic Cartridge, RTC
2	5-HDL-L	equip Lever Handle
3	013849-45	Plain Handle Screw (10)
4	014612-45	Deck Seal
5	000999-45	Brass Lock Washer
6	002954-45	Shank Lock Nut



Model Number
5F-1SLX00

Product Specifications:
Single Supply Deck Mount Faucet, Less Nozzle, Quarter-Turn Ceramic Cartridge, equip Lever Handle & 1/2" NPSM Male Inlet

Product Compliance:
ASME A112.18.1 / CSA B125.1
NSF 61 - Section 9
NSF 372 (Low Lead Content)
ANSI A117.1 (ADA)

equip
Foodservice
Accessories



2 Saddleback Cove, P.O. Box 1088
Travelers Rest, South Carolina 29690
Phone: 800.891.4808 Fax: 800.868.0084
equip.tsbrass.com