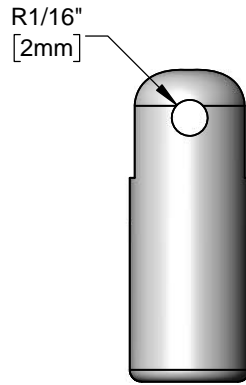
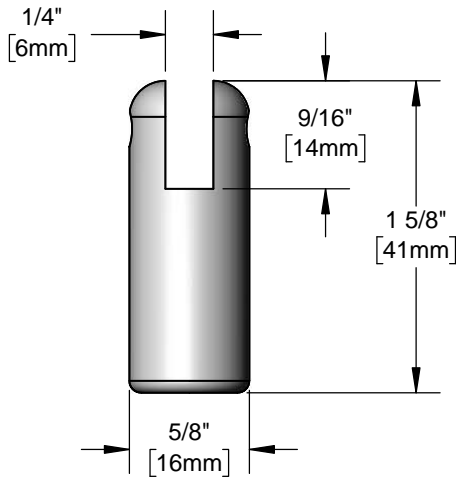
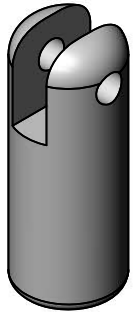




Architect/Engineering Specifications:

Rough chrome plated clevis support rod with 7/16-14 female thread.

Job Name _____
 Model Specified _____ Quantity _____
 Variations Specified _____
 Date _____



Features & Benefits:

- Clevis support rod
- 7/16-14 female thread
- Material: Rough chrome plated brass

Product Compliance:

- N/A

Warranty: One Year (Limited)

Performance Data:

- N/A

