



# T&S BRASS AND BRONZE WORKS, INC.

2 Saddleback Cove / P.O. Box 1088  
Travelers Rest, SC 29690

Model No.

**B-0121-12-CRBJ**

Item No.

Travelers Rest, SC: 800-476-4103 • Simi Valley, CA: 800-423-0150 • Fax: 864-834-3518 • www.tsbrass.com

This Space for Architect/Engineer Approval

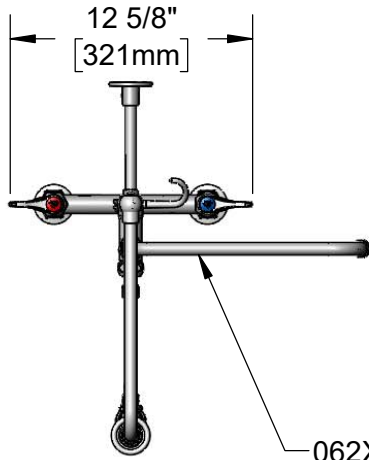
Job Name \_\_\_\_\_ Date \_\_\_\_\_

Model Specified \_\_\_\_\_ Quantity \_\_\_\_\_

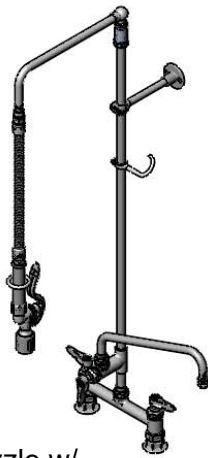
Customer/Wholesaler \_\_\_\_\_

Contractor \_\_\_\_\_

Architect/Engineer \_\_\_\_\_



062X  
12" Swing Nozzle w/  
Stream Regulator Outlet



Overhead  
Swivel Arm

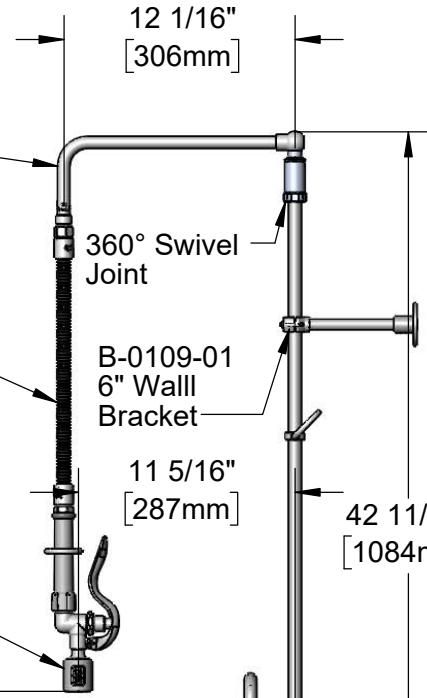
Items Not Shown  
For Clarity

20" Flexible Stainless  
Steel Hose

Finger Hook

B-0107-J  
1.07 GPM  
Spray Valve

3/8" NPT x 32" Riser

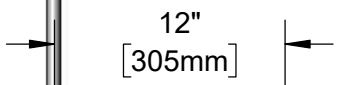


360° Swivel  
Joint

B-0109-01  
6" Wall  
Bracket

11 5/16"  
[287mm]

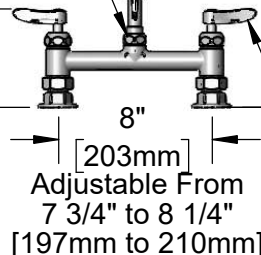
42 11/16"  
[1084mm]



12"  
[305mm]

EasyInstall  
Locknut &  
Bushing

5 1/8"  
[130mm]



Adjustable From  
7 3/4" to 8 1/4"  
[197mm to 210mm]

Quarter-Turn Cerama  
Cartridges w/ Check Valves  
& Lever Handles  
w/ Color Coded Indexes

14 1/2"  
[368mm]

11 3/8"  
[288mm]

13 9/16"  
[344mm]

6 7/8"  
[175mm]

Mounting  
Surface

Ø 2" [51mm]  
Flanges w/  
1/2" NPT  
Female Inlets

**Product Specifications:**

Pre-Rinse Unit: 8" Deck Mount Mixing Faucet, Quarter-Turn Cerama Cartridges w/ Check Valves, Lever Handles, Add-On Faucet w/ 12" Swing Nozzle, Overhead Swivel Arm, 20" Flexible Stainless Steel Hose, 1.07 GPM Spray Valve, 32" Riser, 6" Wall Bracket & 1/2" NPT Female Inlets

**Product Compliance:**

ASME A112.18.1 / CSA B125.1  
NSF 61 - Section 9  
NSF 372 (Low Lead Content)  
2019 DOE PRSV - Class II



# T&S BRASS AND BRONZE WORKS, INC.

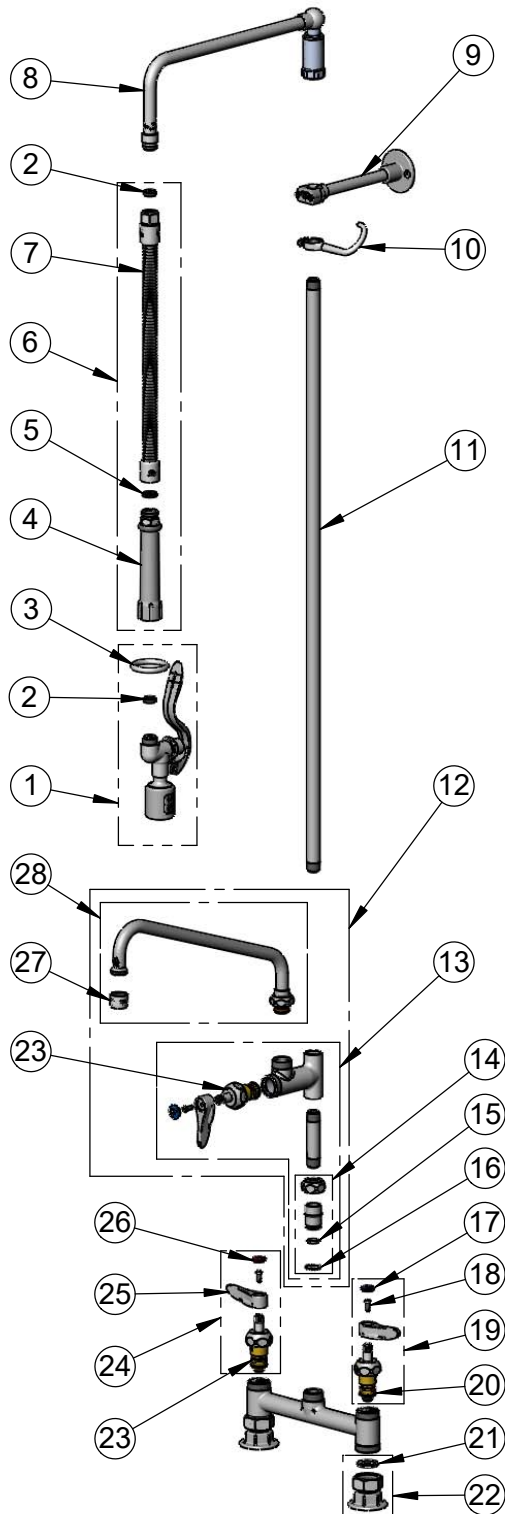
2 Saddleback Cove / P.O. Box 1088  
Travelers Rest, SC 29690

Model No.

**B-0121-12-CRBJ**

Item No.

Travelers Rest, SC: 800-476-4103 • Simi Valley, CA: 800-423-0150 • Fax: 864-834-3518 • www.tsbrass.com



ITEM NO.	SALES NO.	DESCRIPTION
1	B-0107-J	1.07 GPM Spray Valve
2	010476-45	#27 Washer
3	000907-45	Spray Valve Hold Down Ring
4	002987-40	Grip Handle
5	001014-45	Washer, B-0100 Hose Barrel
6	B-0020-H	20" Flexible Stainless Steel Hose
7	B-0020-H2A	20" Flexible Stainless Steel Hose Less Handle
8	002882-40	12" Swivel L-Tube
9	B-0109-01	6" Wall Bracket
10	004R	Finger Hook
11	000376-40	3/8" NPT x 32" Riser
12	B-0156-EZ	EasyInstall Add-On Faucet, Eterna Cartridge, Lever Handle, 12" Swing Nozzle
13	B-0155-LNEZ	EasyInstall Add-On Faucet, Eterna Cartridge & Lever Handle, Less Nozzle
14	EZ-K	EasyInstall Kit
15	006562-45	O-ring
16	014200-45	Star Washer, Anti-Rotation
17	018506-19NS	Blue Button Index, Press-in
18	000925-45	Lab Handle Screw
19	012447-25NS	Quarter-Turn Cerama Cartridge w/ Check Valve, Handle, Blue Index & Screw, LTC
20	012395-25NS	Quarter-Turn Cerama Cartridge w/ Check Valve, LTC
21	001019-45	Coupling Nut Washer
22	00AA	1/2" NPT Female Eccentric Flange
23	012394-25NS	Quarter-Turn Cerama Cartridge w/ Check Valve, RTC
24	012446-25NS	Quarter-Turn Cerama Cartridge w/ Check Valve, Handle, Red Index & Screw, RTC
25	001638-45NS	Lever Handle (New Style)
26	001193-19NS	Red Button Index, Press-in
27	B-PT	Full Flow Stream Regulator, 55/64-27
28	062X	12" Swing Nozzle

**Product Specifications:**

Pre-Rinse Unit: 8" Deck Mount Mixing Faucet, Quarter-Turn Cerama Cartridges w/ Check Valves, Lever Handles, Add-On Faucet w/ 12" Swing Nozzle, Overhead Swivel Arm, 20" Flexible Stainless Steel Hose, 1.07 GPM Spray Valve, 32" Riser, 6" Wall Bracket & 1/2" NPT Female Inlets

**Product Compliance:**

ASME A112.18.1 / CSA B125.1  
NSF 61 - Section 9  
NSF 372 (Low Lead Content)  
2019 DOE PRSV - Class II