



**T&S BRASS AND BRONZE WORKS, INC.**  
 2 Saddleback Cove / P.O. Box 1088  
 Travelers Rest, SC 29690

Model No.  
**B-3990-5X**

Item No.

Travelers Rest, SC: 800-476-4103 • Simi Valley, CA: 800-423-0150 • Fax: 864-834-3518 • www.tsbrass.com

Sink Bowl Size (Front to Back)	Recommended Sales Model
18"	B-3990
20"	B-3990 or B-3990-3X
24"	B-3990-3X
28"	B-3990-5X

This Space for Architect/Engineer Approval

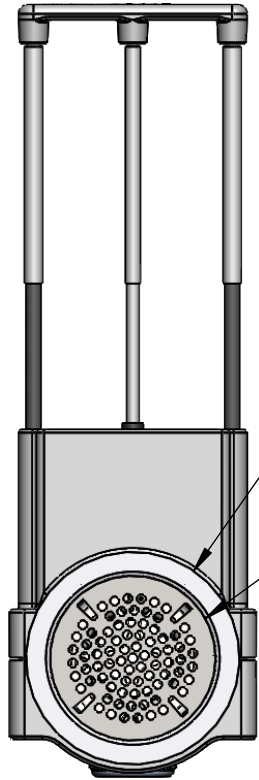
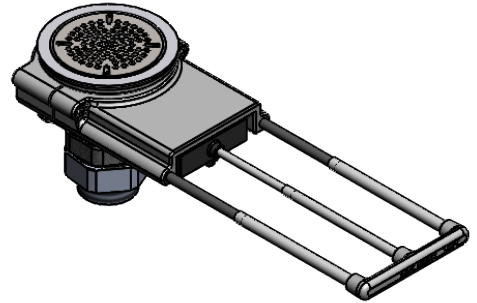
Job Name \_\_\_\_\_ Date \_\_\_\_\_

Model Specified \_\_\_\_\_ Quantity \_\_\_\_\_

Customer/Wholesaler \_\_\_\_\_

Contractor \_\_\_\_\_

Architect/Engineer \_\_\_\_\_



Ø 4 7/16"  
 [113mm]

Removable  
 Snap-in Strainer

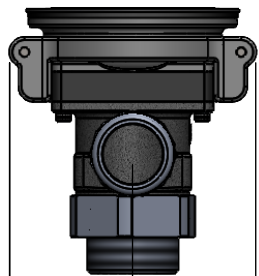
2 1/2"  
 [64mm]

10 3/4" [273mm] Closed  
 13 5/8" [346mm] Open

3"  
 [78mm]

1 5/8"  
 [41mm]

5 1/2"  
 [141mm]



2 9/16"  
 [65mm]

5 1/8"  
 [130mm]

Adapter Converts 2" NPT Male to  
 1-1/2" NPT Male. Remove  
 Adapter When 2" NPT Male  
 Thread is Needed

Product Specifications:  
 Modular Waste Drain Valve w/ Pull Handle, 3 1/2" Sink  
 Opening, 2" NPT Female x 1-1/2" NPT Male Adapter,  
 5" Handle Extension

Product Compliance:  
 ASME A112.18.2 / CSA B125.2



# T&S BRASS AND BRONZE WORKS, INC.

2 Saddleback Cove / P.O. Box 1088  
Travelers Rest, SC 29690

Model No.

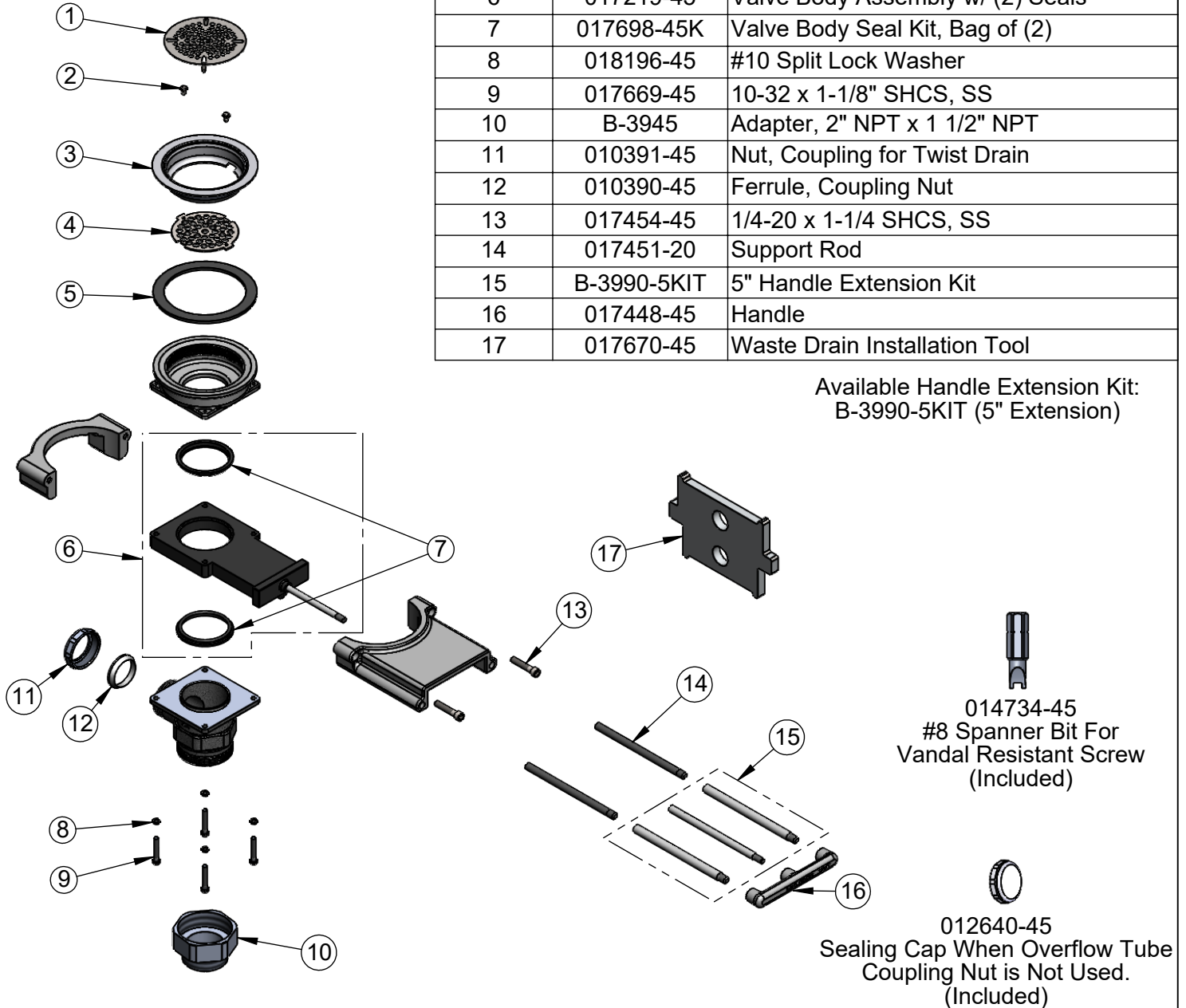
**B-3990-5X**

Item No.

Travelers Rest, SC: 800-476-4103 • Simi Valley, CA: 800-423-0150 • Fax: 864-834-3518 • www.tsbrass.com

ITEM NO.	SALES NO.	DESCRIPTION
1	010386-45	Strainer, 3 1/2" Snap-in Removable
2	016654-45	Vandal Resistant SS Screw
3	010384-45	Flange, 3 1/2" Face
4	017694-45	Guard, 3 1/2" Vandal Resistant Drain
5	010382-45	Gasket, 3 1/2" Face Flange
6	017219-45	Valve Body Assembly w/ (2) Seals
7	017698-45K	Valve Body Seal Kit, Bag of (2)
8	018196-45	#10 Split Lock Washer
9	017669-45	10-32 x 1-1/8" SHCS, SS
10	B-3945	Adapter, 2" NPT x 1 1/2" NPT
11	010391-45	Nut, Coupling for Twist Drain
12	010390-45	Ferrule, Coupling Nut
13	017454-45	1/4-20 x 1-1/4 SHCS, SS
14	017451-20	Support Rod
15	B-3990-5KIT	5" Handle Extension Kit
16	017448-45	Handle
17	017670-45	Waste Drain Installation Tool

Available Handle Extension Kit:  
B-3990-5KIT (5" Extension)



014734-45  
#8 Spanner Bit For  
Vandal Resistant Screw  
(Included)

012640-45  
Sealing Cap When Overflow Tube  
Coupling Nut is Not Used.  
(Included)

**Product Specifications:**  
Modular Waste Drain Valve w/ Pull Handle, 3 1/2" Sink Opening, 2" NPT Female x 1-1/2" NPT Male Adapter, 5" Handle Extension

**Product Compliance:**  
ASME A112.18.2 / CSA B125.2