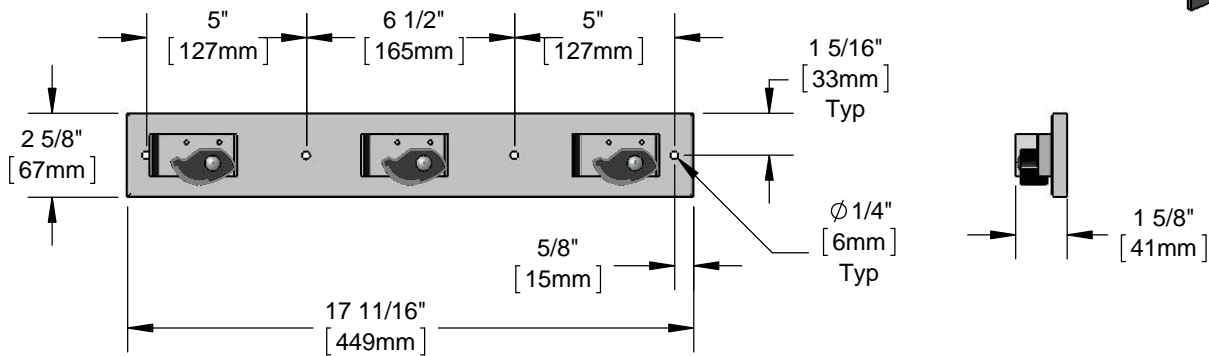
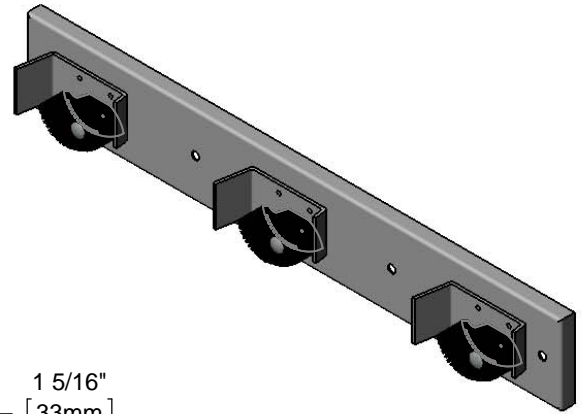




Architect/Engineering Specifications:

17 11/16" long stainless steel mop hanger with three (3) spring-loaded rubber grips.

Job Name _____
 Model Specified _____ Quantity _____
 Variations Specified _____
 Date _____



Features & Benefits:

- Stainless steel mop hanger
- Three (3) spring-loaded rubber grips
- 17 11/16" long by 2 5/8" wide
- (4) Mounting screws included
- Material: Stainless steel body & rubber grips

Product Compliance:

- N/A

Warranty: One Year (Limited)

Performance Data:

- N/A

