



T&S BRASS AND BRONZE WORKS, INC.

2 Saddleback Cove / P.O. Box 1088
Travelers Rest, SC 29690

Model No.

B-2429-CR

Item No.

Travelers Rest, SC: 800-476-4103 • Simi Valley, CA: 800-423-0150 • Fax: 864-834-3518 • www.tsbrass.com



ADA Compliant

This Space for Architect/Engineer Approval

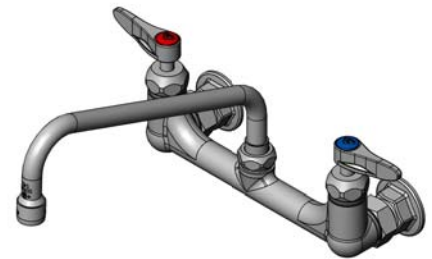
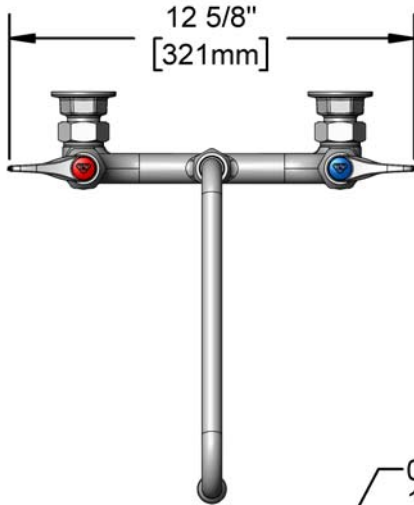
Job Name _____ Date _____

Model Specified _____ Quantity _____

Customer/Wholesaler _____

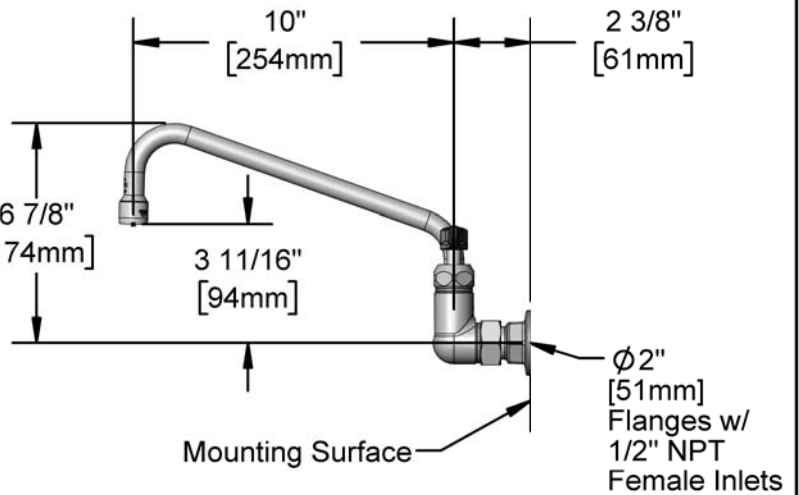
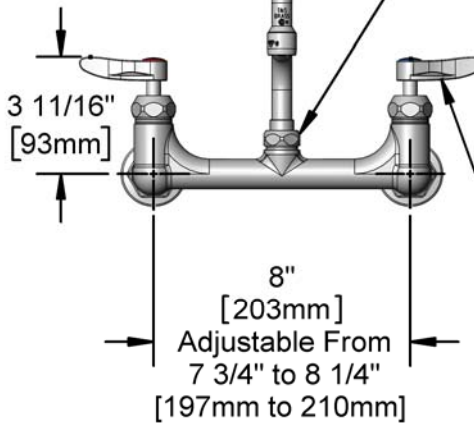
Contractor _____

Architect/Engineer _____



061X
10" Swivel/Rigid Nozzle w/
Stream Regulator Outlet.
Converts to Rigid w/
014200-45 Lock Washer
(Included).

Swivel Joint



Quarter-Turn Cerama Cartridges
w/ Check Valves & Lever Handles
w/ Color Coded Indexes

Product Specifications:

8" Wall Mount Base Mixing Faucet, Quarter-Turn Cerama Cartridges w/ Check Valves, Lever Handles, 10" Swivel/Rigid Nozzle w/ Stream Regulator Outlet & 1/2" NPT Female Inlets

Product Compliance:

ASME A112.18.1 / CSA B125.1
NSF 61 - Section 9
NSF 372 (Low Lead Content)
ANSI A117.1 (ADA)



T&S BRASS AND BRONZE WORKS, INC.

2 Saddleback Cove / P.O. Box 1088
Travelers Rest, SC 29690

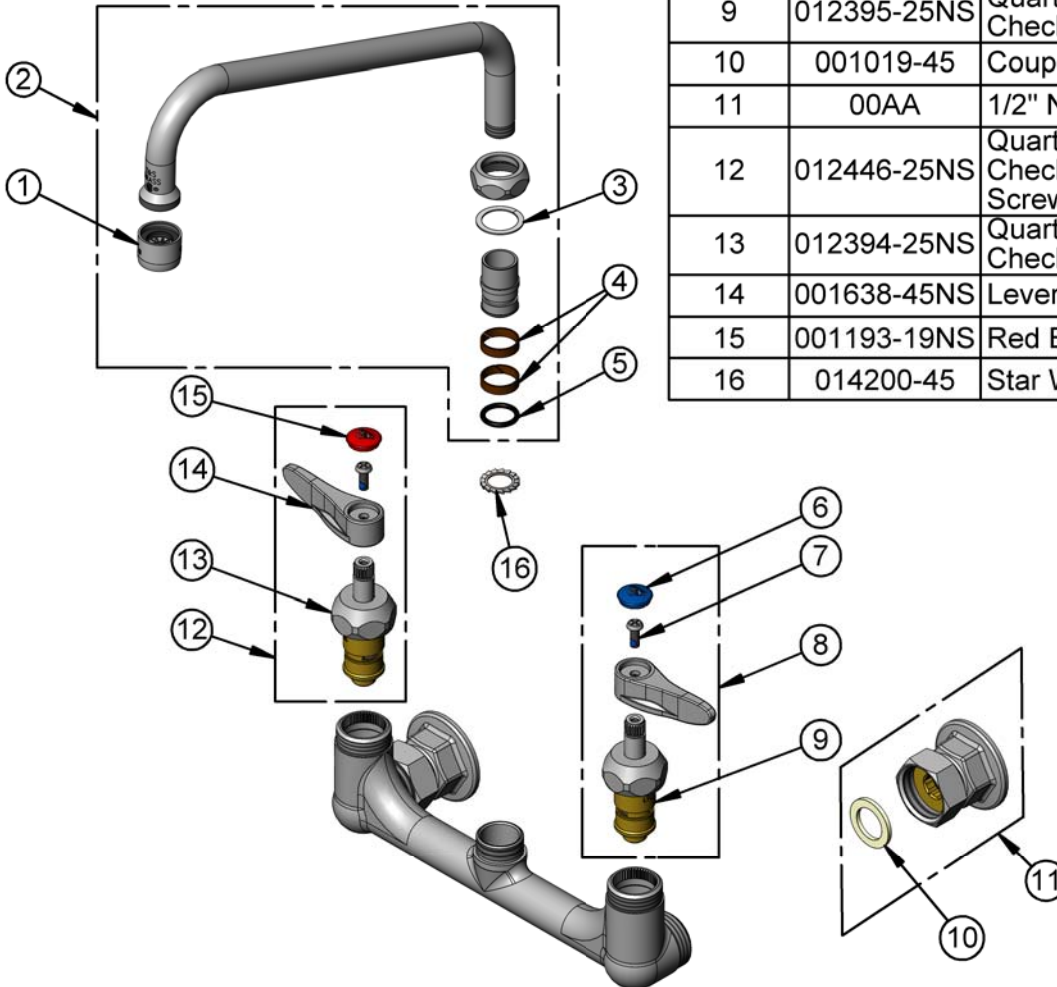
Model No.

B-2429-CR

Item No.

Travelers Rest, SC: 800-476-4103 • Simi Valley, CA: 800-423-0150 • Fax: 864-834-3518 • www.tsbrass.com

ITEM NO.	SALES NO.	DESCRIPTION
1	B-PT	Full Flow Stream Regulator, 55/64-27
2	061X	10" Swivel/Rigid Nozzle
3	009538-45	Swivel Washer
4	011429-45	Swivel Sleeves (2)
5	001074-45	O-Ring
6	018506-19NS	Blue Button Index, Press-in
7	000925-45	Lab Handle Screw
8	012447-25NS	Quarter-Turn Cerama Cartridge w/ Check Valve, Handle, Blue Index & Screw, LTC
9	012395-25NS	Quarter-Turn Cerama Cartridge w/ Check Valve, LTC
10	001019-45	Coupling Nut Washer
11	00AA	1/2" NPT Female Eccentric Flange
12	012446-25NS	Quarter-Turn Cerama Cartridge w/ Check Valve, Handle, Red Index & Screw, RTC
13	012394-25NS	Quarter-Turn Cerama Cartridge w/ Check Valve, RTC
14	001638-45NS	Lever Handle (New Style)
15	001193-19NS	Red Button Index, Press-in
16	014200-45	Star Washer, Anti-Rotation



Product Specifications:

8" Wall Mount Base Mixing Faucet, Quarter-Turn Cerama Cartridges w/ Check Valves, Lever Handles, 10" Swivel/Rigid Nozzle w/ Stream Regulator Outlet & 1/2" NPT Female Inlets

Product Compliance:

ASME A112.18.1 / CSA B125.1
NSF 61 - Section 9
NSF 372 (Low Lead Content)
ANSI A117.1 (ADA)