

This Space for Architect/Engineer Approval

Job Name _____ Date _____

Model Specified _____ Quantity _____

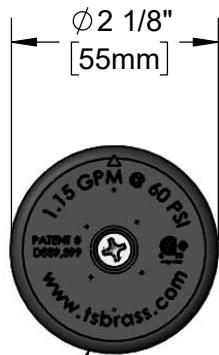
Customer/Wholesaler _____

Contractor _____

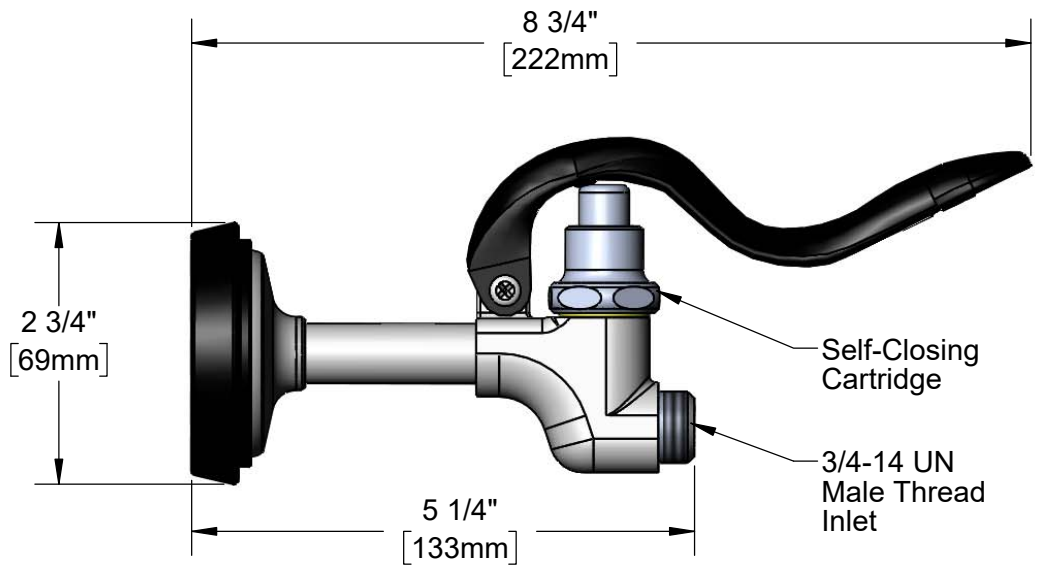
Architect/Engineer _____



Black Rubber Bumper



Black Spray Face

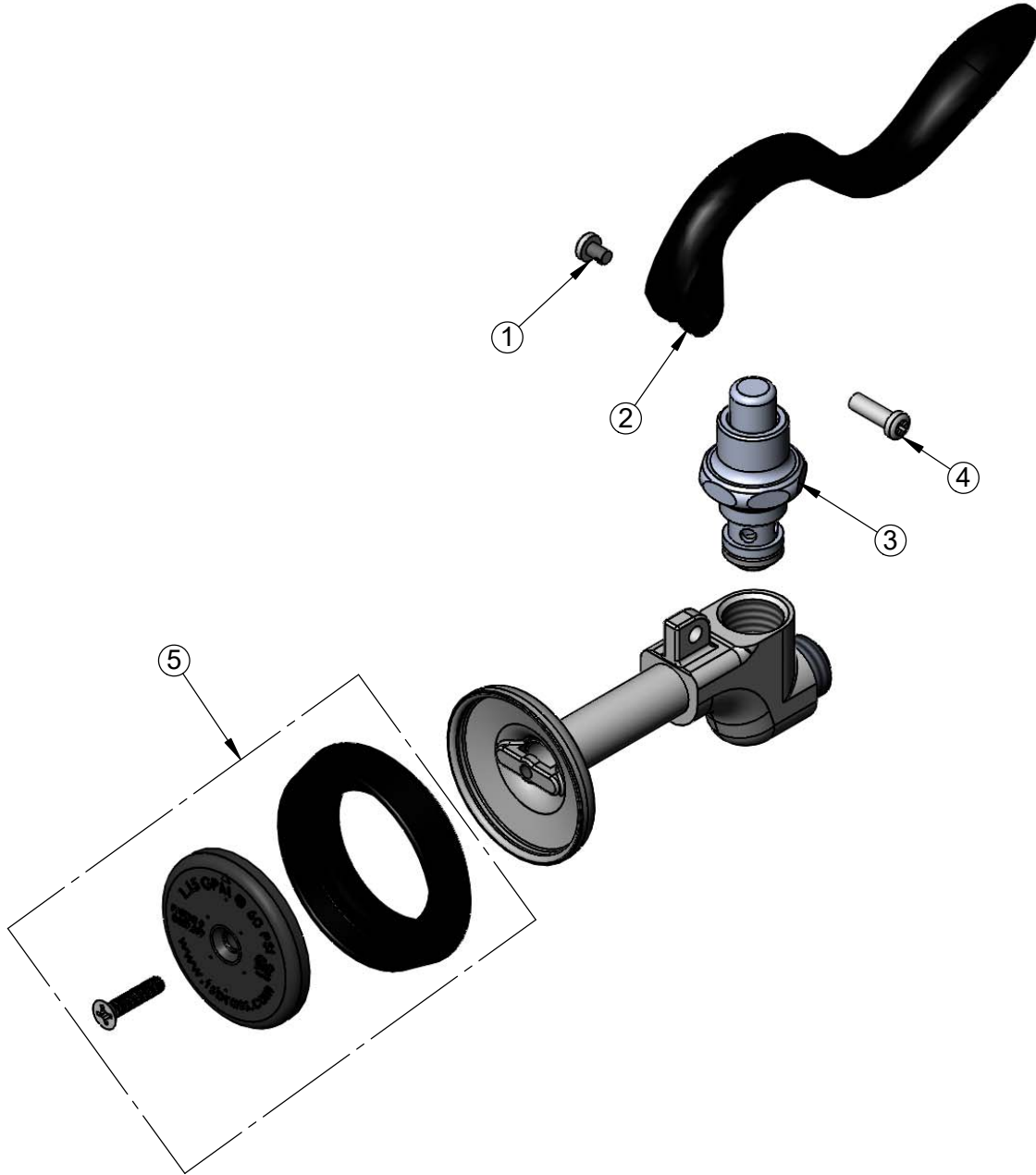


Flow Rate: 1.15 GPM [4.35 L/min] @ 60 psi [4.14 bar]

Spray Force: 7.5 Ozf [212 Gramf] @ 60 psi [4.14 bar]

<p>Model Number</p> <p style="text-align: center;">5SV</p>	<p>Product Specifications:</p> <p style="text-align: center;">Pre-Rinse Unit: Black 1.15 GPM Spray Valve</p>
<p>Product Compliance:</p> <p>ASME A112.18.1 / CSA B125.1 NSF 61 - Section 9 NSF 372 (Low Lead Content) 2019 DOE PRSV - Class II</p>	<div style="display: flex; justify-content: space-between; align-items: center;"> <div data-bbox="600 1906 738 1980"> <p>equip Foodservice Accessories</p> </div> <div data-bbox="743 1858 1096 2032"> </div> <div data-bbox="1096 1894 1567 1995"> <p>2 Saddleback Cove, P.O. Box 1088 Travelers Rest, South Carolina 29690 Phone: 800.891.4808 Fax: 800.868.0084 equip.tsbrass.com</p> </div> </div>

ITEM NO.	SALES NO.	DESCRIPTION
1	003199-45	Spray Valve Handle Screw
2	5SV-HDL	equip Black Spray Valve Handle
3	002856-40	Spray Valve Bonnet
4	003198-45	Spray Valve Handle Nut
5	5SV-RK	1.15 GPM Spray Valve Repair Kit



Model Number

5SV

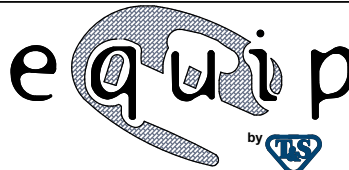
Product Specifications:

Pre-Rinse Unit: Black 1.15 GPM Spray Valve

Product Compliance:

ASME A112.18.1 / CSA B125.1
 NSF 61 - Section 9
 NSF 372 (Low Lead Content)
 2019 DOE PRSV - Class II

equip
 Foodservice
 Accessories



2 Saddleback Cove, P.O. Box 1088
 Travelers Rest, South Carolina 29690
 Phone: 800.891.4808 Fax: 800.868.0084
 equip.tsbrass.com