



T&S BRASS AND BRONZE WORKS, INC.
 2 Saddleback Cove / P.O. Box 1088
 Travelers Rest, SC 29690

Model No.
B-3940-BSP

Item No.

Travelers Rest, SC: 800-476-4103 • Simi Valley, CA: 800-423-0150 • Fax: 864-834-3518 • www.tsbrass.com

This Space for Architect/Engineer Approval

Job Name _____ Date _____

Model Specified _____ Quantity _____

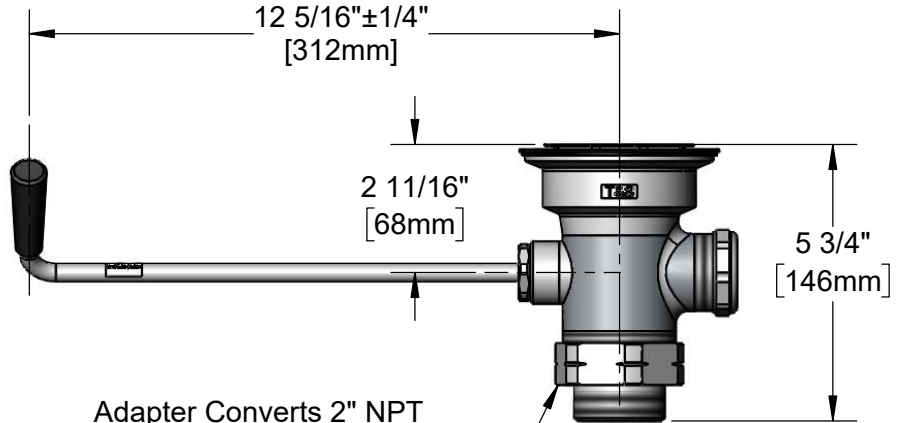
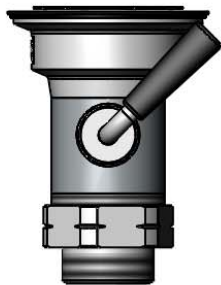
Customer/Wholesaler _____

Contractor _____

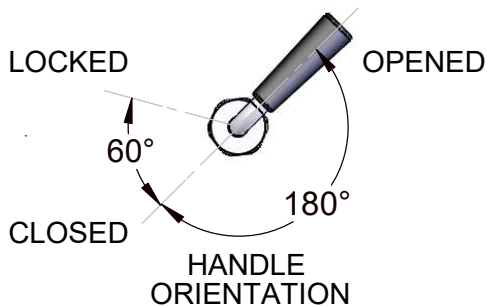
Architect/Engineer _____



Twist Handle w/
Heat Resistant
Plastic Grip (Shown
in Open Position)



Adapter Converts 2" NPT
Male to 1 1/2" BSP Male.
Remove Adapter When 2"
NPT Male Thread is Needed.



Product Specifications:
 Rotary Waste Valve w/ Twist Handle, 3" Sink Opening,
 2" NPT Male Outlet & 1 1/2" BSP Male Adapter

Product Compliance:
 ASME A112.18.2 / CSA B125.2



T&S BRASS AND BRONZE WORKS, INC.

2 Saddleback Cove / P.O. Box 1088
Travelers Rest, SC 29690

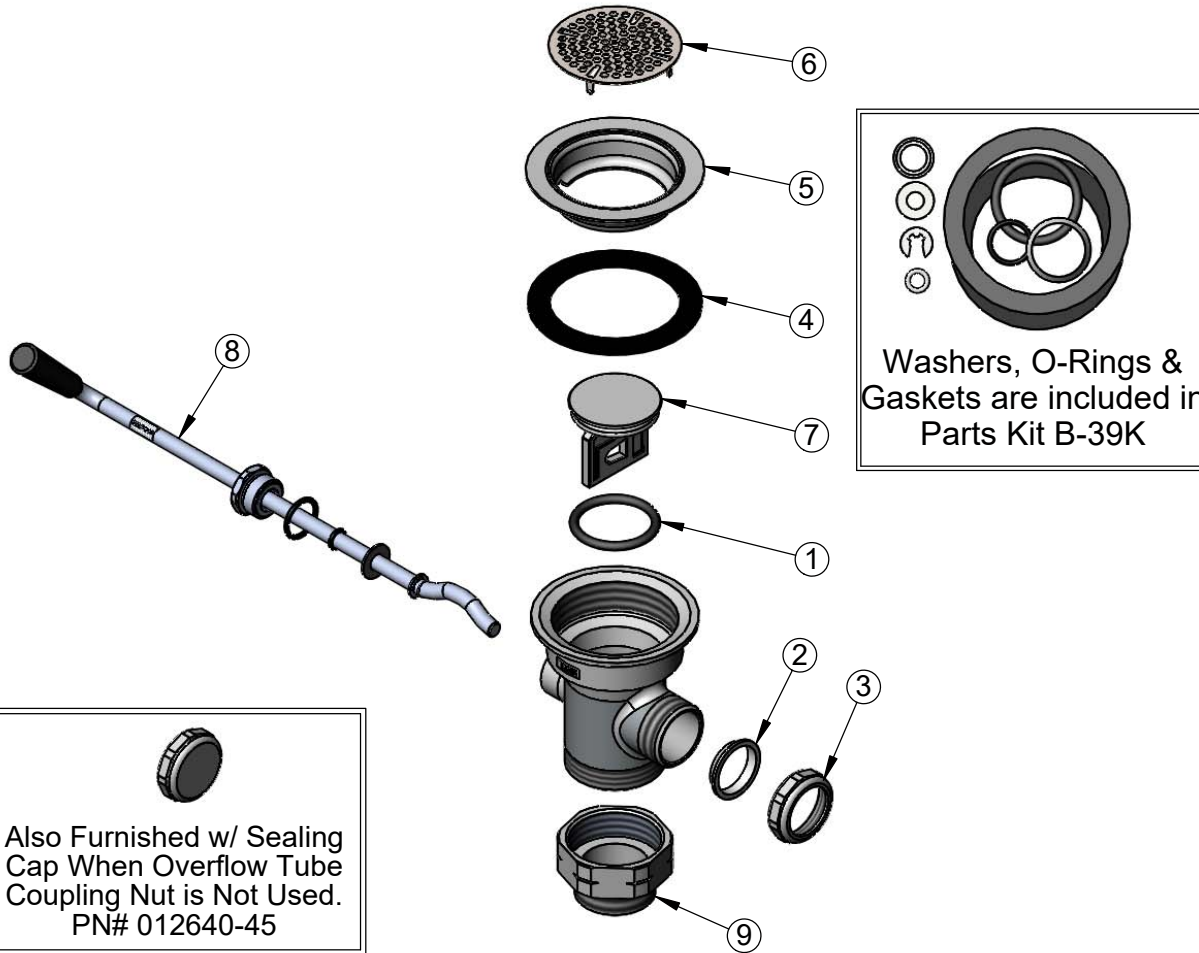
Model No.

B-3940-BSP

Item No.

Travelers Rest, SC: 800-476-4103 • Simi Valley, CA: 800-423-0150 • Fax: 864-834-3518 • www.tsbrass.com

| ITEM NO. | SALE NO. | DESCRIPTION |
|----------|------------|--|
| 1 | 010389-45 | O-Ring, Plunger |
| 2 | 010390-45 | Ferrule, Coupling Nut |
| 3 | 010391-45 | Nut, Coupling for Twist Drain |
| 4 | 010381-45 | Gasket, 3" Face Flange |
| 5 | 015306-45 | Flange, 3" Face |
| 6 | 010385-45 | Strainer, 3" Snap-in |
| 7 | 010388-45 | Plunger, Lever and Twist Drain |
| 8 | 010393-45 | Handle Asm, Rotary Waste Valve Twist |
| 9 | B-3945-BSP | Adapter, 2" NPT Male x 1 1/2" BSP Male |



Product Specifications:
Rotary Waste Valve w/ Twist Handle, 3" Sink Opening,
2" NPT Male Outlet & 1 1/2" BSP Male Adapter

Product Compliance:
ASME A112.18.2 / CSA B125.2