



**T&S BRASS AND BRONZE WORKS, INC.**  
 2 Saddleback Cove / P.O. Box 1088  
 Travelers Rest, SC 29690

Model No.  
**B-2866-04LN**

Item No.

Travelers Rest, SC: 800-476-4103 • Simi Valley, CA: 800-423-0150 • Fax: 864-834-3518 • www.tsbrass.com



**ADA Compliant**

This Space for Architect/Engineer Approval

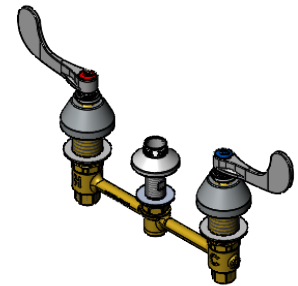
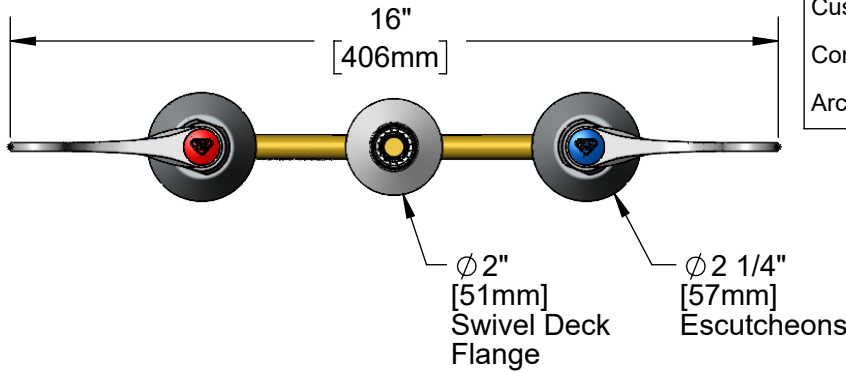
Job Name \_\_\_\_\_ Date \_\_\_\_\_

Model Specified \_\_\_\_\_ Quantity \_\_\_\_\_

Customer/Wholesaler \_\_\_\_\_

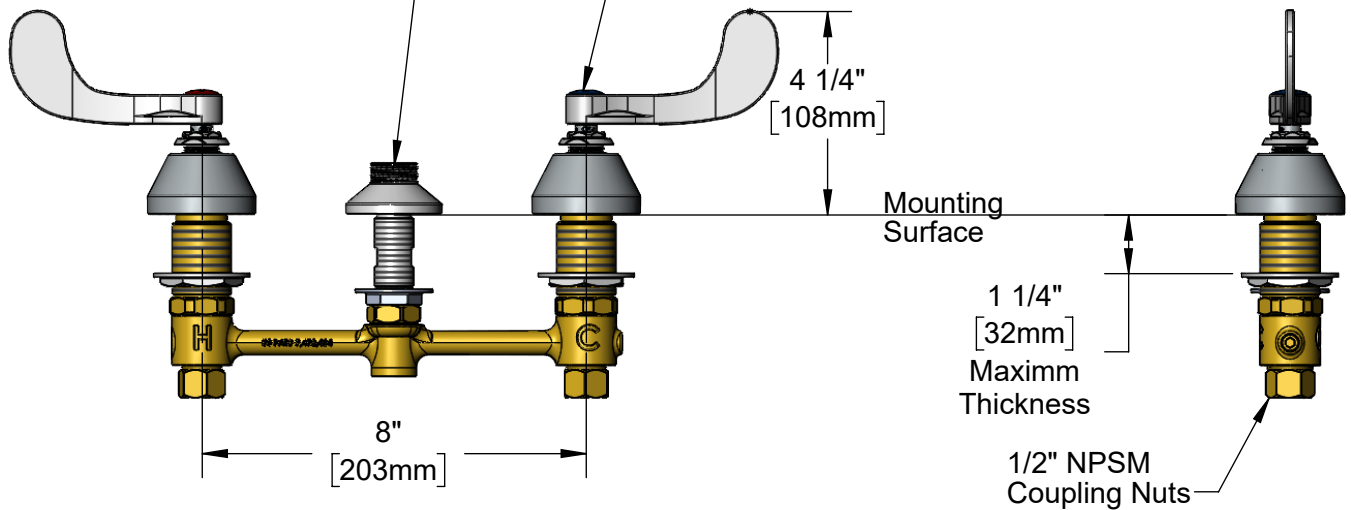
Contractor \_\_\_\_\_

Architect/Engineer \_\_\_\_\_



Swivel Outlet Accepts  
 Standard T&S Swing Nozzles  
 (Optional Swivel/Rigid  
 Washer Included)

Quarter-Turn  
 Eterna Cartridges w/  
 Spring Checks &  
 4" Wrist Action Handles  
 w/ Color Coded Indexes



**Rough-In Requirement:**  
 $\varnothing$  1" [25mm] for Center Shank  
 $\varnothing$  1 1/2" [38mm] for Hot/Cold Side

**Product Specifications:**  
 8" Concealed Widespread Mixing Faucet, Quarter-Turn Eterna Cartridges  
 w/ Spring Checks, 4" Wrist Action Handles and 1/2" NPT Male Inlets, Less  
 Nozzle

**Product Compliance:**  
 ASME A112.18.1 / CSA B125.1  
 NSF 61 - Section 9  
 NSF 372 (Low Lead Content)  
 ANSI A117.1 (ADA)



# T&S BRASS AND BRONZE WORKS, INC.

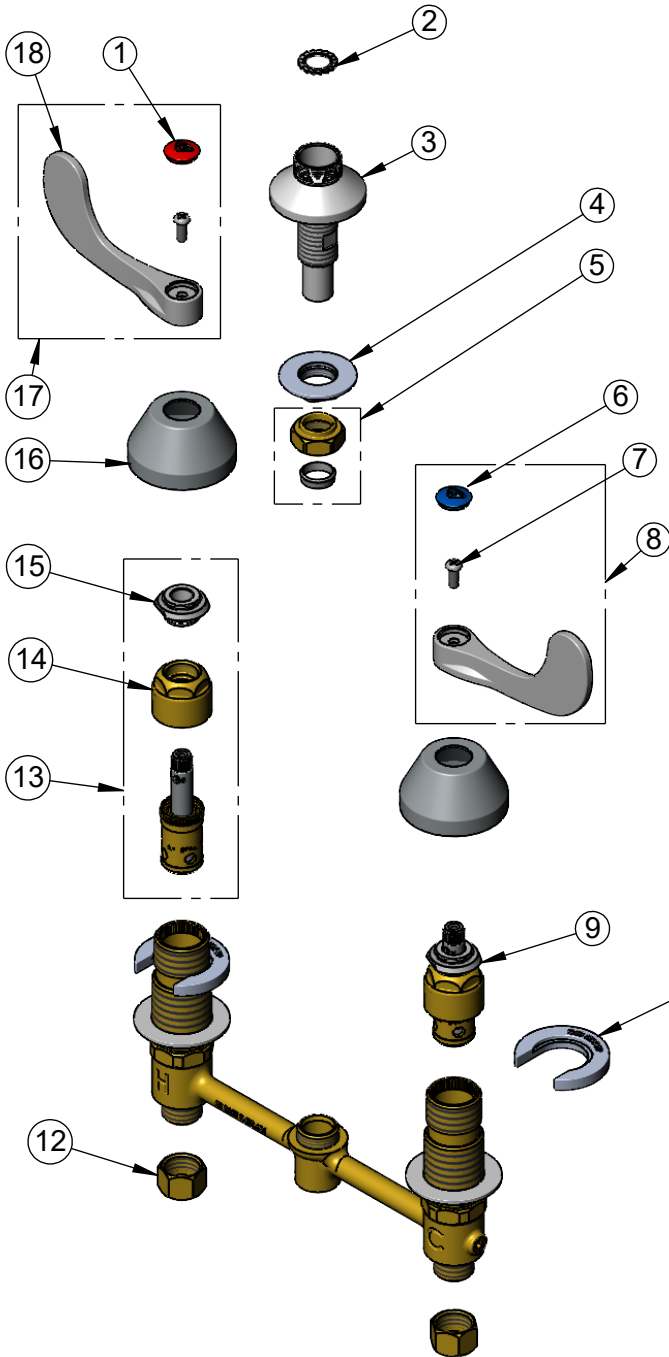
2 Saddleback Cove / P.O. Box 1088  
Travelers Rest, SC 29690

Model No.

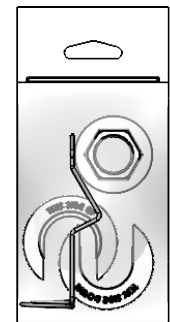
**B-2866-04LN**

Item No.

Travelers Rest, SC: 800-476-4103 • Simi Valley, CA: 800-423-0150 • Fax: 864-834-3518 • www.tsbrass.com



ITEM NO.	SALES NO.	DESCRIPTION
1	001193-19NS	Red Button Index, Press-in
2	014200-45	Star Washer, Anti-Rotation
3	016754-40NS	EasyInstall CWS Swivel Center (New Style)
4	016742-45	Center Flange Nut
5	016745-45	Compression Nut & Fitting
6	018506-19NS	Blue Button Index, Press-in
7	000925-45	Lab Handle Screw
8	B-WH4C-NS	Wrist Action Handle, Blue Index & Screw
9	016752-40NS	EasyInstall, CWS Quarter-Turn Eterna Cartridge w/ Spring Check, LTC
10	016749-45	Sidebody C-Washer
11	016777-45	CWS Hanger
12	000958-20	Coupling Nut
13	016753-40NS	EasyInstall, CWS Quarter-Turn Eterna Cartridge w/ Spring Check, RTC
14	016743-20	CWS Eterna Bonnet
15	009002-40NS	Packing Assembly (New Style)
16	001257-40NS	Bell Escutcheon
17	B-WH4H-NS	Wrist Action Handle, Red Index & Screw
18	B-WH4-NS	Wrist Action Handle - New Style



017245-40  
Installation Repair Kit  
Includes #4, (2)#10, & #11

**Product Specifications:**

8" Concealed Widespread Mixing Faucet, Quarter-Turn Eterna Cartridges w/ Spring Checks, 4" Wrist Action Handles and 1/2" NPT Male Inlets, Less Nozzle

**Product Compliance:**

ASME A112.18.1 / CSA B125.1  
NSF 61 - Section 9  
NSF 372 (Low Lead Content)  
ANSI A117.1 (ADA)