

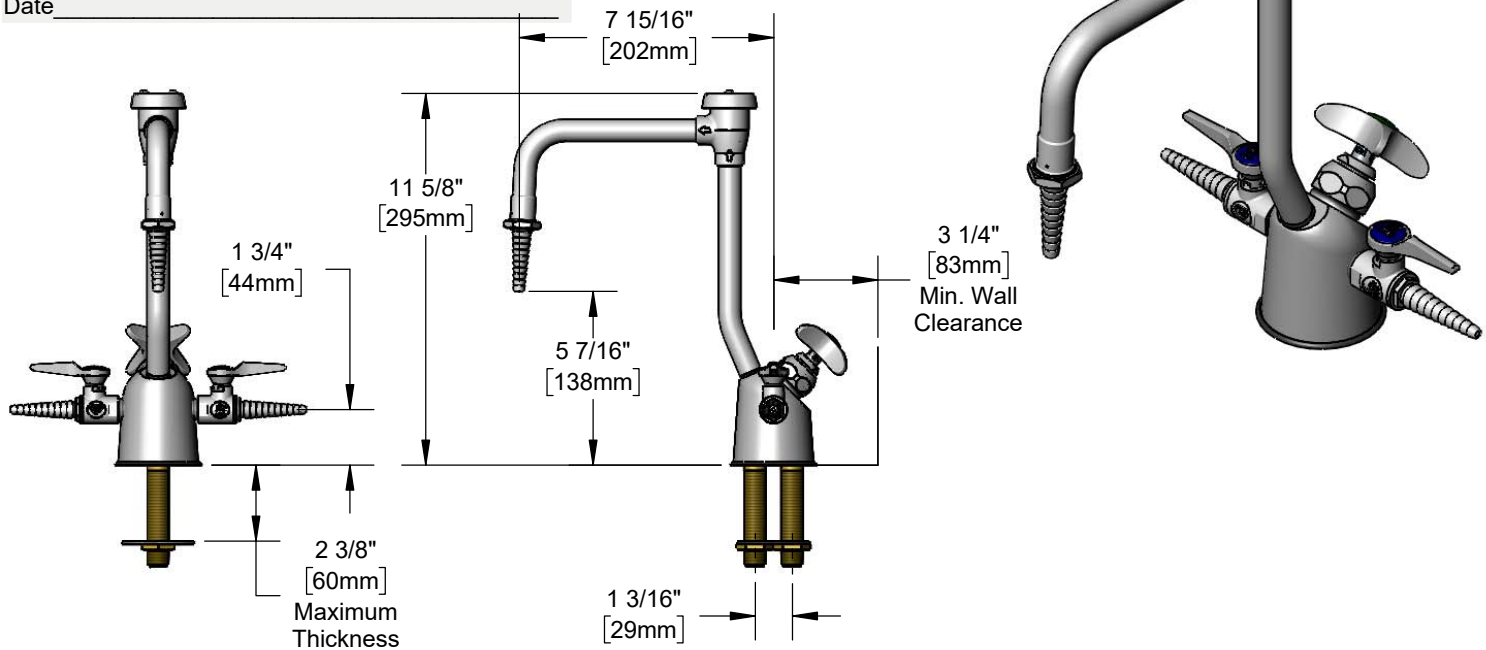


Combination Gas and Water Faucet

Architect/Engineering Specifications:

Combination gas and water laboratory turret with polished chrome plated brass body, polished chrome plated rigid nozzle with vacuum breaker and serrated tip outlet with 0.5 GPM flow control, hose cocks, quarter-turn compression cartridge with spring check, 4-arm handle and 3/8" NPT male gas and water inlets. Certified to ASME A112.18.1 / CSA B125.1, NSF 61- Section 9, NSF 372, ASSE 1001 and ANSI Z21.15a / CSA 9.1a. Meets ADA ANSI/ICC A117.1 requirements.

Job Name _____
 Model Specified _____ Quantity _____
 Variations Specified _____
 Date _____



Features & Benefits:

- Combination gas and water laboratory turret w/ polished chrome plated brass body
- Polished chrome plated rigid nozzle w/ vacuum breaker
- Serrated tip outlet w/ 0.5 GPM flow control & washer
- (2) hose cocks
- Quarter-turn Eterna compression cartridge w/ spring check
- 4-arm handle w/ color coded index
- 3/8" NPT male gas and water inlets
- Material: Polished chrome plated brass body & tubular spout, polished chrome metal handles

Optional Cartridges With Checks

- Quarter-Turn Cerama w/ Check Valve
- Quarter-Turn Eterna w/ Spring Check (Standard)

Optional Handles

- 4" Wrist Action
- Lever
- 4-Arm (Standard)

Product Compliance:

- ASME A112.18.1 / CSA B125.1
- NSF 61 - Section 9
- NSF 372 (Low Lead Content)
- ASSE 1001 (VB)
- ANSI Z21.15a / CSA 9.1a (Gas Valves)
- ANSI A117.1 (ADA)

Warranty: One Year (Limited)

Performance Data:

- Pressure:
 - Water: 20 - 125 psi [1.38 - 8.62 bar]
 - Gas: 0.5 psig max [0.03 bar]
- Temperature:
 - Water: 40°F - 140°F [4.44°C - 60°C]
 - Gas: 32°F - 125°F [0°C - 51.7°C]
- Flow Rate:
 - Water: 0.5 GPM [1.89 L/min] @ 60 psi [4.14 bar]



ADA Compliant

