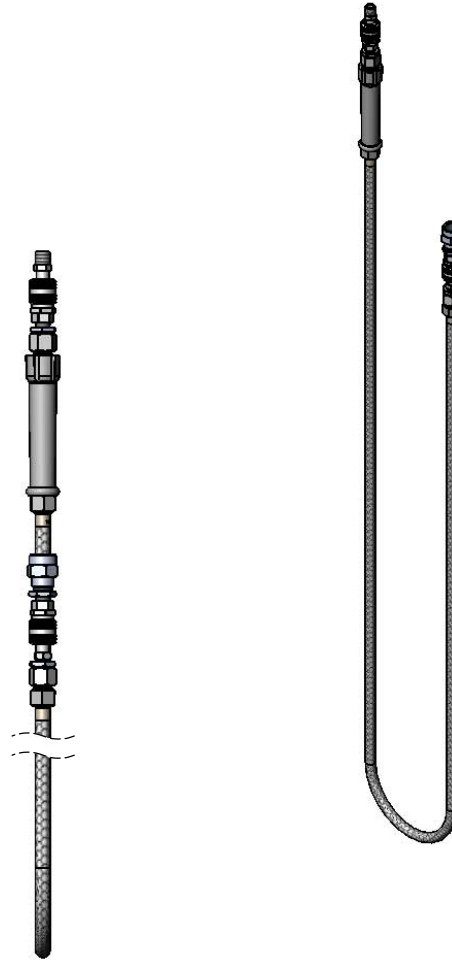
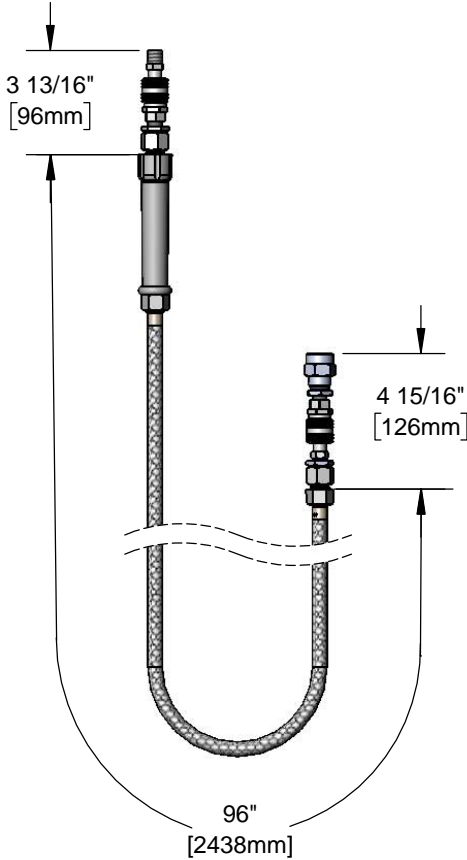




Architect/Engineering Specifications:

8' flexible hose assembly with FDA food grade PVC hose with stainless steel quick disconnect couplings, 1/4" NPT male outlet and 1/2" NPT female inlet. Certified to ASME A112.18.1/CSA B125.1, NSF 61-Section 9 and NSF 372.

Job Name \_\_\_\_\_  
 Model Specified \_\_\_\_\_ Quantity \_\_\_\_\_  
 Variations Specified \_\_\_\_\_  
 Date \_\_\_\_\_



Features & Benefits:

- 8' flexible FDA food grade reinforced PVC hose
- Quick-disconnect coupling with 1/4" NPT male plug and 3/8" male socket
- 1/4" NPT male outlet
- 1/2" NPT female inlet
- Material: PVC hose and stainless steel coupling

Product Compliance:

- ASME A112.18.1 / CSA B125.1
- NSF 61 - Section 9
- NSF 372 (Low Lead Content)

Warranty: One Year (Limited)

Performance Data:

- Pressure: 20 - 125 psi
- Temperature: 40 °F - 140 °F
- Flow Rate: TBD GPM @ 60 psi

