



T&S BRASS AND BRONZE WORKS, INC.
 2 Saddleback Cove / P.O. Box 1088
 Travelers Rest, SC 29690

Model No.

HG-4C-60K-FF

Item No.

Travelers Rest, SC: 800-476-4103 • Simi Valley, CA: 800-423-0150 • Fax: 864-834-3518 • www.tsbrass.com

This Space for Architect/Engineer Approval

Job Name _____ Date _____

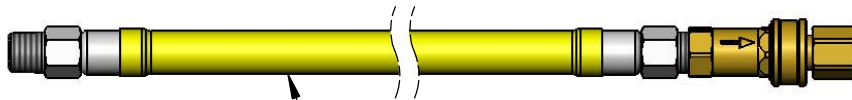
Model Specified _____ Quantity _____

Customer/Wholesaler _____

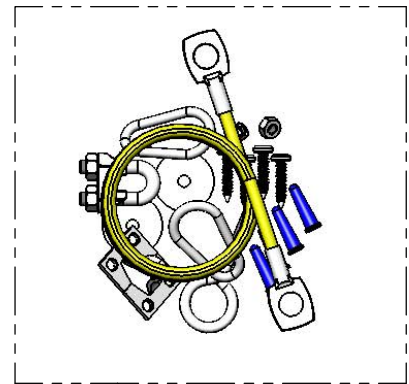
Contractor _____

Architect/Engineer _____

SAFE-T-LINK



1/2" NPT x 60" [1524mm] Coated Gas Hose
 w/ 1/2" Quick Disconnect Gas Coupling



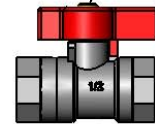
AG-RC
 Restraining Cable Kit

AG-8C-FF
 1/2" Gas Elbows (2)



1/2" Short Nipples (2)

AG-7C
 1/2" Ball Valve



Product Specifications:

Safe-T-Link Gas Appliance Connector:
 1/2" x 60" Long Coated Gas Hose w/ 1/2" Quick Disconnect Gas
 Coupling, 1/2" Gas Elbows, 1/2" Short Nipples, 1/2" Ball Valve &
 Restraining Cable Kit

Product Compliance:

ANSI Z21.69 / CSA 6.16
 NSF 2
 NFPA 54