



T&S BRASS AND BRONZE WORKS, INC.
 2 Saddleback Cove / P.O. Box 1088
 Travelers Rest, SC 29690

Model No.
B-0133-CR-BJ-ST

Item No.

Travelers Rest, SC: 800-476-4103 • Simi Valley, CA: 800-423-0150 • Fax: 864-834-3518 • www.tsbrass.com

This Space for Architect/Engineer Approval

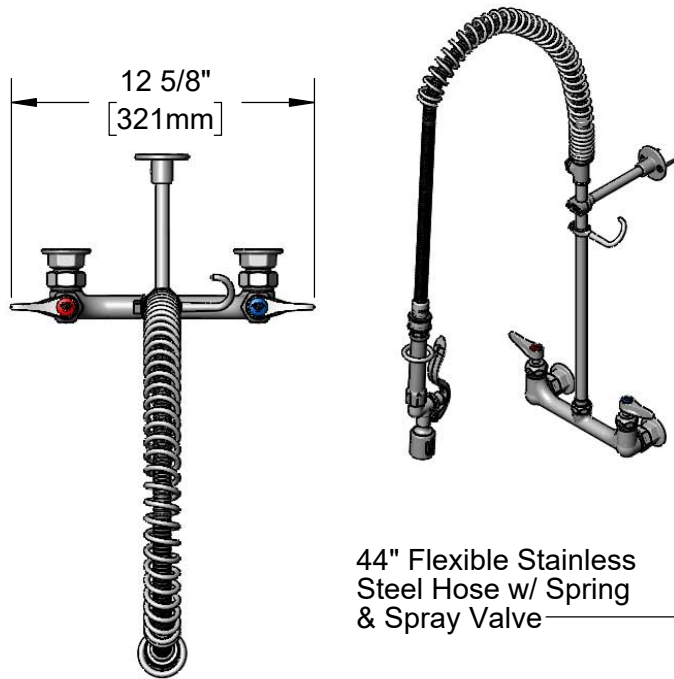
Job Name _____ Date _____

Model Specified _____ Quantity _____

Customer/Wholesaler _____

Contractor _____

Architect/Engineer _____



44" Flexible Stainless Steel Hose w/ Spring & Spray Valve

Items Not Shown for Clarity

B-TEE-RGD Tee for Accessory Fittings

Direction of Tee is Discretion of End-User During Installation

3/8" NPT x 18" Riser

Finger Hook

EasyInstall Lock Nut & Bushing

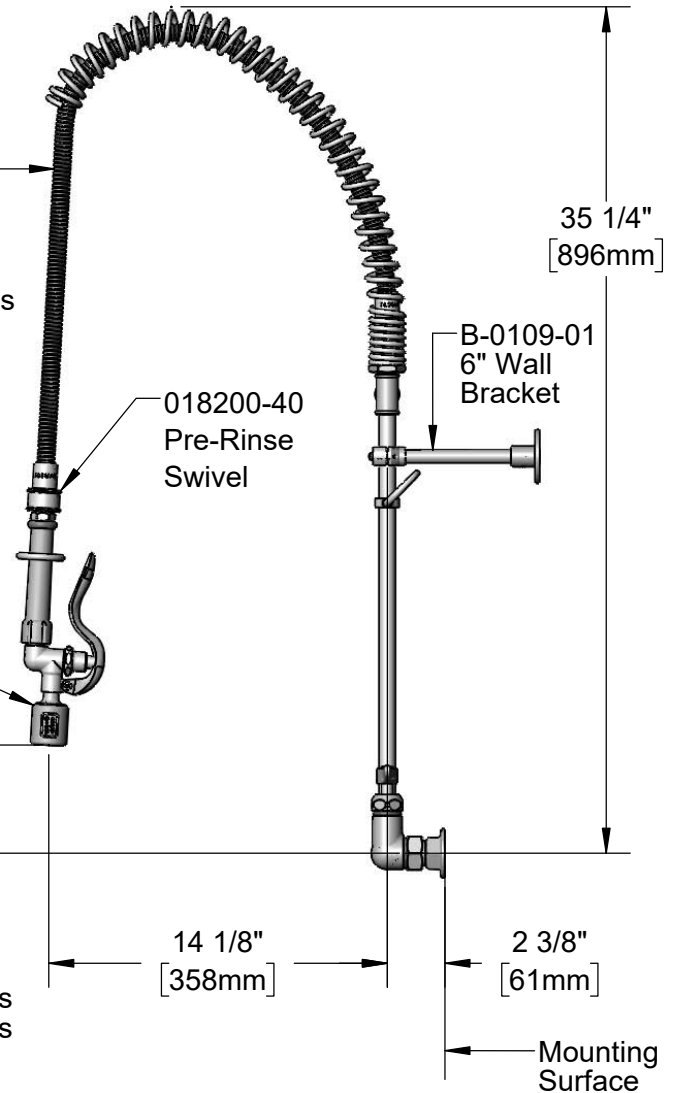
B-0107-J 1.07 GPM Spray Valve

3 11/16" [93mm]

4 1/2" [115mm]

8" [203mm]
 Adjustable From 7 3/4" to 8 1/4" [197mm to 210mm]

Quarter-Turn Cerama Cartridges w/ Check Valves & Lever Handles w/ Color Coded Indexes



35 1/4" [896mm]

B-0109-01 6" Wall Bracket

018200-40 Pre-Rinse Swivel

14 1/8" [358mm]

2 3/8" [61mm]

Mounting Surface

Product Specifications:

Pre-Rinse Unit: EasyInstall 8" Wall Mount Mixing Faucet, Quarter-Turn Cerama Cartridges w/ Check Valves, Lever Handles, 44" Flexible Stainless Steel Hose, 1.07 GPM Spray Valve w/ Swivel, 6" Wall Bracket, Accessory Fitting Tee & 1/2" NPT Female Inlets

Product Compliance:

ASME A112.18.1 / CSA B125.1
 NSF 61 - Section 9
 NSF 372 (Low Lead Content)
 2019 DOE PRSV - Class II

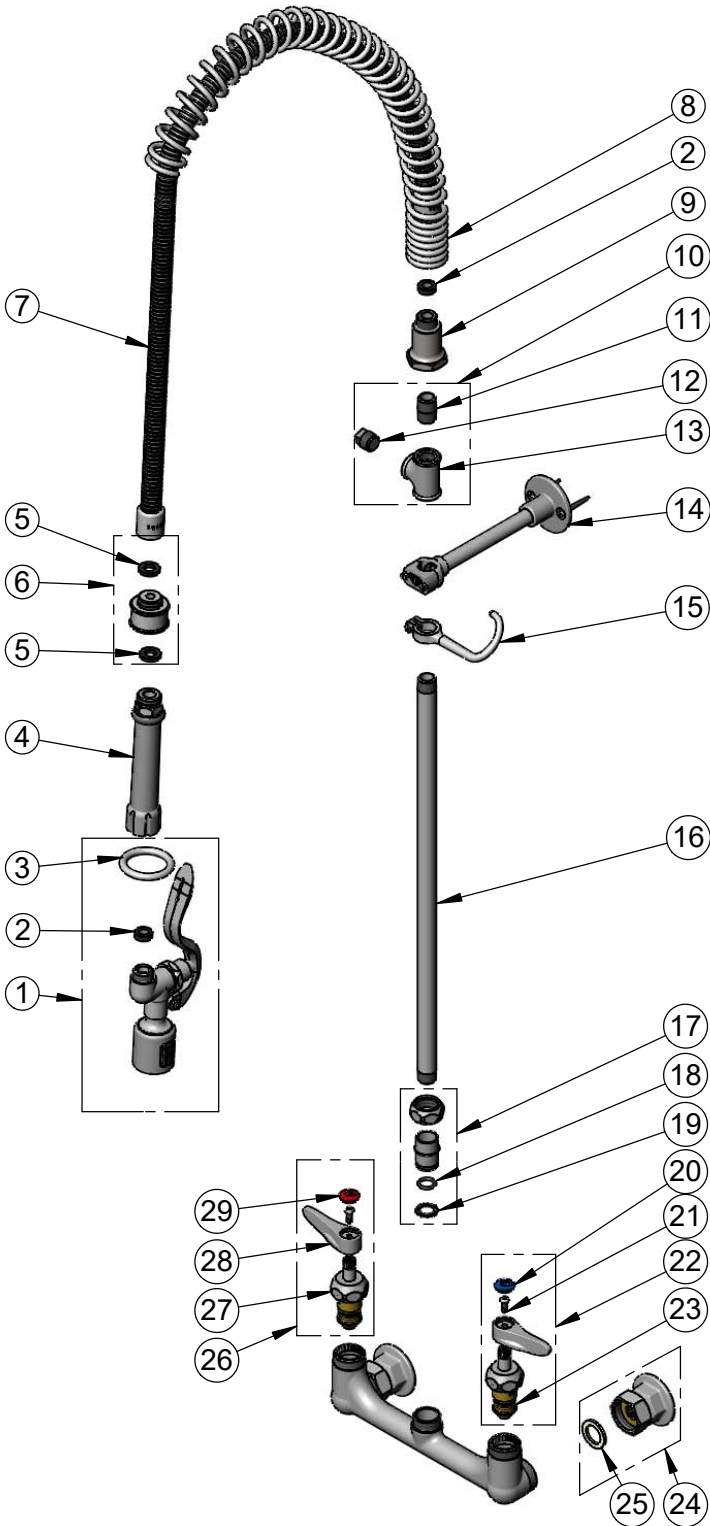


T&S BRASS AND BRONZE WORKS, INC.
 2 Saddleback Cove / P.O. Box 1088
 Travelers Rest, SC 29690

Model No.
B-0133-CR-BJ-ST

Item No.

Travelers Rest, SC: 800-476-4103 • Simi Valley, CA: 800-423-0150 • Fax: 864-834-3518 • www.tsbrass.com



ITEM NO.	SALES NO.	DESCRIPTION
1	B-0107-J	1.07 GPM Spray Valve
2	010476-45	#27 Washer
3	000907-45	Spray Valve Hold Down Ring
4	002987-40	Grip Handle
5	001014-45	Washer, B-0100 Hose Barrel
6	018200-40	Pre-Rinse Swivel
7	B-0044-H2A	44" Flexible Stainless Steel Hose, Less Handle
8	000888-45	EasyInstall Overhead Spring
9	000821-40	Spring Body
10	B-TEE-RGD	Rigid Tee
11	002535-25	3/8" Close Nipple
12	002369-25	3/8" NPT Plug
13	001614-40	3/8" NPT Tee
14	B-0109-01	6" Wall Bracket
15	004R	Finger Hook
16	000369-40	3/8" NPT x 18" Riser
17	EZ-K	EasyInstall Kit: Nut, Bushing, O-Ring & Lock Washer
18	001065-45	O-Ring
19	014200-45	Star Washer, Anti-Rotation
20	018506-19NS	Blue Button Index, Press-in
21	000925-45	Lab Handle Screw
22	012447-25NS	Quarter-Turn Cerama Cartridge, LTC w/ Check Valve, Handle, Index & Screw
23	012395-25NS	Quarter-Turn Cerama Cartridge, LTC w/ Check Valve
24	00AA	1/2" NPT Female Eccentric Flange
25	001019-45	Coupling Nut Washer
26	012446-25NS	Quarter-Turn Cerama Cartridge, RTC w/ Check Valve, Handle, Index & Screw
27	012394-25NS	Quarter-Turn Cerama Cartridge, RTC w/ Check Valve
28	001638-45NS	Lever Handle (New Style)
29	001193-19NS	Red Button Index, Press-in

Product Specifications:
 Pre-Rinse Unit: EasyInstall 8" Wall Mount Mixing Faucet, Quarter-Turn Cerama Cartridges w/ Check Valves, Lever Handles, 44" Flexible Stainless Steel Hose, 1.07 GPM Spray Valve w/ Swivel, 6" Wall Bracket, Accessory Fitting Tee & 1/2" NPT Female Inlets

Product Compliance:
 ASME A112.18.1 / CSA B125.1
 NSF 61 - Section 9
 NSF 372 (Low Lead Content)
 2019 DOE PRSV - Class II