



# T&S BRASS AND BRONZE WORKS, INC.

2 Saddleback Cove / P.O. Box 1088  
Travelers Rest, SC 29690

Model No.

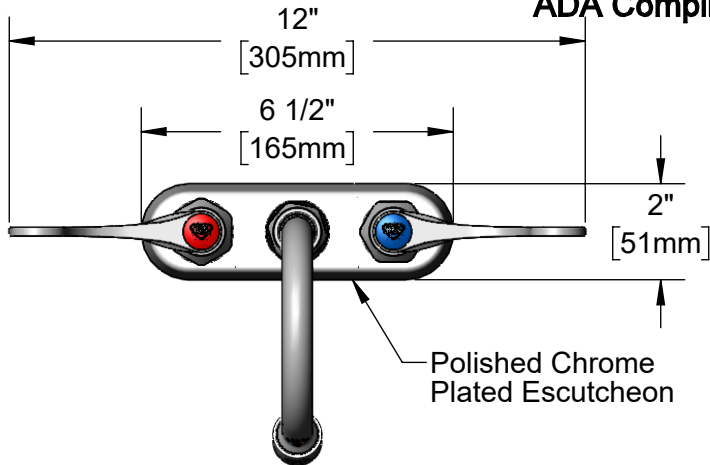
**B-1141-2VL15CR4**

Item No.

Travelers Rest, SC: 800-476-4103 • Simi Valley, CA: 800-423-0150 • Fax: 864-834-3518 • www.tsbrass.com



**ADA Compliant**



This Space for Architect/Engineer Approval

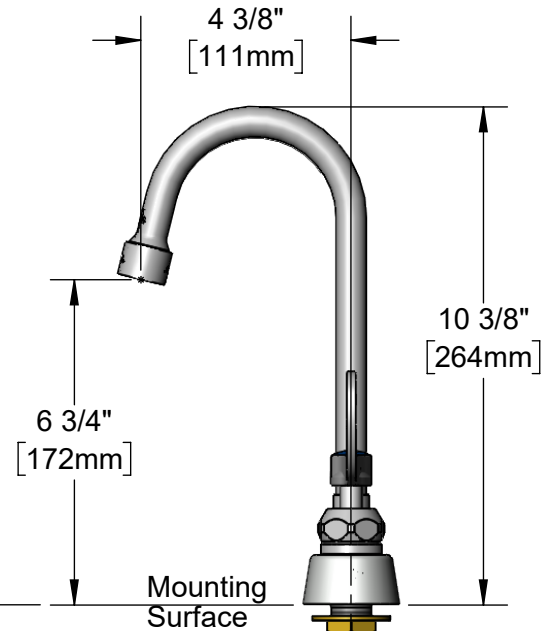
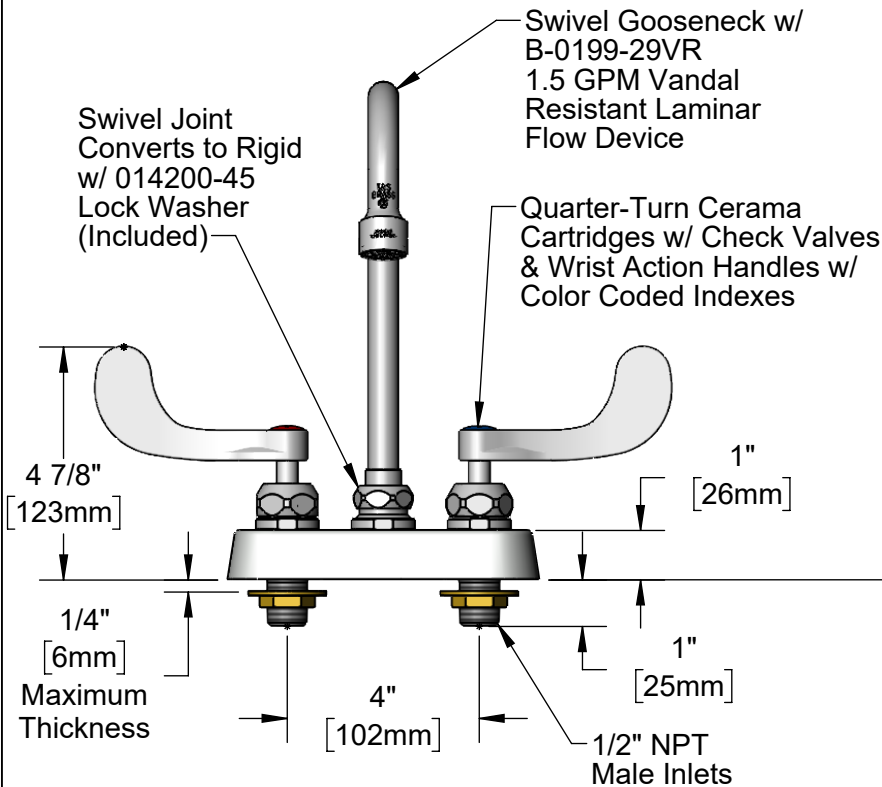
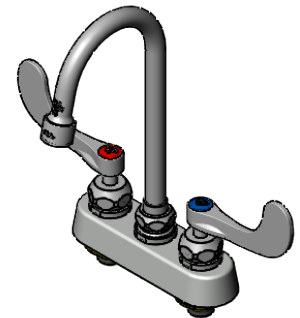
Job Name \_\_\_\_\_ Date \_\_\_\_\_

Model Specified \_\_\_\_\_ Quantity \_\_\_\_\_

Customer/Wholesaler \_\_\_\_\_

Contractor \_\_\_\_\_

Architect/Engineer \_\_\_\_\_



(2) 150A  
Optional Tailpieces &  
Nuts for 1/4" NPT  
Connection (Included)

Rough-In Requirement:  
(2)  $\varnothing$  1" [25mm] Mounting Holes

**Product Specifications:**

4" Deck Mount Workboard Faucet, Quarter-Turn Cerama Cartridges w/ Check Valves, 4" Wrist Action Handles, 4 3/8" Swivel/Rigid Gooseneck, 1.5 GPM Vandal Resistant Laminar Flow Device & 1/2" NPT Male Inlets

**Product Compliance:**

ASME A112.18.1 / CSA B125.1  
NSF 61 - Section 9  
NSF 372 (Low Lead Content)  
ANSI A117.1 (ADA)  
EPA WaterSense



# T&S BRASS AND BRONZE WORKS, INC.

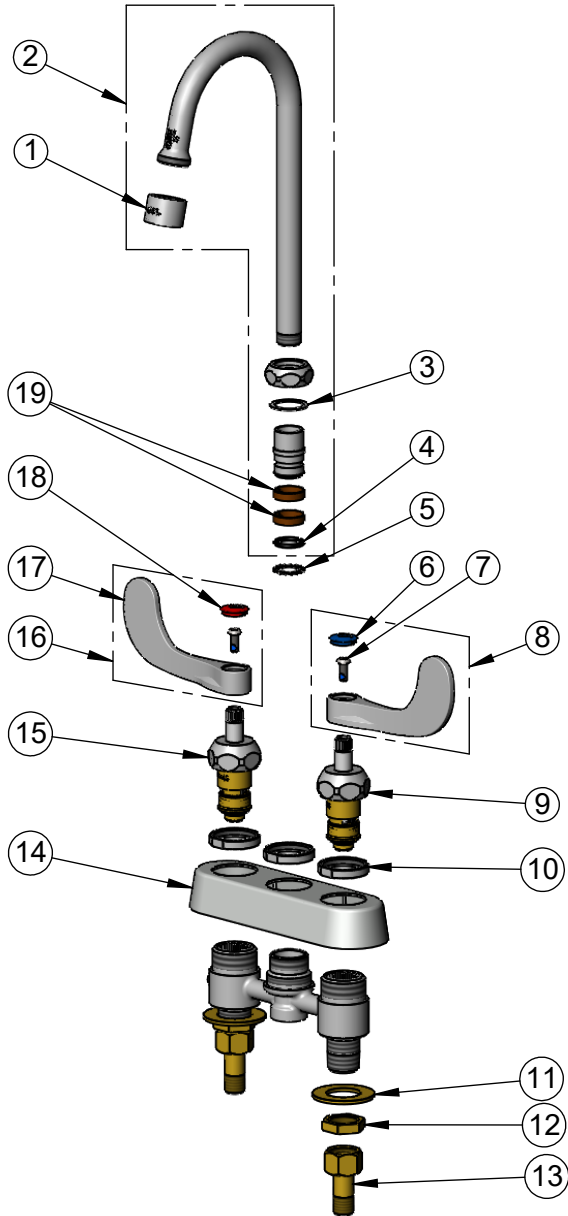
2 Saddleback Cove / P.O. Box 1088  
Travelers Rest, SC 29690

Model No.

**B-1141-2VL15CR4**

Item No.

Travelers Rest, SC: 800-476-4103 • Simi Valley, CA: 800-423-0150 • Fax: 864-834-3518 • www.tsbrass.com



ITEM NO.	SALES NO.	DESCRIPTION
1	B-0199-29VR	VR 1.5 GPM Laminar Flow Device, 55/64-27 UN Female w/ Key
2	179X-L15	4 3/8" Swivel Gooseneck w/ VR 1.5 Laminar Flow Device & Key
3	009538-45	Swivel Washer
4	001074-45	O-Ring
5	014200-45	Star Washer, Anti-Rotation
6	018506-19NS	Blue Button Index, Press-in
7	000925-45	Lab Handle Screw
8	B-WH4C-NS	4" Wrist Action Handle, Screw & Blue Index
9	012395-25NS	Quarter-Turn Cerama Cartridge w/ Check Valve, LTC
10	019376-40	Escutcheon Lock Nut
11	000999-45	Brass Lock Washer
12	002954-45	Shank Lock Nut
13	150A	1/4" NPT Tailpiece & Nut
14	019374-40	B-1110 Eterna Workboard Escutcheon
15	012394-25NS	Quarter-Turn Cerama Cartridge w/ Check Valve, RTC
16	B-WH4H-NS	4" Wrist-Action Handle, Screw & Red Index
17	B-WH4-NS	Wrist Action Handle - New Style
18	001193-19NS	Red Button Index, Press-in
19	011429-45	Swivel Sleeves (2)



015425-45  
Vandal Resistant Key

**Product Specifications:**  
4" Deck Mount Workboard Faucet, Quarter-Turn Cerama Cartridges w/ Check Valves, 4" Wrist Action Handles, 4 3/8" Swivel/Rigid Gooseneck, 1.5 GPM Vandal Resistant Laminar Flow Device & 1/2" NPT Male Inlets

**Product Compliance:**  
ASME A112.18.1 / CSA B125.1  
NSF 61 - Section 9  
NSF 372 (Low Lead Content)  
ANSI A117.1 (ADA)  
EPA WaterSense