



T&S BRASS AND BRONZE WORKS, INC.
 2 Saddleback Cove / P.O. Box 1088
 Travelers Rest, SC 29690

Model No.
B-0305-LN-175F

Item No.

Travelers Rest, SC: 800-476-4103 • Simi Valley, CA: 800-423-0150 • Fax: 864-834-3518 • www.tsbrass.com



ADA Compliant

This Space for Architect/Engineer Approval

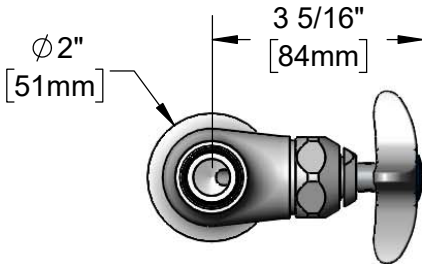
Job Name _____ Date _____

Model Specified _____ Quantity _____

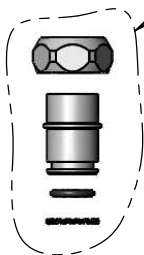
Customer/Wholesaler _____

Contractor _____

Architect/Engineer _____

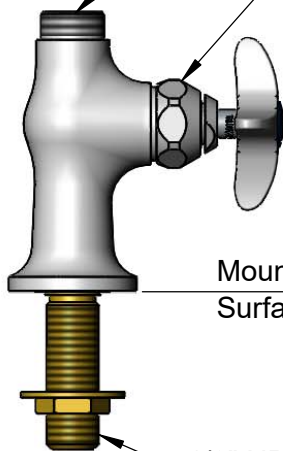


EZ-K
 EasyInstall Kit
 Converts Rigid Risers &
 Nozzles For Use with
 Swivel Outlet (Included)



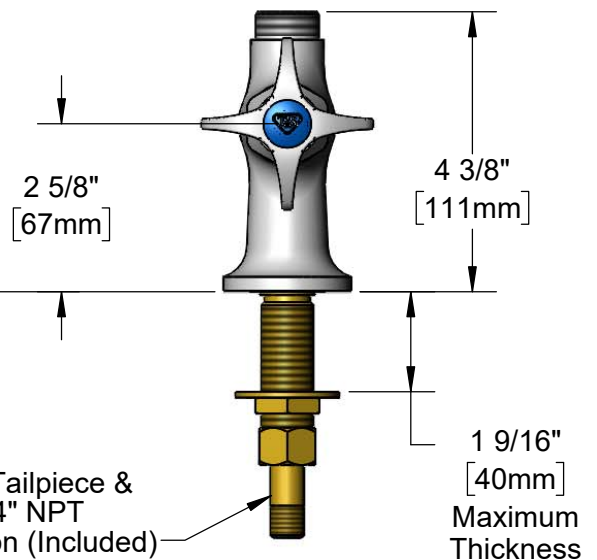
Swivel Outlet Accepts
 Standard T&S Swing Nozzles
 and EasyInstall Risers.

Quarter-Turn Eterna
 Cartridge w/ Spring
 Check & 4-Arm Handle
 w/ Color Coded Index



Mounting
 Surface

1/2" NPSM Male Inlet



150A
 Optional Tailpiece &
 Nut for 1/4" NPT
 Connection (Included)

Rough-In Requirement:
 ϕ 1" [25mm] Mounting Hole

Product Specifications:
 Single Hole, Single Temperature Deck Mount Faucet, Less Gooseneck,
 Quarter-Turn Eterna Cartridge w/ Spring Check, 4-Arm Handle & 1/2" NPSM
 Male Inlet

Product Compliance:
 ASME A112.18.1 / CSA B125.1
 NSF 61 - Section 9
 NSF 372 (Low Lead Content)
 ANSI A117.1 (ADA)



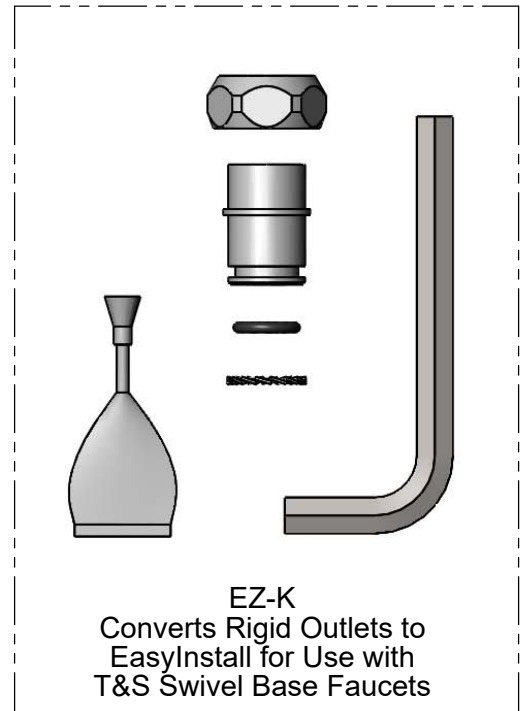
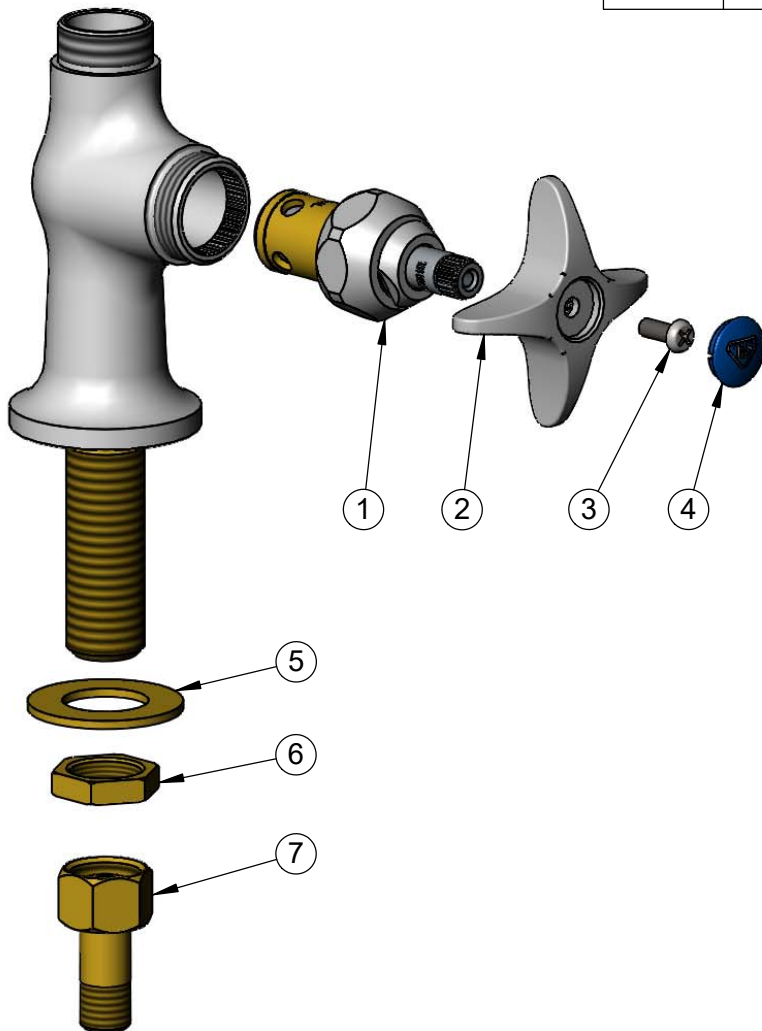
T&S BRASS AND BRONZE WORKS, INC.
 2 Saddleback Cove / P.O. Box 1088
 Travelers Rest, SC 29690

Model No.
B-0305-LN-175F

Item No.

Travelers Rest, SC: 800-476-4103 • Simi Valley, CA: 800-423-0150 • Fax: 864-834-3518 • www.tsbrass.com

ITEM NO.	SALES NO.	DESCRIPTION
1	012443-40NS	Quarter-Turn Eterna Cartridge w/ Spring Check, RTC
2	002521-45NS	4-Arm Handle (New Style)
3	000925-45	Lab Handle Screw
4	018506-19NS	Blue Button Index, Press-in
5	000999-45	Brass Lock Washer
6	002954-45	Shank Lock Nut
7	150A	1/4" NPT Tailpiece & Nut



Product Specifications:
 Single Hole, Single Temperature Deck Mount Faucet, Less Gooseneck, Quarter-Turn Eterna Cartridge w/ Spring Check, 4-Arm Handle & 1/2" NPSM Male Inlet

Product Compliance:
 ASME A112.18.1 / CSA B125.1
 NSF 61 - Section 9
 NSF 372 (Low Lead Content)
 ANSI A117.1 (ADA)