



Architect/Engineering Specifications:

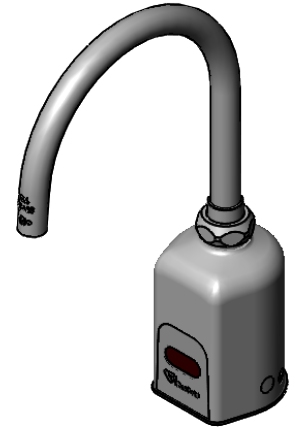
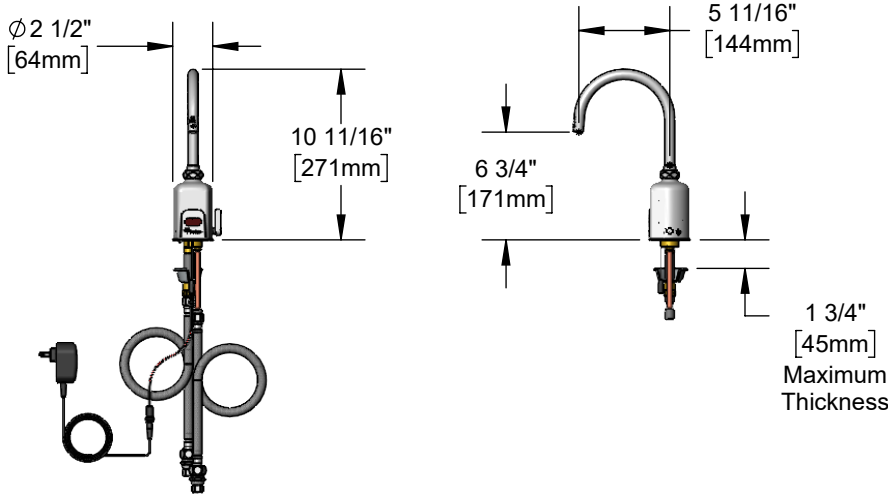
Single hole deck mount electronic sensor faucet with polished chrome plated brass body and 5 11/16" plain end swivel/rigid gooseneck with 1.0 GPM flow control, above deck electronic AC/DC control module with internal flow control setting switches, above deck temperature mixing handle, anti-rotation pin, 18" flexible stainless steel supply hoses and check valve adapters with 3/8" compression connections. Certified to ASME A112.18.1/CSA B125.1, NSF 61-Section 9, NSF 372, EPA WaterSense and UL 1951. Meets ADA ANSI/ICC A117.1 requirements.

Job Name _____

Model Specified _____ Quantity _____

Variations Specified _____

Date _____



Features & Benefits:

- Single hole deck mount faucet with polished chrome plated brass body
- 5 11/16" plain end swivel/rigid gooseneck
- 1.0 GPM flow control in swivel piece
- Above deck electronic control module w/ internal flow control switches for adjusting auto time out & shut off delay settings
- Optional auto flush feature flows water for 30 seconds after every 12 inactive hours
- Optional metering mode
- Plug in AC transformer or 6 VDC lithium battery (DC) power options
- Above deck temperature mixing handle
- Optional body plug replaces handle when temperature is preset
- Anti-rotation pin
- 18" flexible stainless steel supply hoses with filter washers
- Check valve adapters with 3/8" compression connections
- Low battery LED indicator light
- Material: Polished chrome plated brass body and tubular spout

Product Compliance:

- ASME A112.18.1 / CSA B125.1
- NSF 61 - Section 9
- NSF 372 (Low Lead Content)
- ANSI A117.1 (ADA)
- UL 1951
- EPA WaterSense



ADA Compliant



Warranty: Three Year (Limited)

Performance Data:

- Pressure: 20 - 125 psi [1.38 - 8.62 bar]
- Temperature: 40°F - 140°F [4.44°C - 60°C]
- Flow Rate: 1.0 GPM [3.8 L/min] @ 60 psi [4.14 bar]
- Water Consumption: @10 sec = 0.17 gal [0.63 L]
@15 sec = 0.25 gal [0.95 L]

Optional Flow Disc

GPM	Model No	Optional Deck Plates
0.5	<input type="checkbox"/> FD05	<input type="checkbox"/> 4" Chrome Plated Brass Deck Plate
1.0	<input type="checkbox"/> Standard	<input type="checkbox"/> 8" Chrome Plated Brass Deck Plate
1.2	<input type="checkbox"/> FD12	
1.5	<input type="checkbox"/> FD15	
2.2	<input type="checkbox"/> FD22	

