



T&S BRASS AND BRONZE WORKS, INC.
 2 Saddleback Cove / P.O. Box 1088
 Travelers Rest, SC 29690

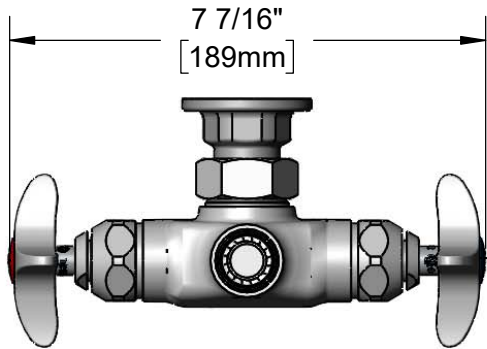
Model No.
B-0316-LN

Item No.

Travelers Rest, SC: 800-476-4103 • Simi Valley, CA: 800-423-0150 • Fax: 864-834-3518 • www.tsbrass.com



ADA Compliant



This Space for Architect/Engineer Approval

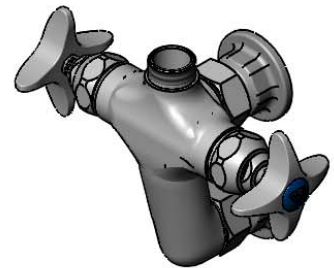
Job Name _____ Date _____

Model Specified _____ Quantity _____

Customer/Wholesaler _____

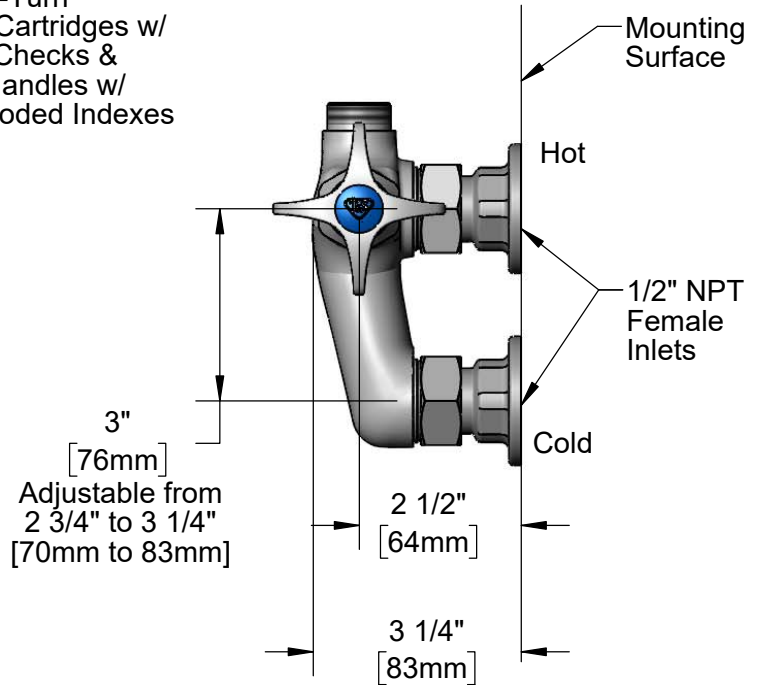
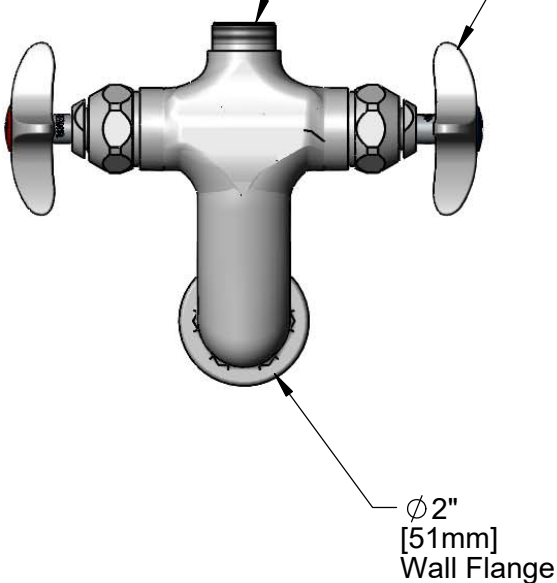
Contractor _____

Architect/Engineer _____



Swivel Outlet Accepts Standard T&S Swing Nozzle. Converts to Rigid w/ 014200-45 Lock Washer (Included)

Quarter-Turn Eterna Cartridges w/ Spring Checks & Lever Handles w/ Color Coded Indexes



Product Specifications:

Wall Mount Vertical Mixing Faucet, Quarter-Turn Eterna Cartridges w/ Spring Checks, 4-Arm Handles and 1/2" NPT Female Inlets, Less Nozzle

Product Compliance:

ASME A112.18.1 / CSA B125.1
 NSF 61 - Section 9
 NSF 372 (Low Lead Content)
 ANSI A117.1 (ADA)



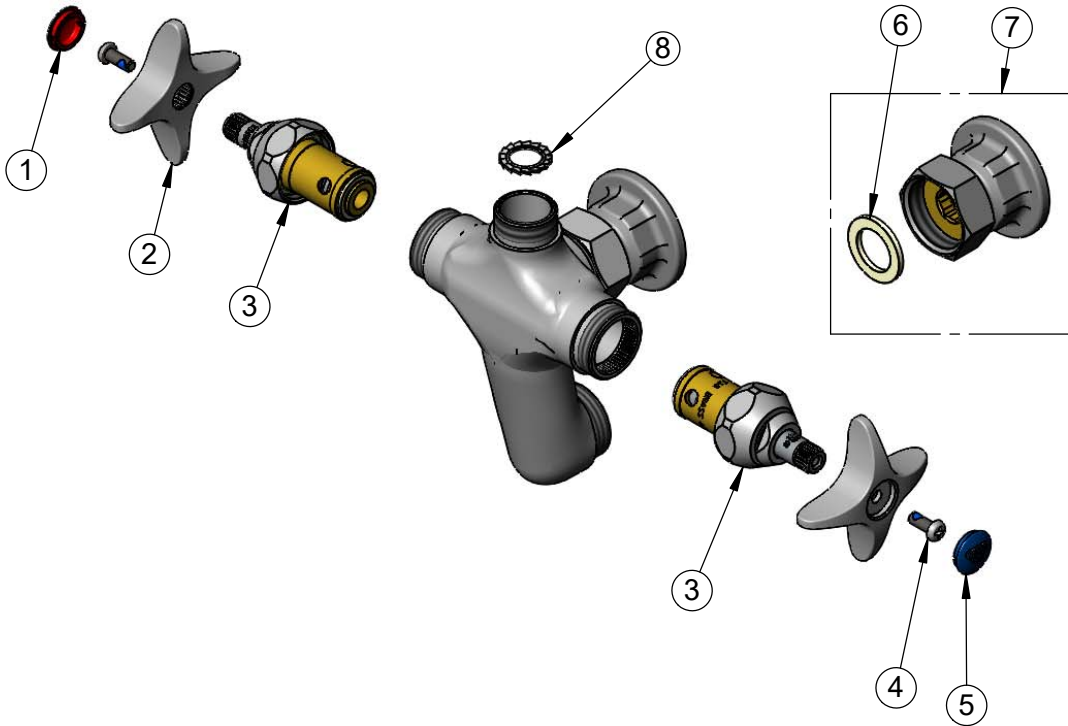
T&S BRASS AND BRONZE WORKS, INC.
 2 Saddleback Cove / P.O. Box 1088
 Travelers Rest, SC 29690

Model No.
B-0316-LN

Item No.

Travelers Rest, SC: 800-476-4103 • Simi Valley, CA: 800-423-0150 • Fax: 864-834-3518 • www.tsbrass.com

ITEM NO.	SALES NO.	DESCRIPTION
1	001193-19NS	Red Button Index, Press-in
2	002521-45NS	4-Arm Handle (New Style)
3	012443-40NS	Quarter-Turn Eterna Cartridge w/ Spring Check, RTC
4	000925-45	Lab Handle Screw
5	018506-19NS	Blue Button Index, Press-in
6	001019-45	Coupling Nut Washer
7	00AA	1/2" NPT Female Eccentric Flange
8	014200-45	Star Washer, Anti-Rotation



Product Specifications:

Wall Mount Vertical Mixing Faucet, Quarter-Turn Eterna Cartridges w/
 Spring Checks, 4-Arm Handles and 1/2" NPT Female Inlets, Less
 Nozzle

Product Compliance:

ASME A112.18.1 / CSA B125.1
 NSF 61 - Section 9
 NSF 372 (Low Lead Content)
 ANSI A117.1 (ADA)