



T&S BRASS AND BRONZE WORKS, INC.

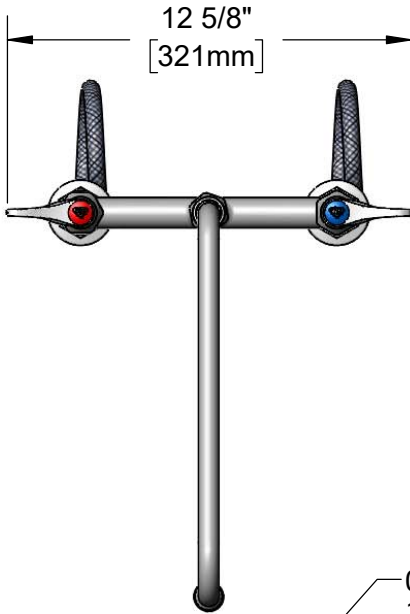
2 Saddleback Cove / P.O. Box 1088
Travelers Rest, SC 29690

Model No.

B-0221-CR-KIT

Item No.

Travelers Rest, SC: 800-476-4103 • Simi Valley, CA: 800-423-0150 • Fax: 864-834-3518 • www.tsbrass.com



12 5/8"
[321mm]



ADA Compliant

This Space for Architect/Engineer Approval

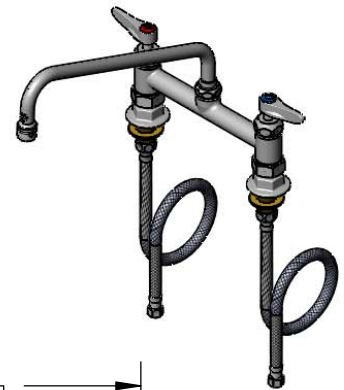
Job Name _____ Date _____

Model Specified _____ Quantity _____

Customer/Wholesaler _____

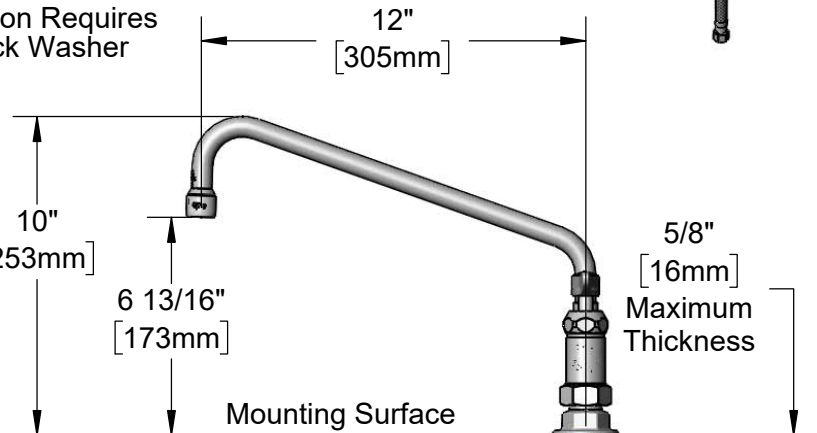
Contractor _____

Architect/Engineer _____



062X
12" Swing Nozzle w/
Stream Regulator Outlet.
Rigid Conversion Requires
014200-45 Lock Washer
(Included)

Swivel Joint



10"
[253mm]

12"
[305mm]

6 13/16"
[173mm]

5/8"
[16mm]
Maximum
Thickness

Mounting Surface

5 1/8"
[130mm]

8"
[203mm]

Adjustable From
7 3/4" to 8 1/4"
[197mm to 210mm]

Quarter-Turn
Cerama Cartridges w/
Check Valves
& Lever Handles
w/ Color Coded
Indexes

Ø 2" [51mm]
Flanges w/
1/2" NPT
Female Inlets

B-0425-KIT
Inlet Kit w/ 1/2" NPT Shanks,
Washers, Nuts &
24" Flexible Supply Hoses

3/8" Compression

Rough-In Requirement:
(2) Ø 1" [25mm] Mounting Holes

Product Specifications:

8" Deck Mount Mixing Faucet, Quarter-Turn Cerama Cartridges w/ Check Valves, Lever Handles, Inlet Kit w/ 1/2" NPT Shanks, Washers, Nuts & 24" Flexible Supply Hoses with 3/8" Compression Inlets, 12" Swing Nozzle & 1/2" NPT Female Inlets

Product Compliance:

ASME A112.18.1 / CSA B125.1
NSF 61 - Section 9
NSF 372 (Low Lead Content)
ANSI A117.1 (ADA)



T&S BRASS AND BRONZE WORKS, INC.

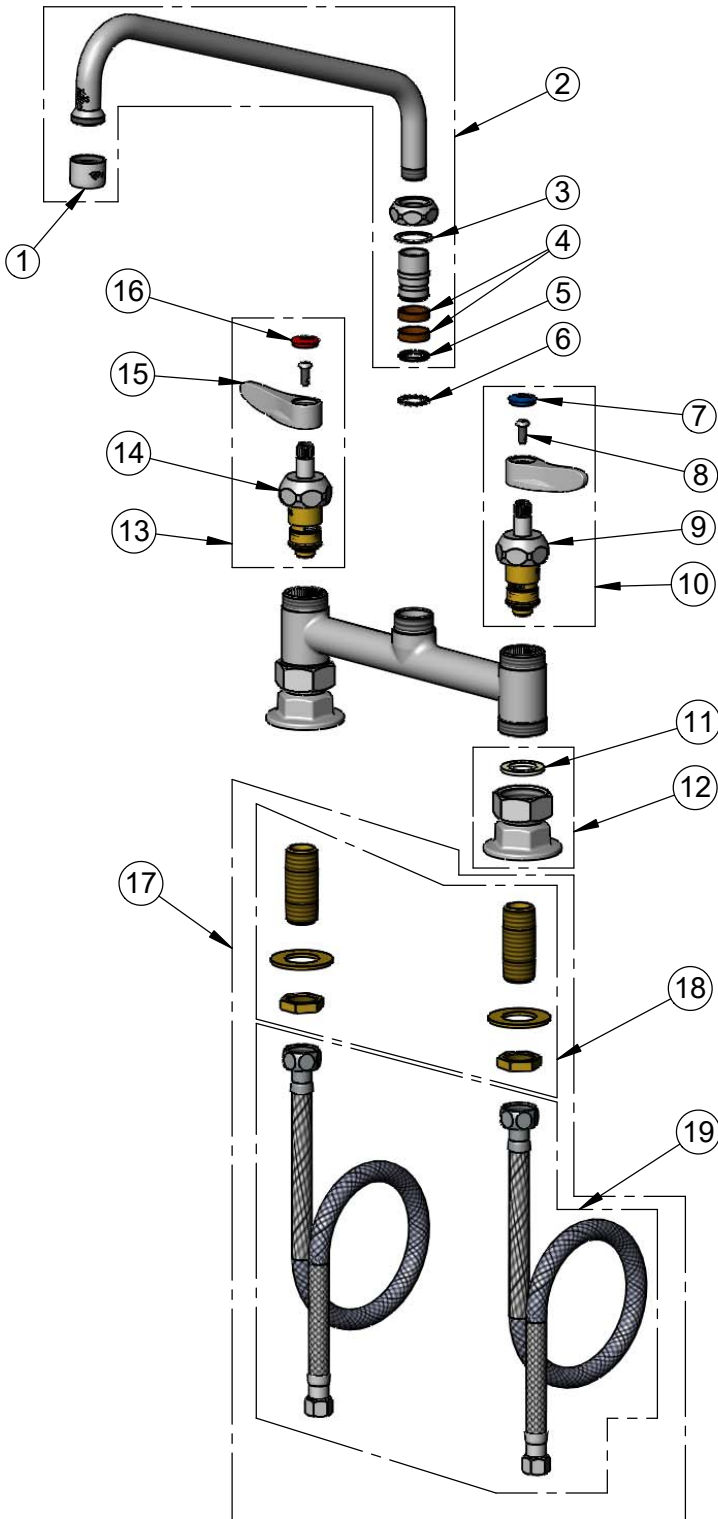
2 Saddleback Cove / P.O. Box 1088
Travelers Rest, SC 29690

Model No.

B-0221-CR-KIT

Item No.

Travelers Rest, SC: 800-476-4103 • Simi Valley, CA: 800-423-0150 • Fax: 864-834-3518 • www.tsbrass.com



ITEM NO.	SALES NO.	DESCRIPTION
1	B-PT	Stream Regulator Outlet
2	062X	12" Swing Nozzle
3	009538-45	Swivel Washer
4	011429-45	Swivel Sleeves (2)
5	001074-45	O-Ring
6	014200-45	Star Washer, Anti-Rotation
7	018506-19NS	Blue Button Index, Press-in
8	000925-45	Lab Handle Screw
9	012395-25NS	Quarter-Turn Cerama Cartridge w/ Check Valve, LTC
10	012447-25NS	Quarter-Turn Cerama Cartridge w/ Check Valve, Handle, Blue Index & Screw, LTC
11	001019-45	Coupling Nut Washer
12	00AA	1/2" NPT Female Eccentric Flange
13	012446-25NS	Quarter-Turn Cerama Cartridge w/ Check Valve, Handle, Red Index & Screw, RTC
14	012394-25NS	Quarter-Turn Cerama Cartridge w/ Check Valve, RTC
15	001638-45NS	Lever Handle (New Style)
16	001193-19NS	Red Button Index, Press-in
17	B-0425-KIT	1/2" NPT x 2" NPT Shanks, Washers, Nuts & 24" Flexible Supply Hoses
18	B-0425	1/2" NPT x 2" Supply Nipple Kit
19	B-1100-KIT	24" Flexible Supply Hoses

Product Specifications:

8" Deck Mount Mixing Faucet, Quarter-Turn Cerama Cartridges w/ Check Valves, Lever Handles, Inlet Kit w/ 1/2" NPT Shanks, Washers, Nuts & 24" Flexible Supply Hoses with 3/8" Compression Inlets, 12" Swing Nozzle & 1/2" NPT Female Inlets

Product Compliance:

ASME A112.18.1 / CSA B125.1
NSF 61 - Section 9
NSF 372 (Low Lead Content)
ANSI A117.1 (ADA)