



T&S BRASS AND BRONZE WORKS, INC.

2 Saddleback Cove / P.O. Box 1088
Travelers Rest, SC 29690

Model No.

B-0112

Item No.

Travelers Rest, SC: 800-476-4103 • Simi Valley, CA: 800-423-0150 • Fax: 864-834-3518 • www.tsbrass.com

This Space for Architect/Engineer Approval

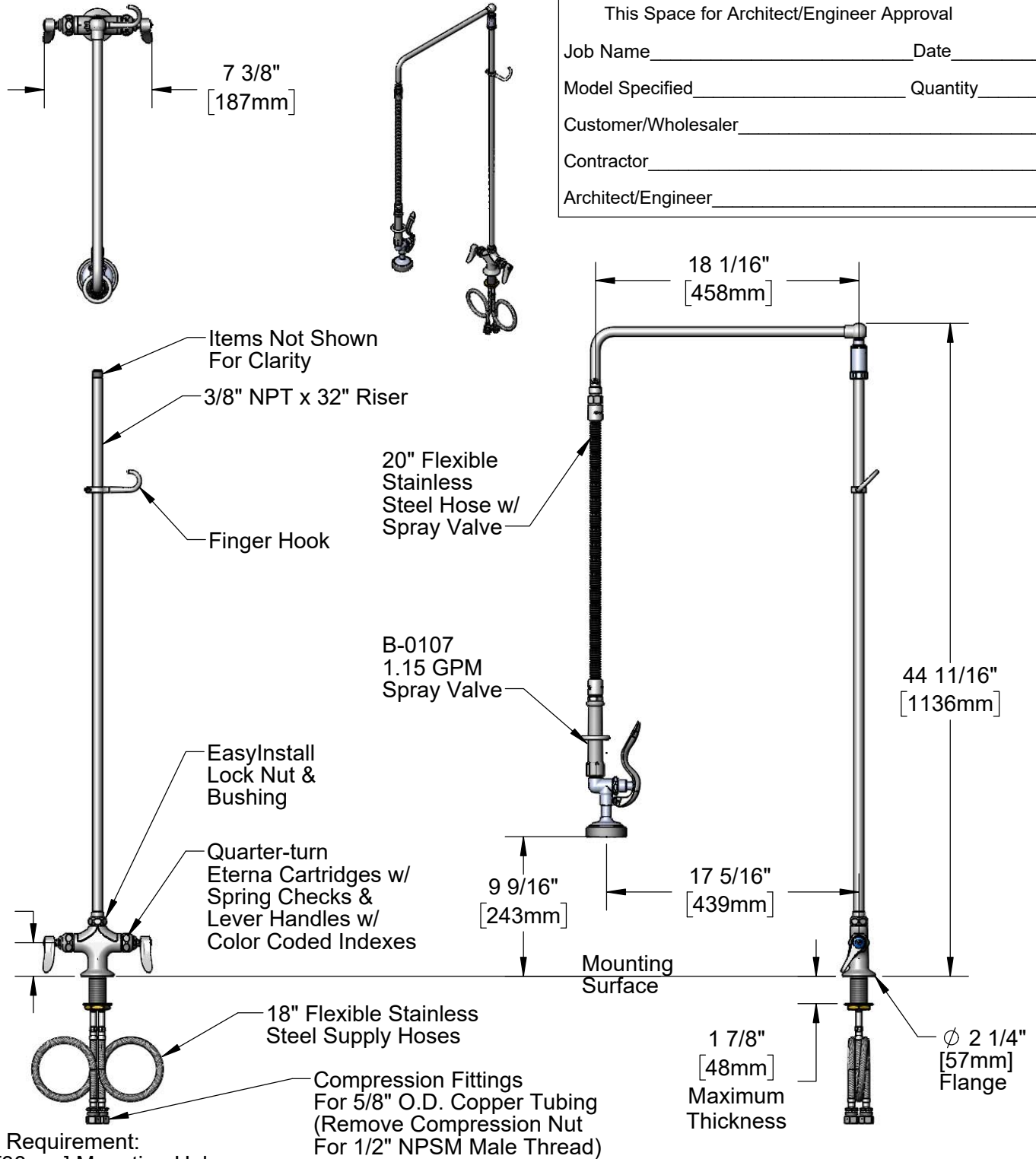
Job Name _____ Date _____

Model Specified _____ Quantity _____

Customer/Wholesaler _____

Contractor _____

Architect/Engineer _____



Rough-In Requirement:
Ø 1 1/2" [38mm] Mounting Hole

Product Specifications:

Pre-Rinse Unit: Single Hole Deck Mount Mixing Faucet, Quarter-Turn Eterna Cartridges w/ Spring Checks, Lever Handles, 18" L-Tube, 20" Flexible Stainless Steel Hose, 1.15 GPM Spray Valve & Flexible Stainless Steel Supply Hoses

Product Compliance:

ASME A112.18.1 / CSA B125.1
NSF 61 - Section 9
NSF 372 (Low Lead Content)
2019 DOE PRSV - Class II

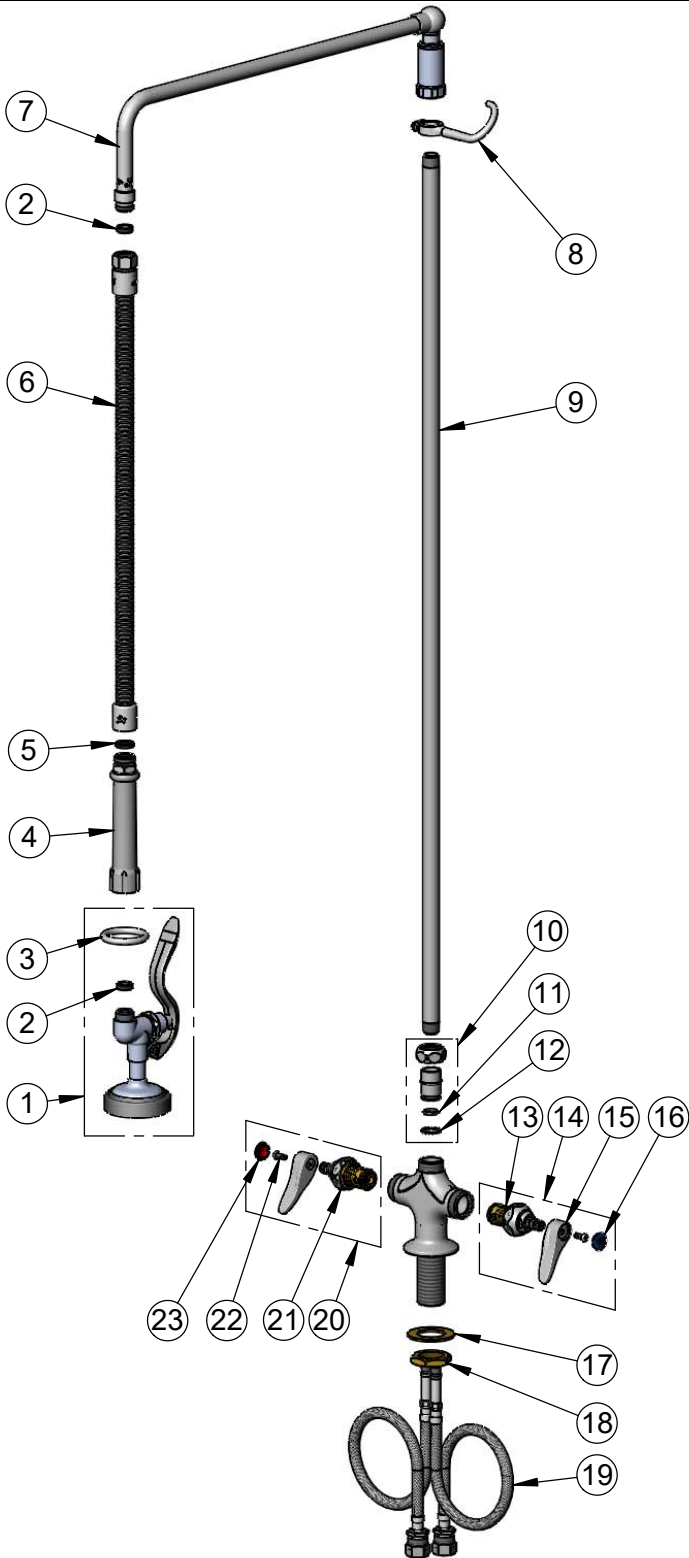


T&S BRASS AND BRONZE WORKS, INC.
 2 Saddleback Cove / P.O. Box 1088
 Travelers Rest, SC 29690

Model No.
B-0112

Item No.

Travelers Rest, SC: 800-476-4103 • Simi Valley, CA: 800-423-0150 • Fax: 864-834-3518 • www.tsbrass.com



ITEM NO.	SALES NO.	DESCRIPTION
1	B-0107	1.15 GPM Spray Valve
2	010476-45	#27 Washer
3	000907-45	Spray Valve Hold Down Ring
4	002987-40	Grip Handle Assembly
5	001014-45	Washer, B-0100 Hose Barrel
6	B-0020-H2A	20" Flexible Stainless Steel Hose, Less Handle
7	002883-40	18" L-Tube
8	004R	Finger Hook
9	016M	3/8" NPT x 38" Riser
10	EZ-K	EasyInstall Kit
11	001065-45	O-ring
12	014200-45	Star Washer, Anti-Rotation
13	012442-40NS	Quarter-Turn Eterna Cartridge w/ Spring Check, LTC
14	002711-40NS	Quarter-Turn Eterna Cartridge w/ Spring Check, Handle, Blue Index & Screw, LTC
15	001638-45NS	Lever Handle (New Style)
16	018506-19NS	Blue Button Index, Press-in
17	002290-45	Lock Washer
18	000965-45	Lock Nut
19	012534-45	18" Flexible Supply Hose (2)
20	002712-40NS	Quarter-Turn Eterna Cartridge w/ Spring Check, Handle, Red Index & Screw, RTC
21	012443-40NS	Quarter-Turn Eterna Cartridge w/ Spring Check, RTC
22	000925-45	Lab Handle Screw
23	001193-19NS	Red Button Index, Press-in

Product Specifications:
 Pre-Rinse Unit: Single Hole Deck Mount Mixing Faucet, Quarter-Turn Eterna Cartridges w/ Spring Checks, Lever Handles, 18" L-Tube, 20" Flexible Stainless Steel Hose, 1.15 GPM Spray Valve & Flexible Stainless Steel Supply Hoses

Product Compliance:
 ASME A112.18.1 / CSA B125.1
 NSF 61 - Section 9
 NSF 372 (Low Lead Content)
 2019 DOE PRSV - Class II