



T&S BRASS AND BRONZE WORKS, INC.

2 Saddleback Cove / P.O. Box 1088
Travelers Rest, SC 29690

Model No.

B-2866-04-CW

Item No.

Travelers Rest, SC: 800-476-4103 • Simi Valley, CA: 800-423-0150 • Fax: 864-834-3518 • www.tsbrass.com



ADA Compliant

This Space for Architect/Engineer Approval

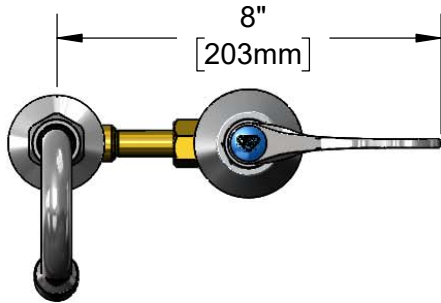
Job Name _____ Date _____

Model Specified _____ Quantity _____

Customer/Wholesaler _____

Contractor _____

Architect/Engineer _____



132X-A22
2 7/8" Swivel Gooseneck w/
2.2 GPM Aerator.
Rigid Conversion Requires
014200-45 Lock Washer
(Included)

Quarter-Turn
Eterna Cartridge w/
Spring Checks &
4" Wrist Action Handle
w/ Color Coded Index

Ø2"
[51mm]
Swivel Deck
Flange

4 1/16"
[103mm]

Mounting Surface

Ø2 1/4"
[57mm]
Escutcheon

2 7/8"
[73mm]

8 7/8"
[225mm]

5 7/8"
[149mm]

1 1/4"
[32mm]
Maximum
Thickness

1/2" NPT
Male Inlet w/
Coupling Nut

4"
[102mm]

Rough-In Requirement:

Center Shank: Ø1" [25mm] Mounting Hole
Cold Side: Ø1 1/2" [38mm] Mounting Hole

Product Specifications:

EasyInstall 4" Concealed Deck Mount Faucet, Cold Quarter-Turn Eterna Cartridge w/ Spring Check, 4" Wrist Action Handle, 2 7/8" Swivel/Rigid Gooseneck, 2.2 GPM Aerator & 1/2" NPT Male Inlet

Product Compliance:

ASME A112.18.1 / CSA B125.1
NSF 61 - Section 9
NSF 372 (Low Lead Content)
ANSI A117.1 (ADA)



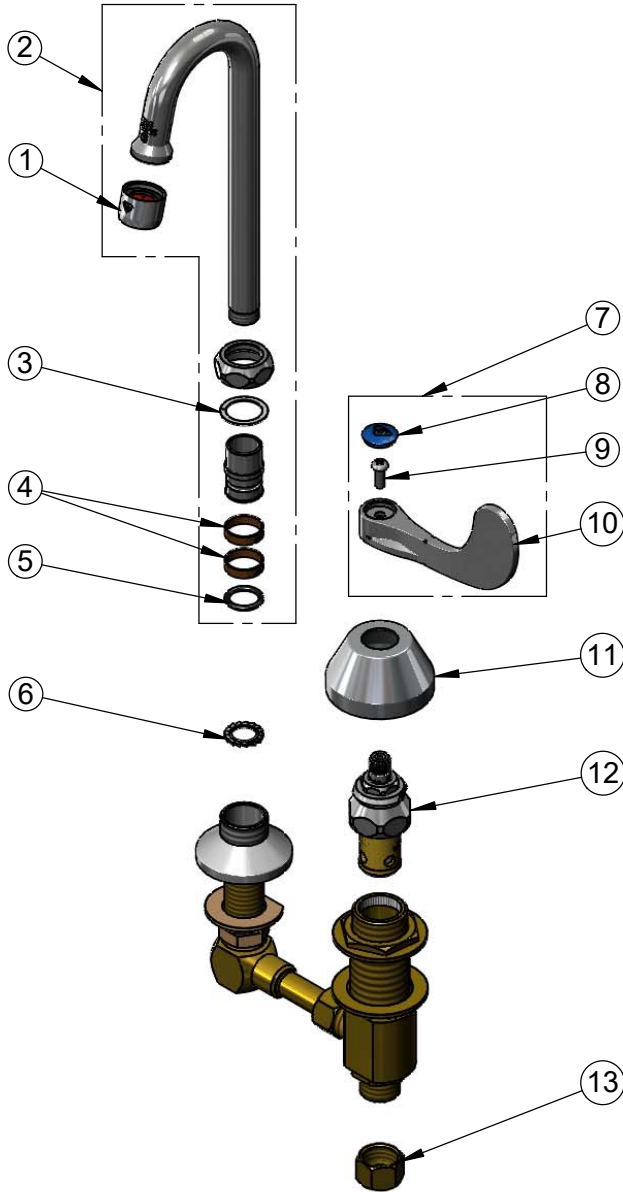
T&S BRASS AND BRONZE WORKS, INC.
 2 Saddleback Cove / P.O. Box 1088
 Travelers Rest, SC 29690

Model No.
B-2866-04-CW

Item No.

Travelers Rest, SC: 800-476-4103 • Simi Valley, CA: 800-423-0150 • Fax: 864-834-3518 • www.tsbrass.com

ITEM NO.	SALES NO.	DESCRIPTION
1	B-0199-01	2.2 GPM Aerator, 55/64-27 UN Female
2	132X-A22	2 7/8" Swivel Gooseneck w/ 2.2 GPM Aerator
3	009538-45	Swivel Washer
4	011429-45	Swivel Sleeves (2)
5	001074-45	O-Ring
6	014200-45	Star Washer, Anti-Rotation
7	B-WH4C-NS	Wrist Action Handle, Blue Index & Screw
8	018506-19NS	Blue Button Index, Press-in
9	000925-45	Lab Handle Screw
10	B-WH4-NS	Wrist Action Handle (New Style)
11	001257-40NS	Bell Escutcheon
12	006477-40NS	CWS Quarter-Turn Eterna Cartridge w/ Spring Check, LTC
13	000958-20	Coupling Nut



Product Specifications:
 EasyInstall 4" Concealed Deck Mount Faucet, Cold Quarter-Turn Eterna Cartridge w/ Spring Check, 4" Wrist Action Handle, 2 7/8" Swivel/Rigid Gooseneck, 2.2 GPM Aerator & 1/2" NPT Male Inlet

Product Compliance:
 ASME A112.18.1 / CSA B125.1
 NSF 61 - Section 9
 NSF 372 (Low Lead Content)
 ANSI A117.1 (ADA)