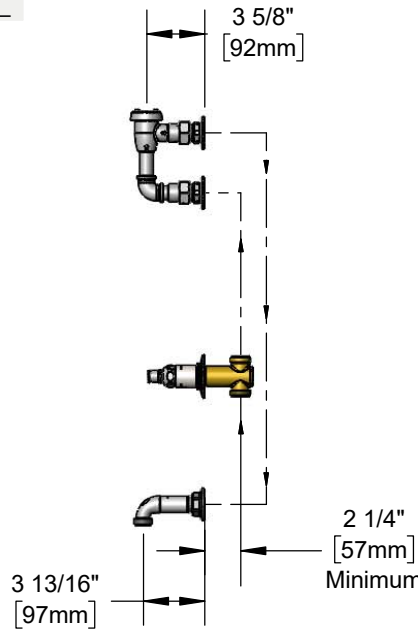
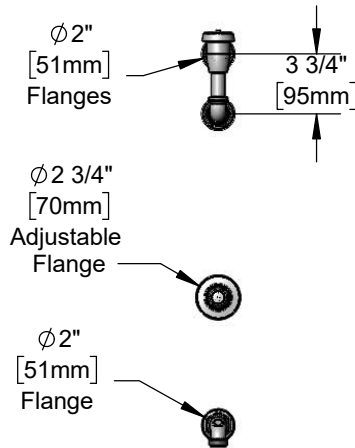




Architect/Engineering Specifications:

Wall mount, loose key style shutoff valve with spring check, brass body and polished chrome plated adjustable wall flange and sleeve, polished chrome plated brass spout with male garden hose outlet, elevated 1/2" atmospheric vacuum breaker assembly, 1/2" NPT female inlets and outlets. Certified to ASME A112.18.1/CSA B125.1 and ASSE 1001.

Job Name _____
 Model Specified _____ Quantity _____
 Variations Specified _____
 Date _____



Features & Benefits:

- Wall mount, loose key style shutoff valve w/ brass body & tee handle
- $\phi 2 \frac{3}{4}''$ polished chrome plated brass adjustable wall flange & sleeve
- Spout w/ male garden hose outlet
- Loose key style shut off valve w/ spring check & tee handle
- $\phi 2''$ polished chrome plated wall flanges
- 1/2" NPT female inlets & outlets
- Elevated 1/2" NPT atmospheric vacuum breaker assembly
- Material: Brass shutoff valve body, polished chrome plated brass spout and wall flanges & metal tee handle

Product Compliance:

- ASME A112.18.1 / CSA B125.1
- NSF 61 - Section 9
- NSF 372 (Low Lead Content)
- ASSE 1001 (VB)

Warranty: One Year (Limited)

Performance Data:

- Pressure: 20 - 125 psi
- Temperature: 40 °F - 140 °F
- Flow Rate: 15.80 GPM @ 60 psi

