

ADA Compliant

*This Space for Architect/Engineer Approval*

Job Name \_\_\_\_\_ Date \_\_\_\_\_

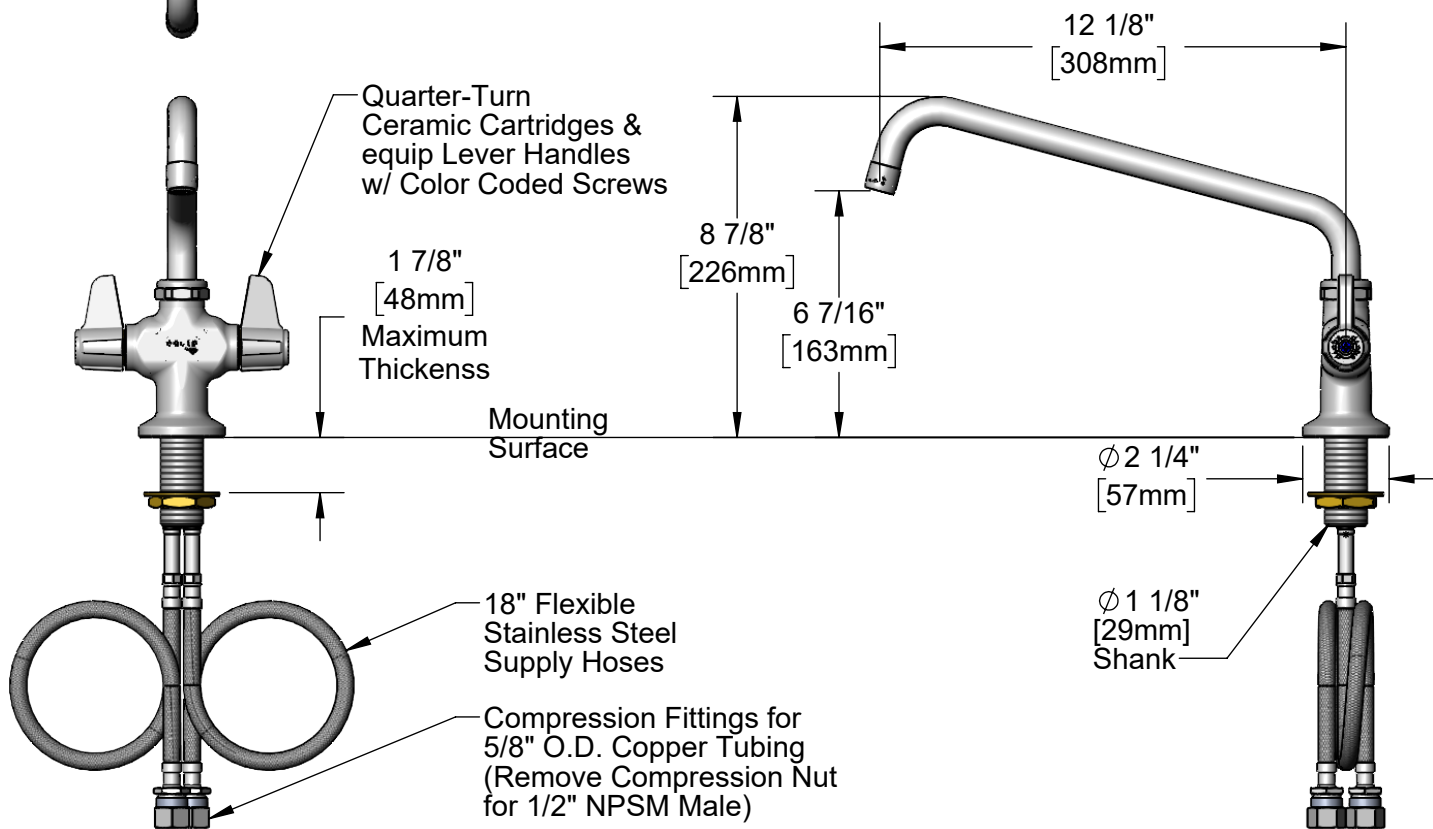
Model Specified \_\_\_\_\_ Quantity \_\_\_\_\_

Customer/Wholesaler \_\_\_\_\_

Contractor \_\_\_\_\_

Architect/Engineer \_\_\_\_\_

5SP-12A  
12" equip Swing Nozzle  
w/ 2.2 GPM Aerator.  
Rigid Conversion Requires  
014200-45 Lock Washer  
(Sold Separately)



Rough-In Requirement:  
Ø 1 1/2" [38mm] Mounting Hole

Model Number  
**5F-2SLX12A**

Product Specifications:  
Single Hole Deck Mount Mixing Faucet w/ Quarter-Turn Ceramic Cartridges, equip Lever Handles, 12" equip Swing Nozzle & 18" Flexible Inlets

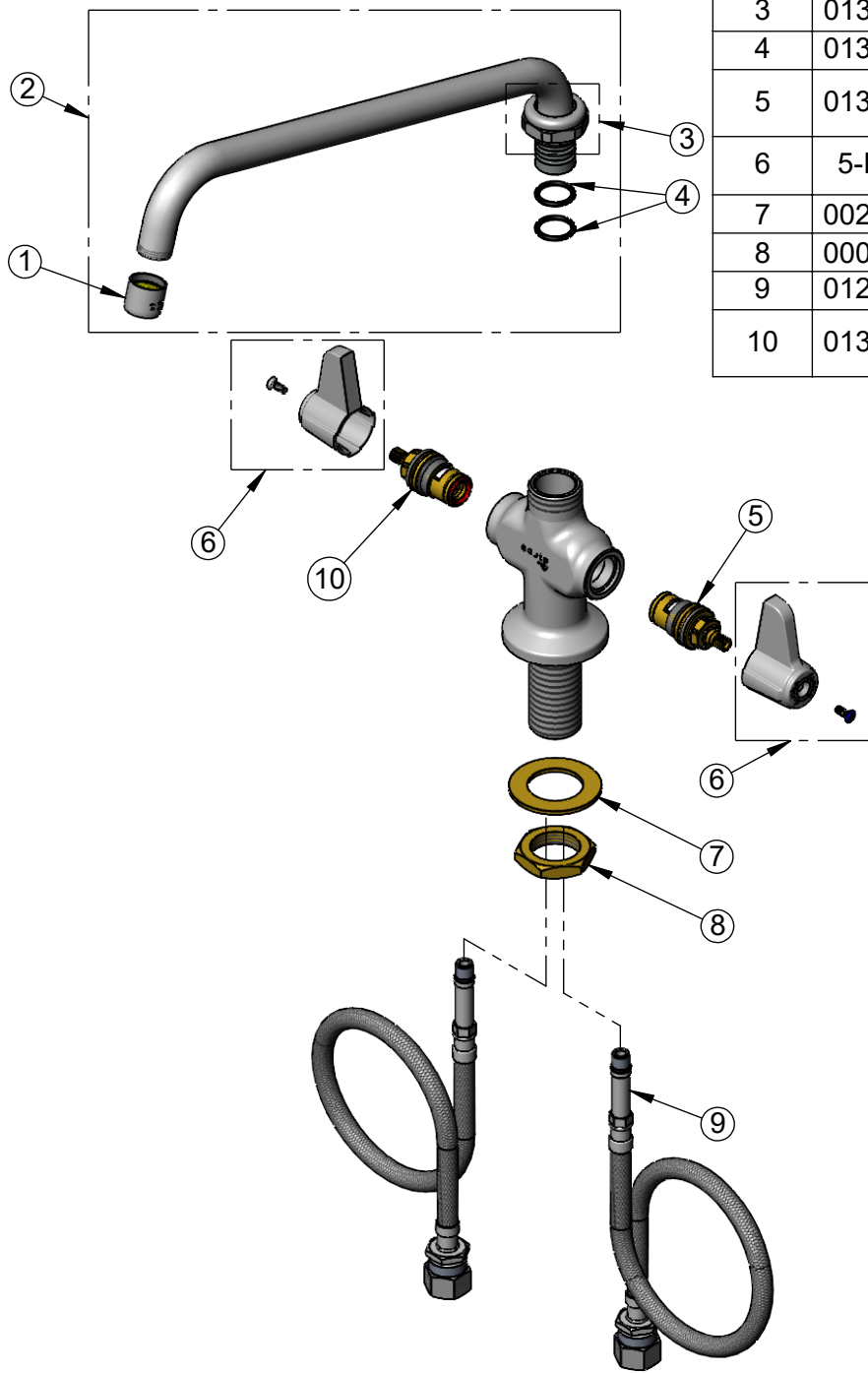
Product Compliance:  
ASME A112.18.1 / CSA B125.1  
NSF 61 - Section 9  
NSF 372 (Low Lead Content)  
ANSI A117.1 (ADA)


equip  
Foodservice  
Accessories

by

2 Saddleback Cove, P.O. Box 1088  
Travelers Rest, South Carolina 29690  
Phone: 800.891.4808 Fax: 800.868.0084  
equip.tsbrass.com

| ITEM NO. | SALES NO. | DESCRIPTION                               |
|----------|-----------|---|
| 1        | 013838-45 | 2.2 GPM Aerator, 3/4-27 UN Female         |
| 2        | 5SP-12A   | 12" equip Swing Nozzle                    |
| 3        | 013839-25 | equip Swivel Nut                          |
| 4        | 013848-45 | equip Swivel Piece O-Ring                 |
| 5        | 013788-45 | equip Quarter-Turn Ceramic Cartridge, LTC |
| 6        | 5-HDL-L   | equip Lever Handle w/ Color Coded Screws  |
| 7        | 002290-45 | Lock Washer                               |
| 8        | 000965-45 | Lock Nut                                  |
| 9        | 012534-45 | 18" Flexible Supply Hose (2)              |
| 10       | 013787-45 | equip Quarter-Turn Ceramic Cartridge, RTC |



|   |              |  |                |
|---|--------------|--|----------------|
| Model Number<br><h1>5F-2SLX12A</h1>   |              | Product Specifications:<br>Single Hole Deck Mount Mixing Faucet w/ Quarter-Turn Ceramic Cartridges, equip Lever Handles, 12" equip Swing Nozzle & 18" Flexible Inlets  |                |
| Product Compliance:<br>ASME A112.18.1 / CSA B125.1<br>NSF 61 - Section 9<br>NSF 372 (Low Lead Content)<br>ANSI A117.1 (ADA) |              |  2 Saddleback Cove, P.O. Box 1088<br>Travelers Rest, South Carolina 29690<br>Phone: 800.891.4808 Fax: 800.868.0084<br><a href="http://equip.tsbrass.com">equip.tsbrass.com</a> |                |
| Drawn: TRK  | Checked: JRM | Approved: JHB  | Date: 07/03/24 |
| Scale: NTS  |              | Sheet: 2 of 2  |                |