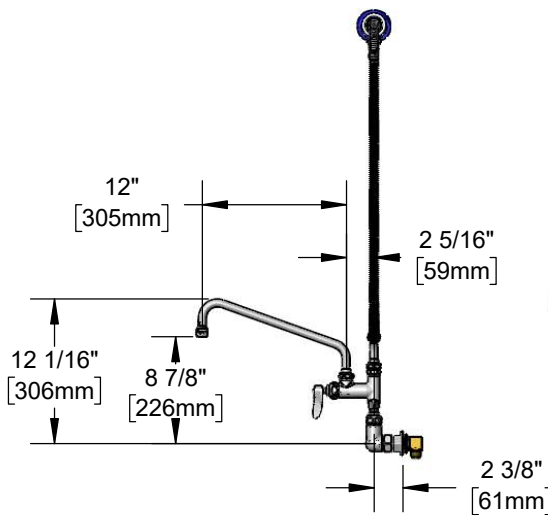
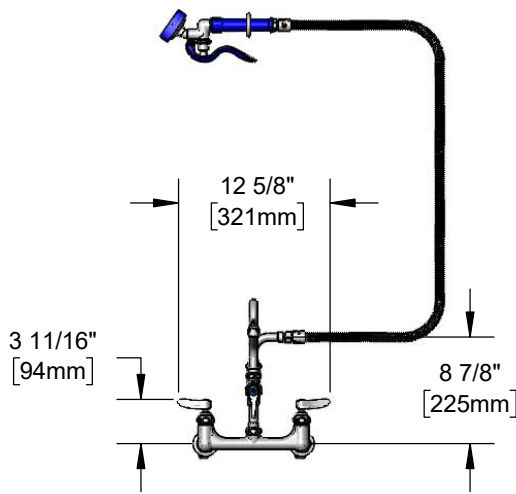




Architect/Engineering Specifications:

8" wall mount mixing faucet with polished chrome plated brass body, add-on faucet, 12" swing nozzle with stream regulator outlet, 72" flexible stainless steel hose, high flow angled spray valve (blue), compression cartridges with spring checks, lever handles, hanger hook, 1/2" NPT female inlets, and 1/2" NPT male elbow installation kit. Certified to ASME A112.18.1 / CSA B125.1 and CSA B64.8.

Job Name _____
Model Specified _____ Quantity _____
Variations Specified _____
Date _____



Features & Benefits:

- 8" wall mount mixing faucet with polished chrome plated brass body
EasyInstall add-on faucet
12" swing nozzle w/ stream regulator outlet, Series 1
72" flexible stainless steel hose w/ heat resistant blue handle and hold down ring
High flow angled spray valve
Quarter-turn Eterna cartridges with spring checks to prevent cross flow of water
Lever handles w/ color coded indexes
1/2" NPT female eccentric inlets w/ Ø 2" flanges
1/2" NPT male elbow installation kit
Adjustable centers from 7 3/4" to 8 1/4"
Material: Polished chrome plated brass body & tubular spout and chrome plated metal handles

Product Compliance:

- ASME A112.18.1 / CSA B125.1
NSF 61 Exempt (Non-Potable)
CSA B64.8 (VB)
2019 DOE PRSV Non-Compliant



Warranty: One Year (Limited)

Performance Data:

- Pressure: 20 - 125 psi
Temperature: 40°F - 140°F
Flow Rate:
Spray Valve: 4.10 GPM @ 60 psi
Add-On Faucet: TBD GPM @ 60 psi

Optional Outlets (Series 1 / VR Series 6)

Table with 5 columns: GPM, Aerated, Non-Aerated (Laminar), VR Aerated, VR Non-Aerated (VR Laminar). Rows list various cartridge options for flow rates from 0.35 to 2.2 GPM.

Optional Cartridges With Checks

- Quarter-Turn Cerama w/ Check Valve
Quarter-Turn Eterna w/ Spring Check (Standard)

Optional Handles

- 4" Wrist Action
Lever (Standard)
4-Arm

Optional Pre-Rinse Spray Valves

- B-0107 (1.15 GPM)
B-0107-C (0.65 GPM)
B-0107-J (1.07 GPM)
B-0108 (1.07 GPM)
B-0108-C (0.65 GPM)

