



T&S BRASS AND BRONZE WORKS, INC.

2 Saddleback Cove / P.O. Box 1088
Travelers Rest, SC 29690

Model No.

B-2892-QDSV

Item No.

Travelers Rest, SC: 800-476-4103 • Simi Valley, CA: 800-423-0150 • Fax: 864-834-3518 • www.tsbrass.com



B-1421

Quick Connect
1.15 GPM Spray Head
(2019 DOE PRSV -
Class II Compliant)



B-1424

Quick Connect
Hook Nozzle
(2019 DOE PRSV
Non-Compliant)

This Space for Architect/Engineer Approval

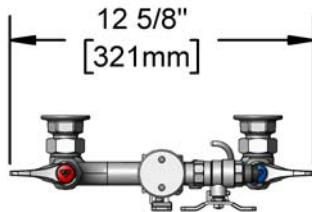
Job Name _____ Date _____

Model Specified _____ Quantity _____

Customer/Wholesaler _____

Contractor _____

Architect/Engineer _____

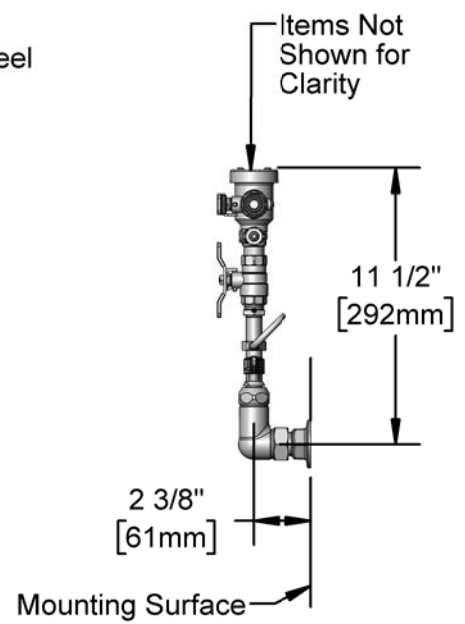
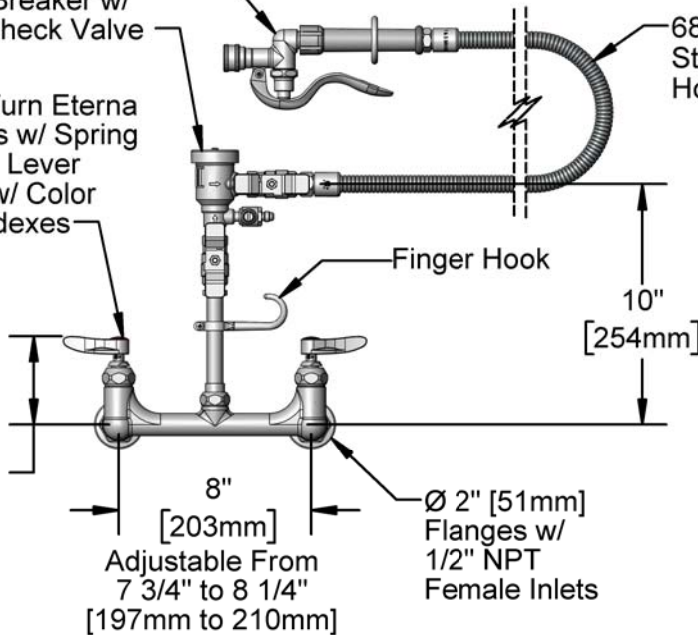


B-1420
Quick Connect Socket
& Squeeze Valve

B-0963
Continuous Pressure
Vacuum Breaker w/
Integral Check Valve

Quarter-Turn Eterna
Cartridges w/ Spring
Checks & Lever
Handles w/ Color
Coded Indexes

3 11/16"
[94mm]



Product Specifications:

Kettle & Pot Filler 8" Wall Mount Mixing Faucet, Quarter-Turn Eterna Cartridges w/ Spring Checks, Vacuum Breaker, 68" Flexible Stainless Steel Hose, Quick Connect Squeeze Valve, Quick Connect Hook Nozzle, Quick Connect Spray Head & 1/2" NPT Female Inlets

Product Compliance:

ASME A112.18.1 / CSA B125.1
NSF 61 - Section 9
NSF 372 (Low Lead Content)
ASSE 1056 (VB)
2019 DOE PRSV - Class II, B-1421 Only



T&S BRASS AND BRONZE WORKS, INC.

2 Saddleback Cove / P.O. Box 1088
Travelers Rest, SC 29690

Model No.

B-2892-QDSV

Item No.

Travelers Rest, SC: 800-476-4103 • Simi Valley, CA: 800-423-0150 • Fax: 864-834-3518 • www.tsbrass.com

ITEM NO.	SALES NO.	DESCRIPTION
1	002712-40NS	Quarter-Turn Eterna Cartridge w/ Spring Check, Handle, Red Index & Screw, RTC
2	012443-40NS	Quarter-Turn Eterna Cartridge w/ Spring Check, RTC
3	000925-45	Lab Handle Screw
4	001193-19NS	Red Button Index, Press-in
5	000361-40	Nipple, 3/8" NPT x 5"
6	004R	Finger Hook
7	001359-40	Hex Bushing, 1/2" NPT Male x 3/8" NPT Female
8	B-0963	Vacuum Breaker 1/2 NPT Female
9	B-1420	Quick Connect Self Closing Squeeze Valve
10	010476-45	#27 Washer
11	000907-45	Spray Valve Hold Down Ring
12	B-0068-H	68" Flexible Stainless Steel Hose w/ Handle
13	055A	Adapter, 1/2 NPT Male
14	EZ-K	EasyInstall Kit
15	001065-45	O-ring
16	014200-45	Star Washer, Anti-Rotation
17	018506-19NS	Blue Button Index, Press-in
18	001638-45NS	Lever Handle (New Style)
19	012442-40NS	Quarter-Turn Eterna Cartridge w/ Spring Check, LTC
20	002711-40NS	Quarter-Turn Eterna Cartridge w/ Spring Check, Handle, Blue Index & Screw, LTC
21	00AA	1/2" NPT Female Eccentric Flange
22	001019-45	Coupling Nut Washer
23	B-1424	Hook Nozzle
24	B-1421	1.15 GPM Spray Head

Product Specifications:
Kettle & Pot Filler 8" Wall Mount Mixing Faucet, Quarter-Turn Eterna Cartridges w/ Spring Checks, Vacuum Breaker, 68" Flexible Stainless Steel Hose, Quick Connect Squeeze Valve, Quick Connect Hook Nozzle, Quick Connect Spray Head & 1/2" NPT Female Inlets

Product Compliance:
ASME A112.18.1 / CSA B125.1
NSF 61 - Section 9
NSF 372 (Low Lead Content)
ASSE 1056 (VB)
2019 DOE PRSV - Class II, B-1421 Only