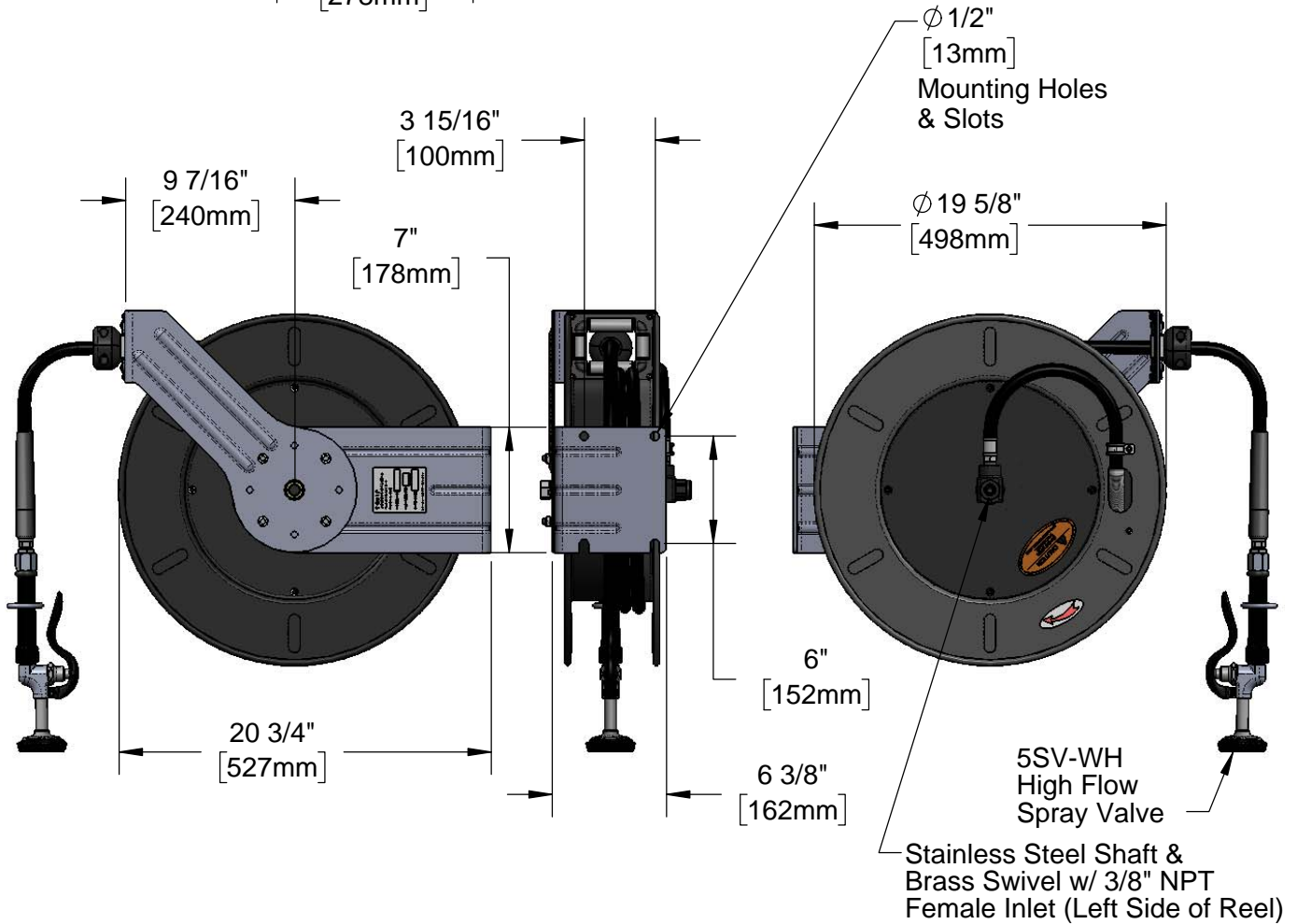
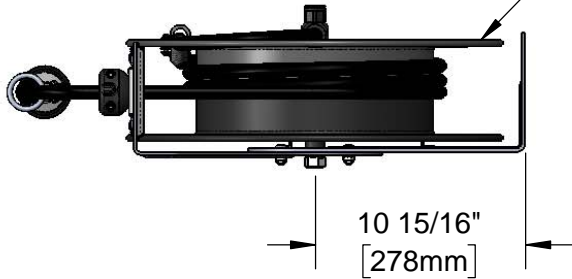


This Space for Architect/Engineer Approval

Job Name _____ Date _____
 Model Specified _____ Quantity _____
 Customer/Wholesaler _____
 Contractor _____
 Architect/Engineer _____



Black Powder Coated Steel w/ \varnothing 3/8" x 50' Hose



Model Number

5HR-242-01

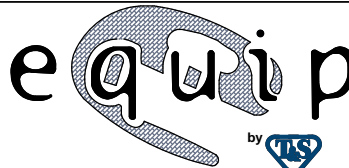
Product Specifications:

Black Powder Coated Steel, Open Hose Reel
 w/ \varnothing 3/8" x 50' Hose & High Flow Spray Valve

Product Compliance:

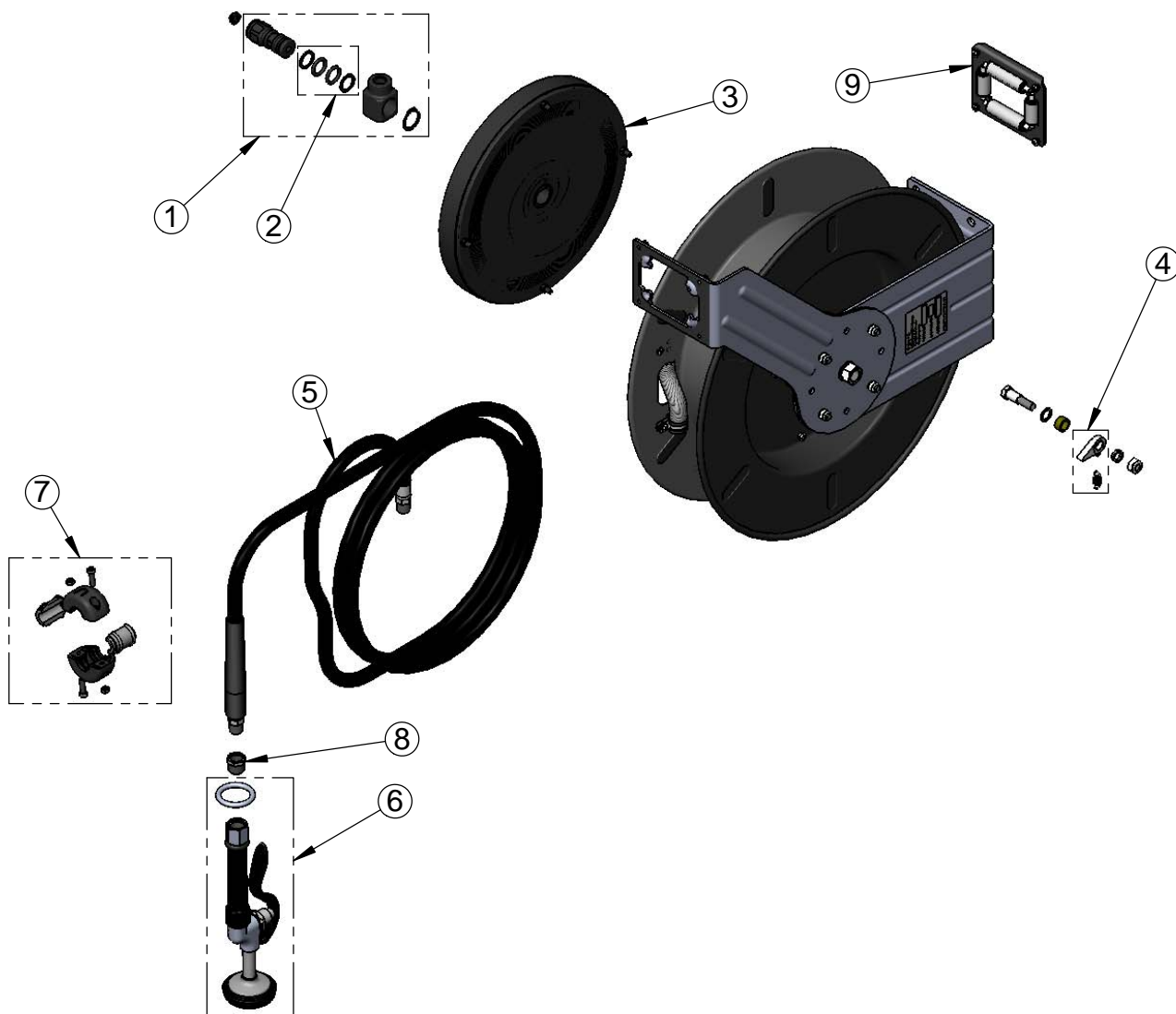
EPAAct 2005 Non-Compliant (PRSV)
 NSF 61 Exempt (Non-Potable)

equip
 Foodservice
 Accessories



2 Saddleback Cove, P.O. Box 1088
 Travelers Rest, South Carolina 29690
 Phone: 800.891.4808 Fax: 800.868.0084
 equip.tsbrass.com

ITEM NO.	SALES NO.	DESCRIPTION
1	5HR-2SA	Complete 3/8" Swivel
2	014948-45	Seal Kit
3	G016684-45	Spring
4	014940-45	Ratchet Repair Kit
5	5HR-2HSE-50	Ø 3/8" x 50' Hose
6	5SV-WH	Hose Reel Spray Valve
7	019246-45	Hose Stop Repair Kit
8	001359-40	Adapter, 1/2" NPT Male x 3/8" NPT Female
9	G016635-45	Roller Kit



Model Number

5HR-242-01

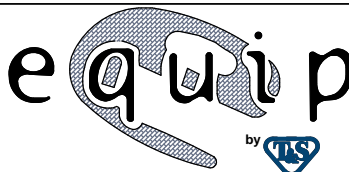
Product Specifications:

**Black Powder Coated Steel, Open Hose Reel
w/ Ø3/8" x 50' Hose & High Flow Spray Valve**

Product Compliance:

EPA Act 2005 Non-Compliant (PRSV)
NSF 61 Exempt (Non-Potable)

equip
Foodservice
Accessories



2 Saddleback Cove, P.O. Box 1088
Travelers Rest, South Carolina 29690
Phone: 800.891.4808 Fax: 800.868.0084
equip.tsbrass.com