



T&S BRASS AND BRONZE WORKS, INC.

2 Saddleback Cove / P.O. Box 1088
Travelers Rest, SC 29690

Model No.

B-1146-XS-F12

Item No.

Travelers Rest, SC: 800-476-4103 • Simi Valley, CA: 800-423-0150 • Fax: 864-834-3518 • www.tsbrass.com



ADA Compliant



This Space for Architect/Engineer Approval

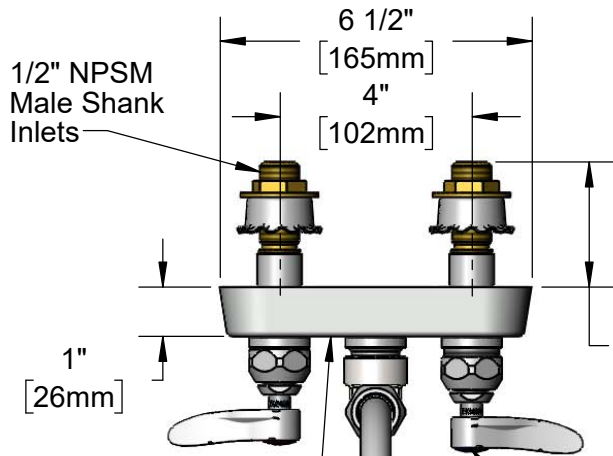
Job Name _____ Date _____

Model Specified _____ Quantity _____

Customer/Wholesaler _____

Contractor _____

Architect/Engineer _____



1/2" NPSM Male Shank Inlets

6 1/2" [165mm]

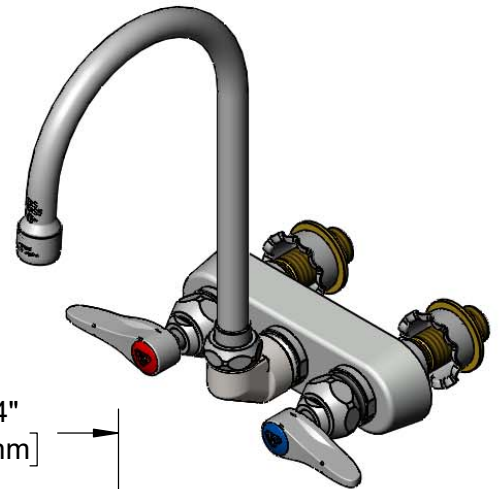
4" [102mm]

1" [26mm]

2 5/8" [66mm]

Polished Chrome Plated Escutcheon

Quarter-Turn Eterna Cartridges w/ Spring Checks & Lever Handles w/ Color Coded Indexes



Swivel Joint Converts to Rigid w/ 014200-45 Lock Washer (Included)

133X-A12 5 3/4" Swivel Gooseneck w/ 1.2 GPM Aerator

10 11/16" [271mm]

5 3/4" [145mm]

6 3/16" [158mm]

(2) 150A Optional Tailpieces & Nuts for 1/4" NPT Connection (Included)

2" [51mm]

8 5/8" [219mm]

2 5/8" [66mm]

1 1/8" [29mm]

Mounting Surface

Maximum Thickness

Rough-In Requirement:
(2) \varnothing 1" [25mm] Mounting Holes

Product Specifications:

4" Wall Mount Workboard Faucet, Quarter-Turn Eterna Cartridges w/ Spring Checks, Lever Handles, 5 3/4" Swivel Gooseneck, 1.2 GPM Aerator & 1/2" NPSM Male Extended Inlets

Product Compliance:

ASME A112.18.1 / CSA B125.1
NSF 61 - Section 9
NSF 372 (Low Lead Content)
ANSI A117.1 (ADA)
EPA WaterSense



T&S BRASS AND BRONZE WORKS, INC.

2 Saddleback Cove / P.O. Box 1088
Travelers Rest, SC 29690

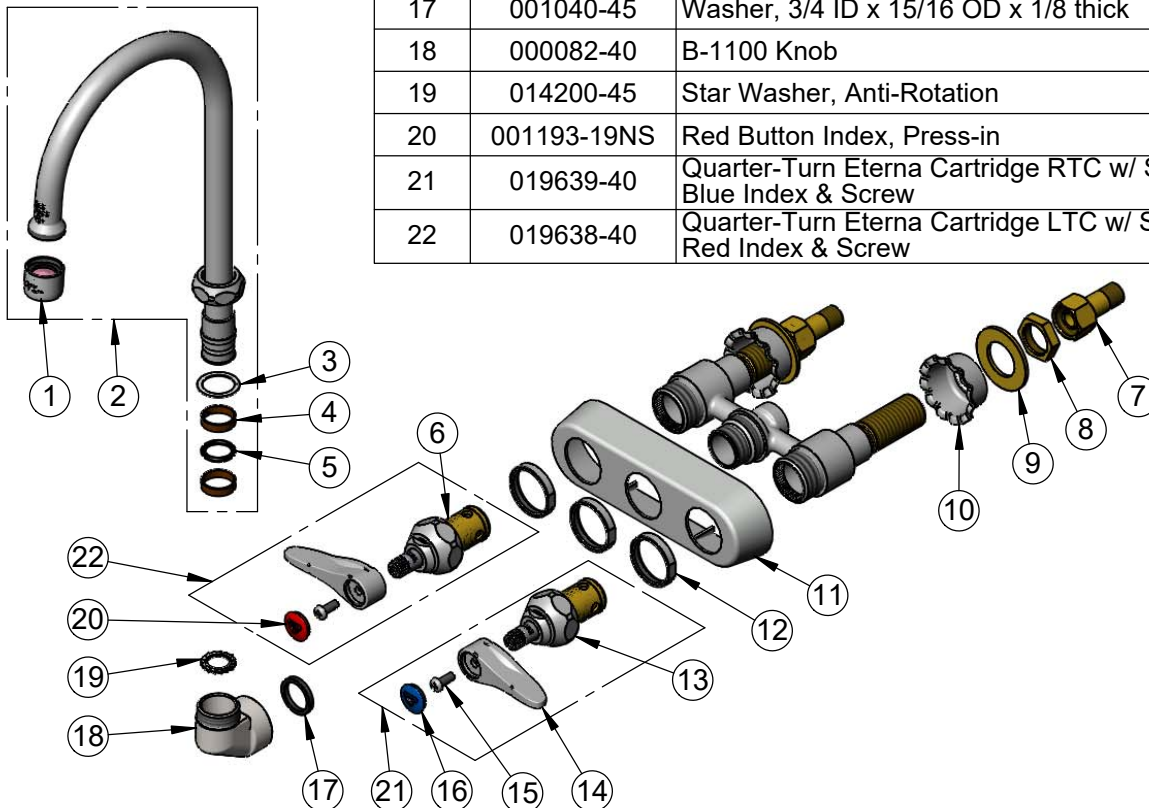
Model No.

B-1146-XS-F12

Item No.

Travelers Rest, SC: 800-476-4103 • Simi Valley, CA: 800-423-0150 • Fax: 864-834-3518 • www.tsbrass.com

| ITEM NO. | SALES NO. | DESCRIPTION |
|----------|---------------|---|
| 1 | B-0199-01-F12 | 1.2 GPM Aerator, 55/64-27 UN Female |
| 2 | 133X-A12 | 5 3/4" Swivel Gooseneck w/ 1.2 GPM Aerator |
| 3 | 009538-45 | Swivel Washer |
| 4 | 011429-45 | Swivel Sleeves (2) |
| 5 | 001074-45 | O-Ring |
| 6 | 012442-40NS | Quarter-Turn New Style Eterna Cartridge w/ Spring Check, LTC |
| 7 | 150A | 1/4" NPT Tailpiece & Nut |
| 8 | 002954-45 | Shank Lock Nut |
| 9 | 000999-45 | Brass Lock Washer |
| 10 | 001000-45 | Rosette Washer |
| 11 | 019374-40 | B-1110 Eterna Workboard Escutcheon |
| 12 | 019376-40 | Escutcheon Lock Nut |
| 13 | 012443-40NS | Quarter-Turn New Style Eterna Cartridge w/ Spring Check, RTC |
| 14 | 001638-45NS | Lever Handle (New Style) |
| 15 | 000925-45 | Lab Handle Screw |
| 16 | 018506-19NS | Blue Button Index, Press-in |
| 17 | 001040-45 | Washer, 3/4 ID x 15/16 OD x 1/8 thick |
| 18 | 000082-40 | B-1100 Knob |
| 19 | 014200-45 | Star Washer, Anti-Rotation |
| 20 | 001193-19NS | Red Button Index, Press-in |
| 21 | 019639-40 | Quarter-Turn Eterna Cartridge RTC w/ Spring Check, Handle, Blue Index & Screw |
| 22 | 019638-40 | Quarter-Turn Eterna Cartridge LTC w/ Spring Check, Handle, Red Index & Screw |



Product Specifications:

4" Wall Mount Workboard Faucet, Quarter-Turn Eterna Cartridges w/ Spring Checks, Lever Handles, 5 3/4" Swivel Gooseneck, 1.2 GPM Aerator & 1/2" NPSM Male Extended Inlets

Product Compliance:

ASME A112.18.1 / CSA B125.1
NSF 61 - Section 9
NSF 372 (Low Lead Content)
ANSI A117.1 (ADA)
EPA WaterSense