



T&S BRASS AND BRONZE WORKS, INC.
 2 Saddleback Cove / P.O. Box 1088
 Travelers Rest, SC 29690

Model No.
B-7161-C

Item No.

Travelers Rest, SC: 800-476-4103 • Simi Valley, CA: 800-423-0150 • Fax: 864-834-3518 • www.tsbrass.com

This Space for Architect/Engineer Approval

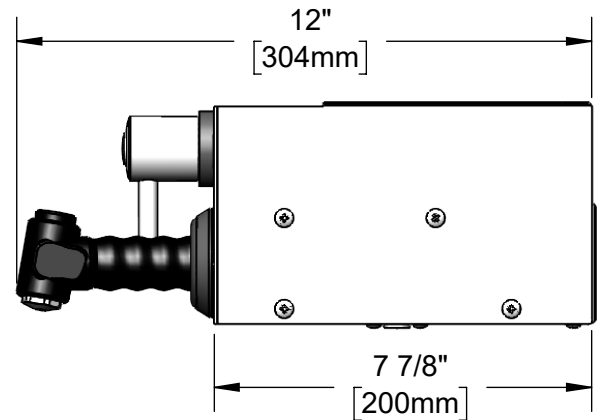
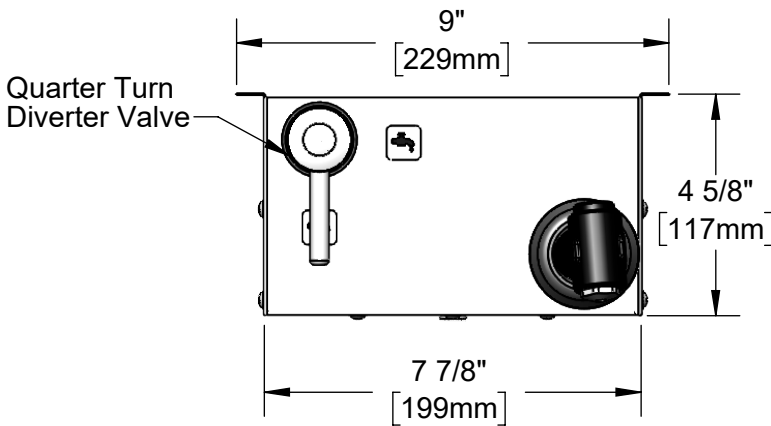
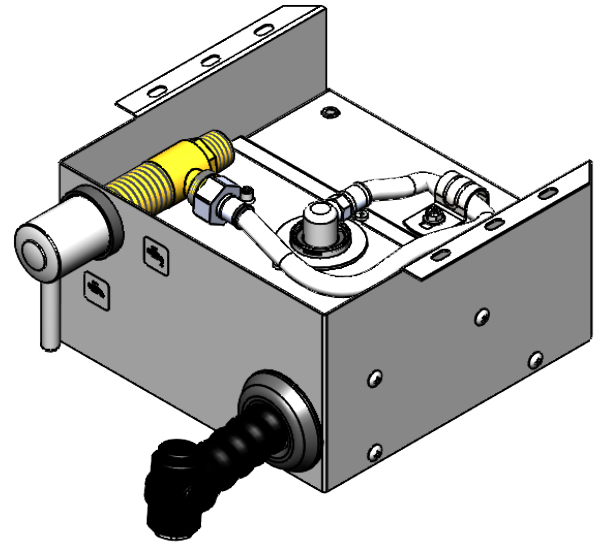
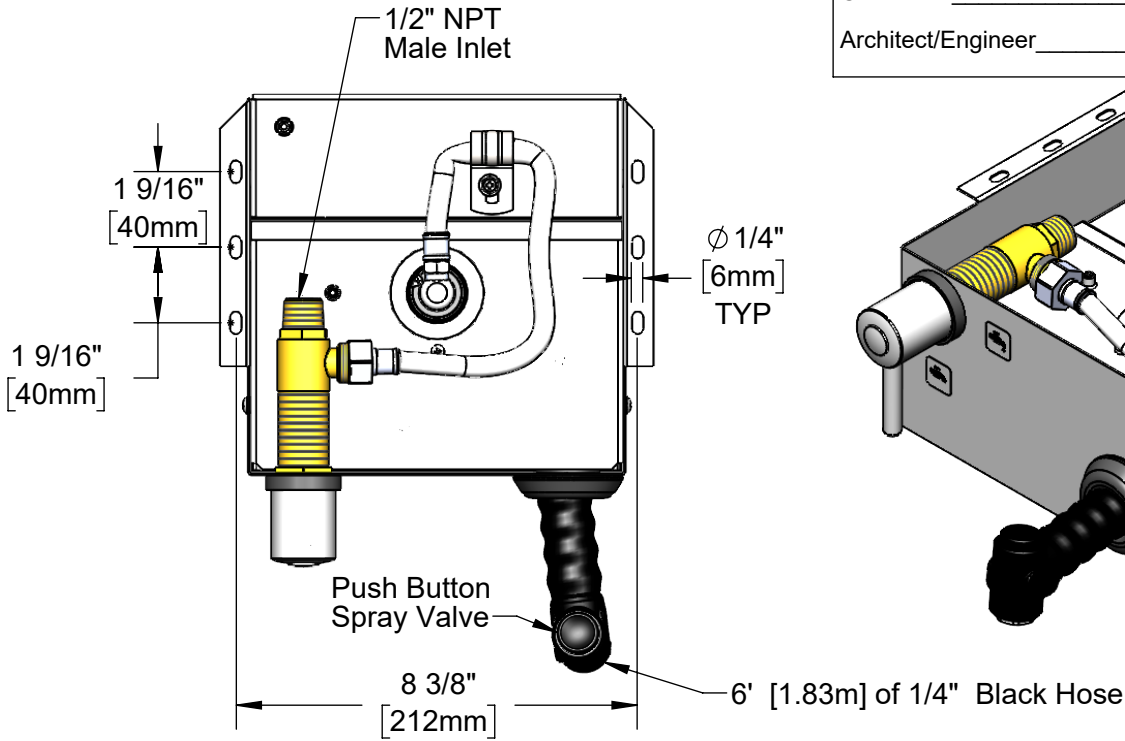
Job Name _____ Date _____

Model Specified _____ Quantity _____

Customer/Wholesaler _____

Contractor _____

Architect/Engineer _____



Product Specifications:

6' Combi Oven Hose Reel w/ Stainless Steel Shroud, Retractable Hose with Push Button Spray Valve, 1/2" NPT Supply Nipple & Quarter-Turn Valve

Product Compliance:

NSF 61 Exempt (Non-Potable)
 2019 DOE PRSV Non-Compliant