



# T&S BRASS AND BRONZE WORKS, INC.

2 Saddleback Cove / P.O. Box 1088  
Travelers Rest, SC 29690

Model No.

**B-1035**

Item No.

Travelers Rest, SC: 800-476-4103 • Simi Valley, CA: 800-423-0150 • Fax: 864-834-3518 • www.tsbrass.com



**ADA Compliant**

This Space for Architect/Engineer Approval

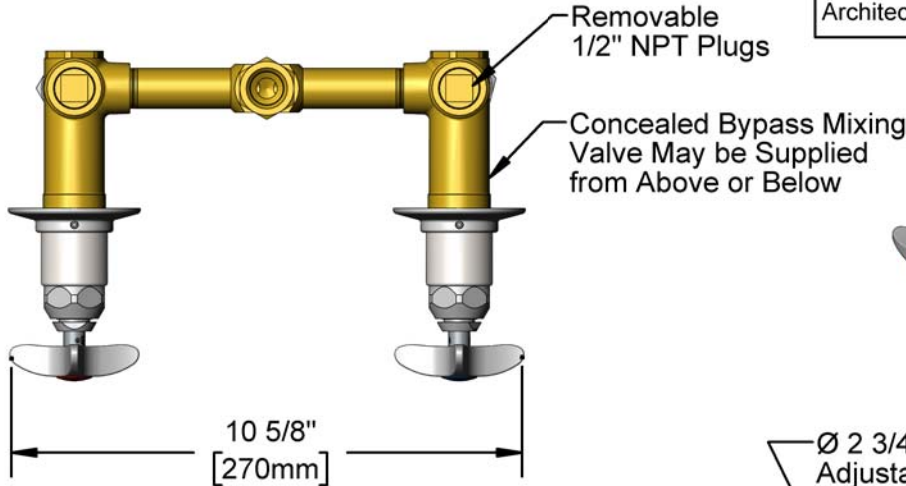
Job Name \_\_\_\_\_ Date \_\_\_\_\_

Model Specified \_\_\_\_\_ Quantity \_\_\_\_\_

Customer/Wholesaler \_\_\_\_\_

Contractor \_\_\_\_\_

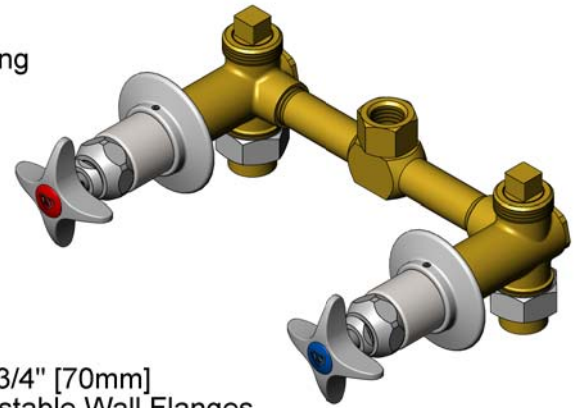
Architect/Engineer \_\_\_\_\_



Removable 1/2" NPT Plugs

Concealed Bypass Mixing Valve May be Supplied from Above or Below

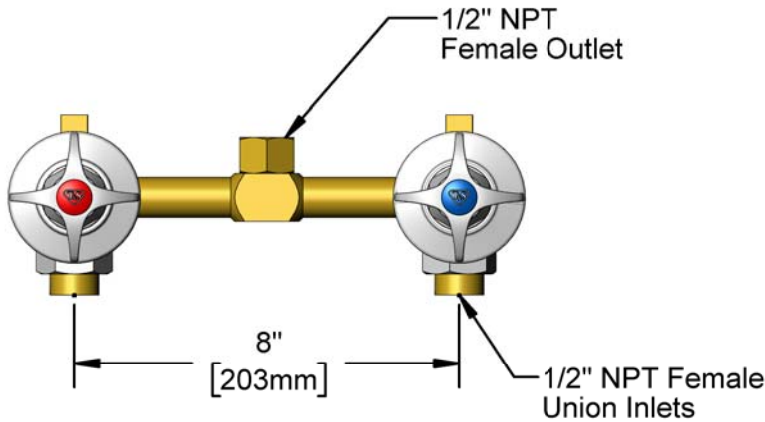
10 5/8" [270mm]



Quarter-Turn Eterna Cartridges w/ Spring Checks & 4-Arm Handles w/ Color Coded Indexes

Ø 2 3/4" [70mm] Adjustable Wall Flanges w/ Set Screws

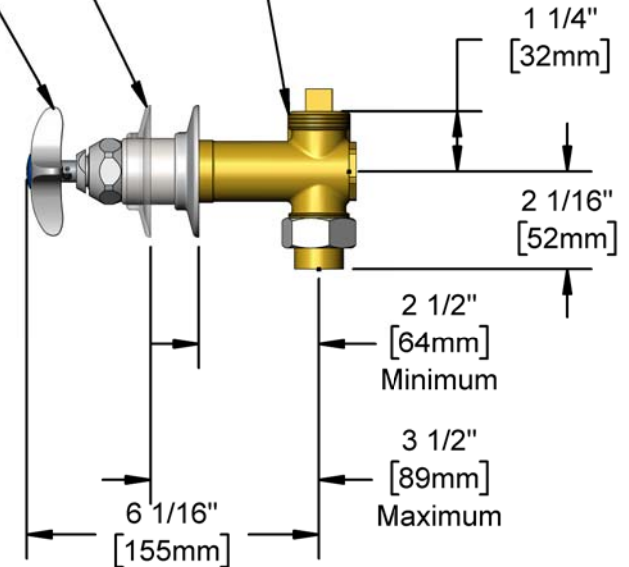
1/2" NPT Female Inlet Threads w/ Male 1 1/4-14 Thread For T&S Union Coupling Nut



1/2" NPT Female Outlet

8" [203mm]

1/2" NPT Female Union Inlets



1 1/4" [32mm]

2 1/16" [52mm]

2 1/2" [64mm] Minimum

3 1/2" [89mm] Maximum

6 1/16" [155mm]

Rough-In Requirement:  
(2) Ø 1 1/2" [38mm] Mounting Holes

Product Specifications:  
8" Concealed Bypass Mixing Valve, Quarter-Turn Eterna Cartridges w/ Spring Checks, 4-Arm Handles, Adjustable Wall Flanges, 1/2" NPT Female Outlet & 1/2" NPT Female Inlet

Product Compliance:  
ASME A112.18.1 / CSA B125.1  
NSF 61 - Section 9  
NSF 372 (Low Lead Content)  
ANSI A117.1 (ADA)  
Product Not Designed/Intended for Bath/ Shower Applications



# T&S BRASS AND BRONZE WORKS, INC.

2 Saddleback Cove / P.O. Box 1088  
Travelers Rest, SC 29690

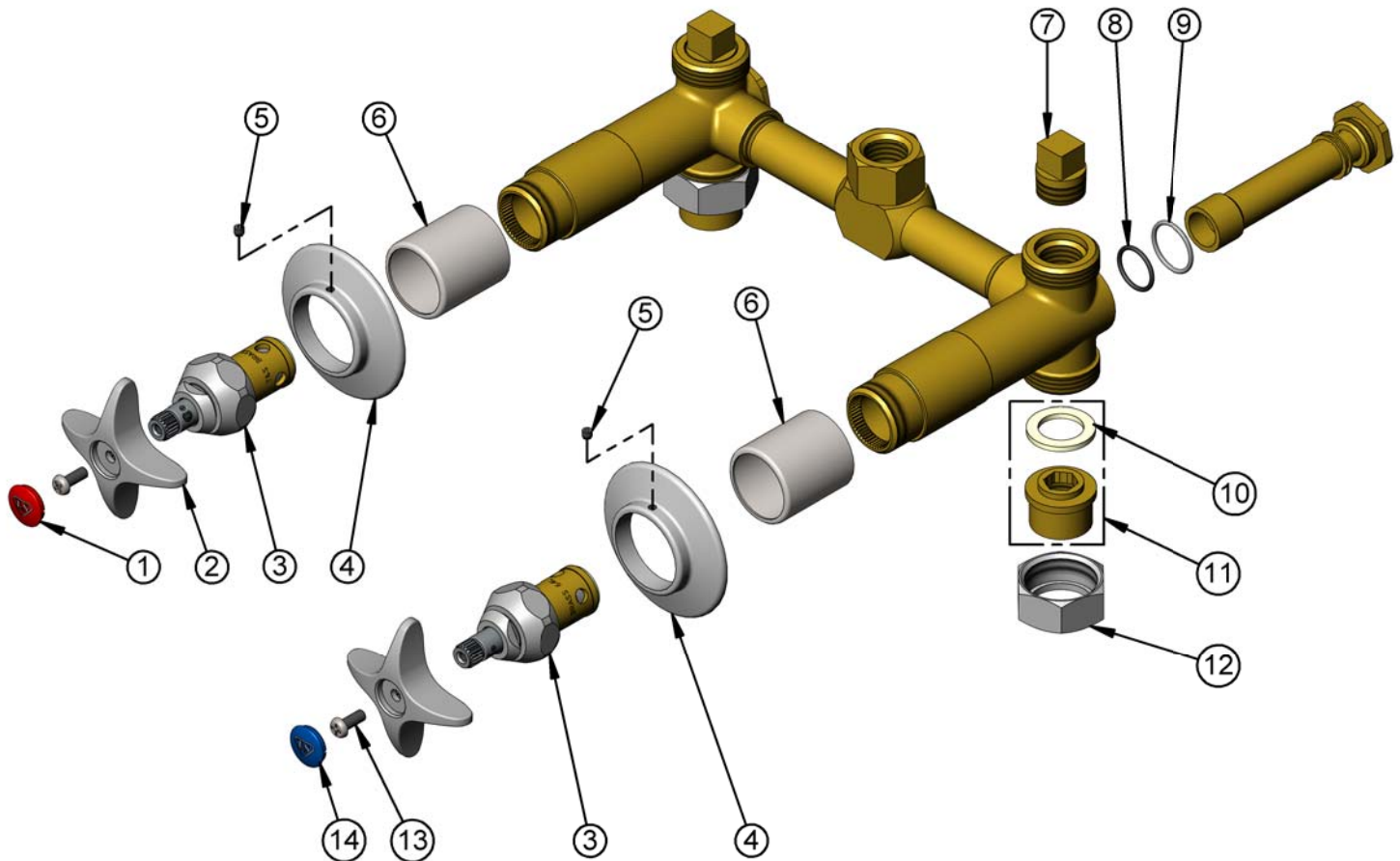
Model No.

**B-1035**

Item No.

Travelers Rest, SC: 800-476-4103 • Simi Valley, CA: 800-423-0150 • Fax: 864-834-3518 • www.tsbrass.com

ITEM NO.	SALES NO.	DESCRIPTION
1	001193-19NS	Red Button Index, Press-in
2	002521-45NS	4-Arm Handle (New Style)
3	012443-40NS	Quarter-Turn Eterna Cartridge w/ Spring Check, RTC
4	001501-40	Escutcheon
5	000939-45	Escutcheon, Set Screw
6	151F	Escutcheon Tube
7	001347-20	1/2" NPT Plug
8	001062-45	O-Ring
9	001702-45	O-Ring
10	001019-45	Coupling Nut Washer
11	153F	Union Half, 1/2" NPT w/ Washer
12	000721-25	Flange Coupling Nut
13	000925-45	Lab Handle Screw
14	018506-19NS	Blue Button Index, Press-in



**Product Specifications:**

8" Concealed Bypass Mixing Valve, Quarter-Turn Eterna Cartridges w/ Spring Checks, 4-Arm Handles, Adjustable Wall Flanges, 1/2" NPT Female Outlet & 1/2" NPT Female Inlet

**Product Compliance:**

ASME A112.18.1 / CSA B125.1  
NSF 61 - Section 9  
NSF 372 (Low Lead Content)  
ANSI A117.1 (ADA)  
Product Not Designed/Intended for Bath/  
Shower Applications