



T&S BRASS AND BRONZE WORKS, INC.
 2 Saddleback Cove / P.O. Box 1088
 Travelers Rest, SC 29690

Model No.
B-0800-F10

Item No.

Travelers Rest, SC: 800-476-4103 • Simi Valley, CA: 800-423-0150 • Fax: 864-834-3518 • www.tsbrass.com



ADA Compliant

This Space for Architect/Engineer Approval

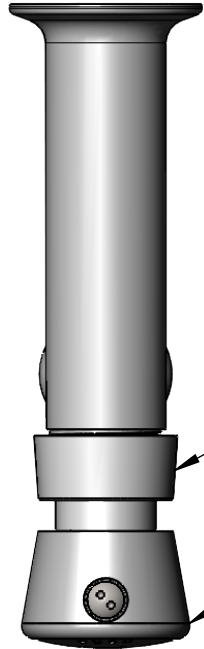
Job Name _____ Date _____

Model Specified _____ Quantity _____

Customer/Wholesaler _____

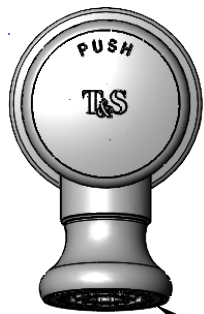
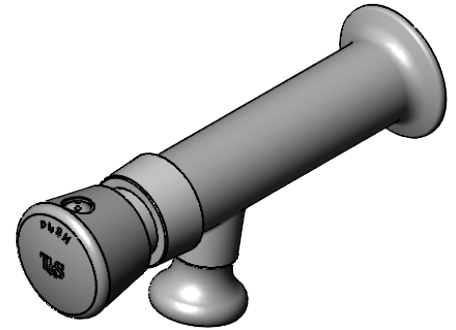
Contractor _____

Architect/Engineer _____

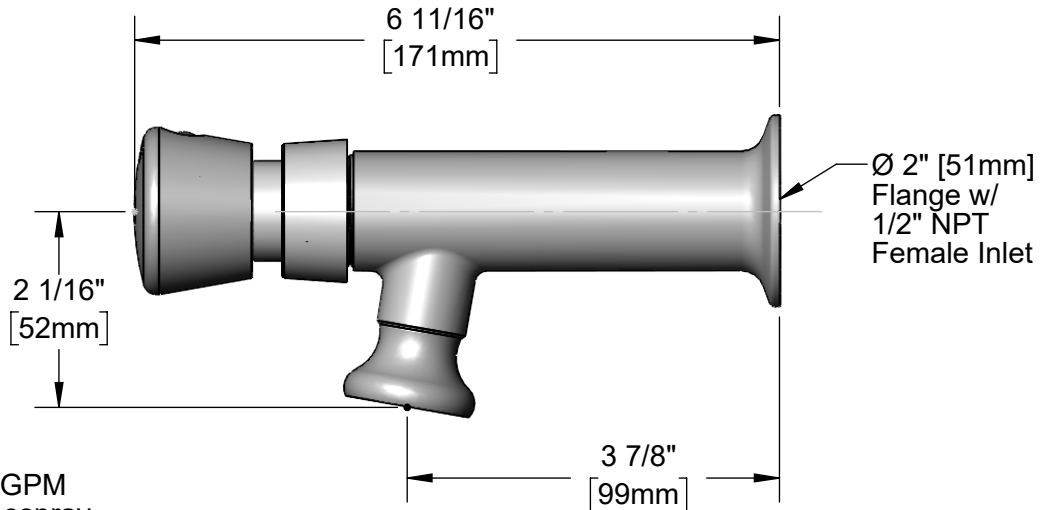


Metering Cartridge
 (Requires 3/32" Hex
 Key for Adjustment)

Blank Push Button Cap
 & Spanner Bit



1.0 GPM
 Rosespray
 Outlet



Product Specifications:
 Wash Sink Metering Faucet w/ 1.0 GPM Rosespray, Push Button
 Metering Cartridge & 1/2" NPT Female Inlet

Product Compliance:
 ASME A112.18.1 / CSA B125.1
 NSF 61 - Section 9
 NSF 372 (Low Lead Content)
 ANSI A117.1 (ADA)



T&S BRASS AND BRONZE WORKS, INC.
 2 Saddleback Cove / P.O. Box 1088
 Travelers Rest, SC 29690

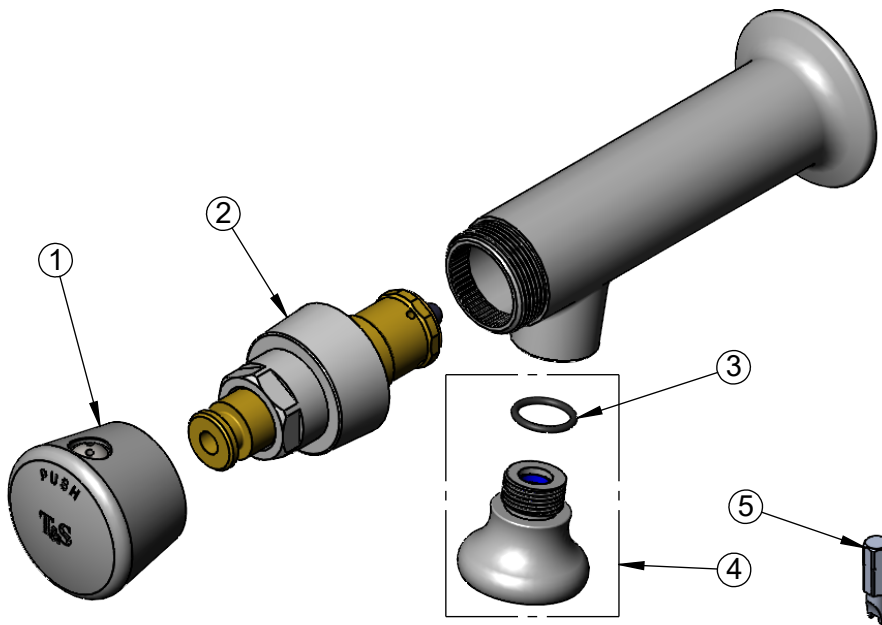
Model No.
B-0800-F10

Item No.

Travelers Rest, SC: 800-476-4103 • Simi Valley, CA: 800-423-0150 • Fax: 864-834-3518 • www.tsbrass.com

BOM Table

ITEM NO.	SALES NO.	DESCRIPTION
1	014193-40	B-0800-F10 Faucet Assembly
2	238A	Push Button Metering Cartridge
3	006575-45	Washer
4	B-0103-FD10	1.0 GPM Rosespray Outlet
5	014734-45	#8 Spanner Bit



Product Specifications:
 Wash Sink Metering Faucet w/ 1.0 GPM Rosespray, Push Button
 Metering Cartridge & 1/2" NPT Female Inlet

Product Compliance:
 ASME A112.18.1 / CSA B125.1
 NSF 61 - Section 9
 NSF 372 (Low Lead Content)
 ANSI A117.1 (ADA)