



**T&S BRASS AND BRONZE WORKS, INC.**  
 2 Saddleback Cove / P.O. Box 1088  
 Travelers Rest, SC 29690

Model No.  
**B-0408-04**

Item No.

Travelers Rest, SC: 800-476-4103 • Simi Valley, CA: 800-423-0150 • Fax: 864-834-3518 • www.tsbrass.com

This Space for Architect/Engineer Approval

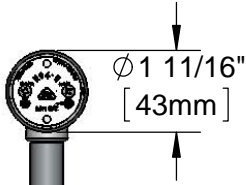
Job Name \_\_\_\_\_ Date \_\_\_\_\_

Model Specified \_\_\_\_\_ Quantity \_\_\_\_\_

Customer/Wholesaler \_\_\_\_\_

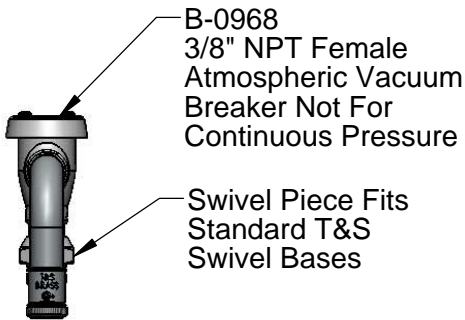
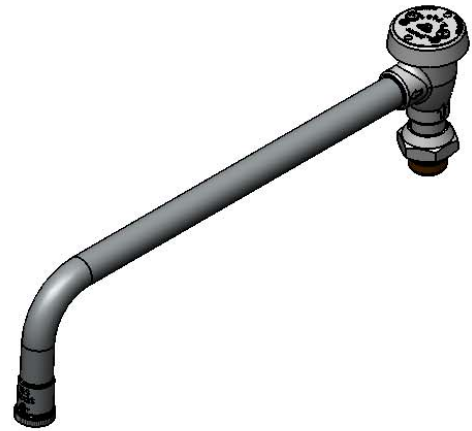
Contractor \_\_\_\_\_

Architect/Engineer \_\_\_\_\_



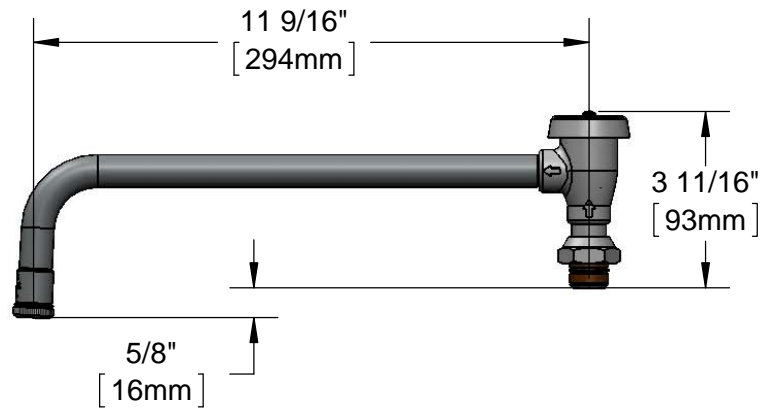
Ø 1 11/16"  
 [43mm]

12" Nozzle w/  
 BL-T Stream  
 Regulator Outlet



B-0968  
 3/8" NPT Female  
 Atmospheric Vacuum  
 Breaker Not For  
 Continuous Pressure

Swivel Piece Fits  
 Standard T&S  
 Swivel Bases



11 9/16"  
 [294mm]

3 11/16"  
 [93mm]

5/8"  
 [16mm]

Product Specifications:  
 Vacuum Breaker Swing Nozzle w/ Stream Regulator Outlet and Swivel Base Inlet

Product Compliance:  
 ASME A112.18.1 / CSA B125.1  
 NSF 61 - Section 9  
 NSF 372 (Low Lead Content)  
 ASSE 1001 (VB)

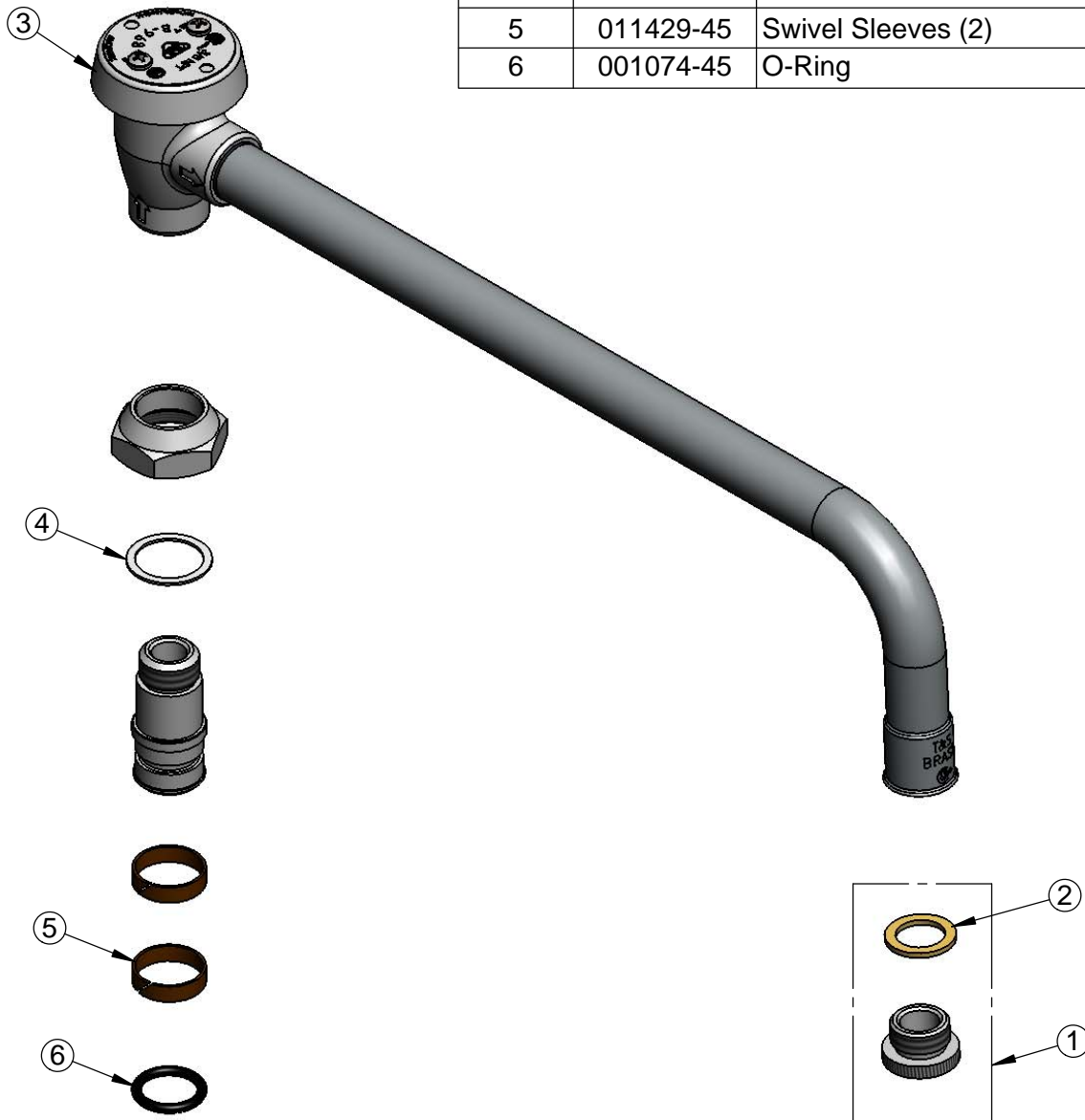


**T&S BRASS AND BRONZE WORKS, INC.**  
 2 Saddleback Cove / P.O. Box 1088  
 Travelers Rest, SC 29690

Model No.  
**B-0408-04**  
 Item No.

Travelers Rest, SC: 800-476-4103 • Simi Valley, CA: 800-423-0150 • Fax: 864-834-3518 • www.tsbrass.com

ITEM NO.	SALES NO.	DESCRIPTION
1	B-LT	Stream Regulator Outlet
2	001043-45	Washer
3	B-0968	3/8" NPT Vacuum Breaker
4	009E	Plastic Washer
5	011429-45	Swivel Sleeves (2)
6	001074-45	O-Ring



Product Specifications:  
 Vacuum Breaker Swing Nozzle w/ Stream Regulator Outlet and Swivel  
 Base Inlet

Product Compliance:  
 ASME A112.18.1 / CSA B125.1  
 NSF 61 - Section 9  
 NSF 372 (Low Lead Content)  
 ASSE 1001 (VB)