



Architect/Engineering Specifications:

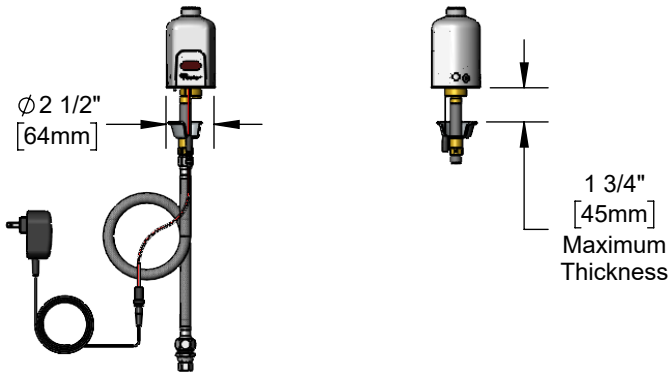
Single hole single temperature deck mount electronic sensor faucet with polished chrome plated brass body less nozzle, above deck electronic AC/DC control module with internal flow control setting switches, anti-rotation pin, 18" flexible stainless steel supply hose and check valve adapter with 3/8" compression connection. Certified to ASME A112.18.1/CSA B125.1, NSF 61-Section 9, NSF 372 and UL 1951. Meets ADA ANSI/ICC A117.1 requirements.

Job Name _____

Model Specified _____ Quantity _____

Variations Specified _____

Date _____



Features & Benefits:

- Single hole single temperature deck mount faucet with polished chrome plated brass body
- Less nozzle
- Swivel outlet accepts standard T&S swivel goosenecks
- Above deck electronic control module w/ internal flow control switches for adjusting auto time out & shut off delay settings
- Optional auto flush feature flows water for 30 seconds after every 12 inactive hours
- Optional metering mode
- Plug in AC transformer or 6 VDC lithium battery (DC) power options
- Anti-rotation pin
- 18" flexible stainless steel supply hose with filter washer
- Check valve adapter with 3/8" compression connection
- Low battery LED indicator light
- Material: Polished chrome plated brass body

Product Compliance:

- ASME A112.18.1 / CSA B125.1
- NSF 61 - Section 9
- NSF 372 (Low Lead Content)
- ANSI A117.1 (ADA)
- UL 1951



ADA Compliant



Warranty: Three Year (Limited)

Performance Data:

- Pressure: 20 - 125 psi [1.38 - 8.62 bar]
- Temperature: 40°F - 140°F [4.44°C - 60°C]
- Flow Rate: 2.89 GPM [10.9 L/min] @ 60 psi [4.14 bar]
- Water Consumption: @10 sec = .48 gal [1.82 L]
@15 sec = .72 gal [2.73 L]

(Outlet Device &/or Final Configuration May Reduce Flow Rate)

Optional Deck Plates

- 4" Chrome Plated Brass Deck Plate
- 8" Chrome Plated Brass Deck Plate

