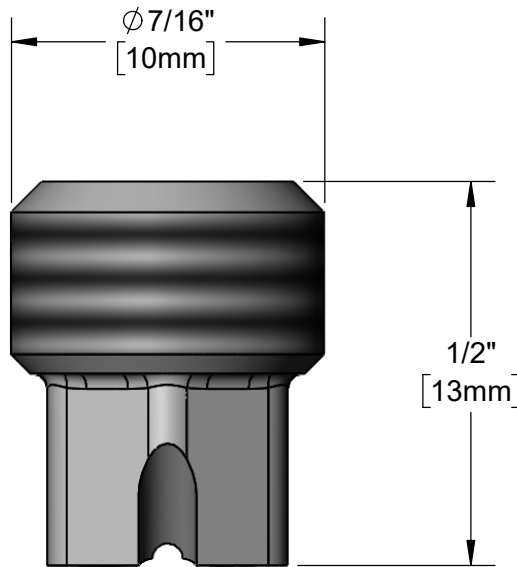
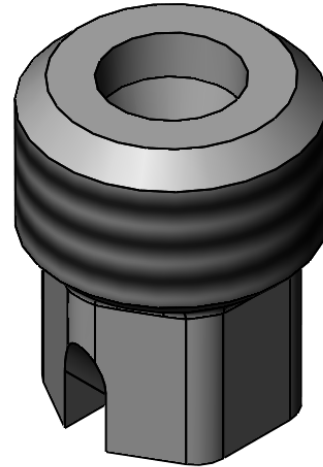




Architect/Engineering Specifications:

0.3 GPM Spray Tip with 15° Fan Spray. NSF 69 - Section 9 & NSF 372 (Low Lead Content)

Job Name _____
 Model Specified _____ Quantity _____
 Variations Specified _____
 Date _____



Features & Benefits:

- 0.3 GPM spray tip with 15° fan spray
- Material: Stainless steel

Product Compliance:

- NSF 61 - Section 9
- NSF 372 (Low Lead Content)



Warranty: One Year (Limited)

Performance Data:

- Pressure: 20 - 125 psi [1.38 - 8.62 bar]
- Temperature: 40 °F - 140 °F [4.44 °C - 60 °C]
- Flow Rate: 0.3 GPM [1.14 L/min] @ 60 psi [4.14 bar]

