



T&S BRASS AND BRONZE WORKS, INC.

2 Saddleback Cove / P.O. Box 1088
Travelers Rest, SC 29690

Model No.

B-0140-01

Item No.

Travelers Rest, SC: 800-476-4103 • Simi Valley, CA: 800-423-0150 • Fax: 864-834-3518 • www.tsbrass.com

This Space for Architect/Engineer Approval

Job Name _____ Date _____

Model Specified _____ Quantity _____

Customer/Wholesaler _____

Contractor _____

Architect/Engineer _____

12 5/8"
[321mm]



3/8" NPT x
18" Riser

3/8" Pipe
Coupling

3/8" NPT x
24" Riser

EasyInstall
Lock Nut &
Bushing

3 11/16"
[93mm]

8"
[203mm]

Adjustable From
7 3/4" to 8 1/4"
[197mm to 210mm]

Items Not Shown
For Clarity

Balancer
3/8" NPT
Vacuum
Breaker

68" Flexible
Stainless
Steel Hose

B-0107-C35
0.65 GPM
Low Flow Angled
Spray Valve

Quarter-Turn
Cerama Cartridges
w/ Check Valves &
Lever Handles w/
Color Coded Indexes

Ø2" [51mm]
Flanges w/
1/2" NPT
Female Inlets

14"

[356mm]

B-0109-01
6" Wall
Bracket

B-0109-01
6" Wall
Bracket

47 1/16"
[1196mm]

Product Specifications:

Pre-Rinse Unit: 8" Wall Mount Mixing Faucet, Quarter-Turn Cerama Cartridges w/ Check Valves, Vacuum Breaker, Lever Handles, 18" & 24" Risers, 6" Wall Bracket, 14" Extension Arm, Balancer, 0.65 GPM Angled Low Flow Spray Valve, 68" Flexible Stainless Steel Hose and 1/2" NPT Female Inlets

Product Compliance:

ASME A112.18.1 / CSA B125.1
NSF 61 - Section 9
NSF 372 (Low Lead Content)
CSA B64.8 (VB)
2019 DOE PRSV - Class I



T&S BRASS AND BRONZE WORKS, INC.

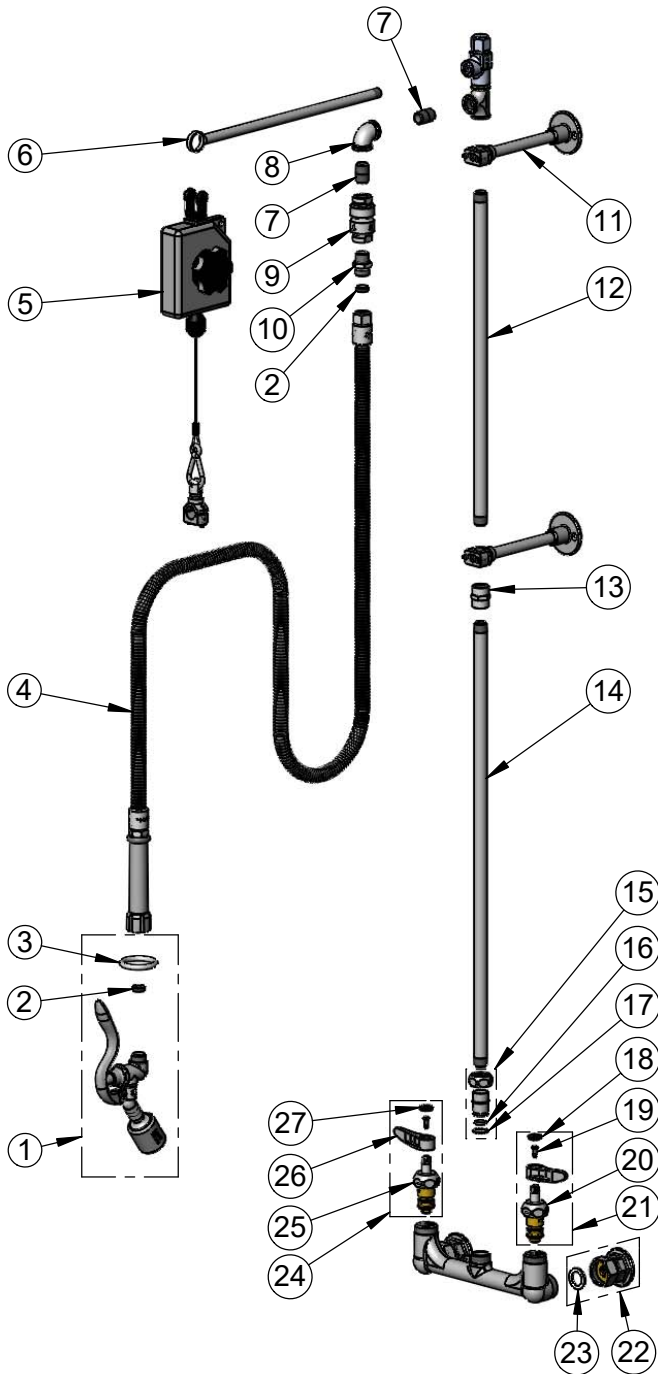
2 Saddleback Cove / P.O. Box 1088
Travelers Rest, SC 29690

Model No.

B-0140-01

Item No.

Travelers Rest, SC: 800-476-4103 • Simi Valley, CA: 800-423-0150 • Fax: 864-834-3518 • www.tsbrass.com



ITEM NO.	SALES NO.	DESCRIPTION
1	B-0107-C35	0.65 GPM Low Flow Angled Spray Valve
2	010476-45	#27 Washer
3	000907-45	Spray Valve Hold Down Ring
4	B-0068-H	68" Flexible Stainless Steel Hose w/ Grip Handle
5	005311-40	Balancer
6	005252-40	Extension Arm, Chrome Plated
7	002535-25	3/8" Close Nipple
8	001355-40	Elbow, 3/8 NPT
9	B-0970-FE	3/8" NPT Vacuum Breaker
10	053A	Adapter, 3/8" NPT Male
11	B-0109-01	6" Wall Bracket
12	000369-40	3/8" NPT x 18" Riser
13	001769-40	Coupling, 3/8" NPT
14	000372-40	3/8" NPT x 24" Riser
15	EZ-K	EasyInstall Kit
16	001065-45	O-Ring
17	014200-45	Star Washer, Anti-Rotation
18	018506-19NS	Blue Button Index, Press-in
19	000925-45	Lab Handle Screw
20	012395-25NS	Quarter-Turn Cerama Cartridge w/ Check Valve, LTC
21	012447-25NS	Quarter-Turn Cerama Cartridge w/ Check Valve, Handle, Blue Index & Screw, LTC
22	00AA	1/2" NPT Female Eccentric Flange
23	001019-45	Coupling Nut Washer
24	012446-25NS	Quarter-Turn Cerama Cartridge w/ Check Valve, Handle, Red Index & Screw, RTC
25	012394-25NS	Quarter-Turn Cerama Cartridge w/ Check Valve, RTC
26	001638-45NS	Lever Handle (New Style)
27	001193-19NS	Red Button Index, Press-in

Product Specifications:

Pre-Rinse Unit: 8" Wall Mount Mixing Faucet, Quarter-Turn Cerama Cartridges w/ Check Valves, Vacuum Breaker, Lever Handles, 18" & 24" Risers, 6" Wall Bracket, 14" Extension Arm, Balancer, 0.65 GPM Angled Low Flow Spray Valve, 68" Flexible Stainless Steel Hose and 1/2" NPT Female Inlets

Product Compliance:

ASME A112.18.1 / CSA B125.1
NSF 61 - Section 9
NSF 372 (Low Lead Content)
CSA B64.8 (VB)
2019 DOE PRSV - Class I