



T&S BRASS AND BRONZE WORKS, INC.
 2 Saddleback Cove / P.O. Box 1088
 Travelers Rest, SC 29690

Model No.
B-0460

Item No.

Travelers Rest, SC: 800-476-4103 • Simi Valley, CA: 800-423-0150 • Fax: 864-834-3518 • www.tsbrass.com

This Space for Architect/Engineer Approval

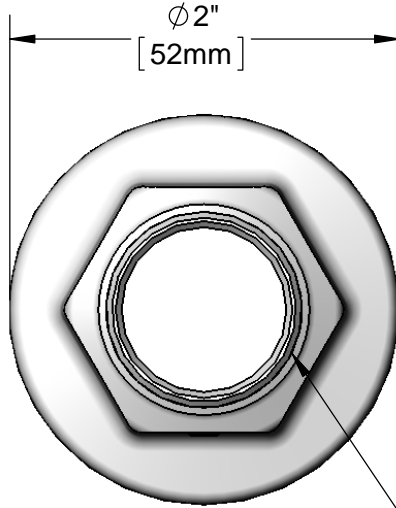
Job Name _____ Date _____

Model Specified _____ Quantity _____

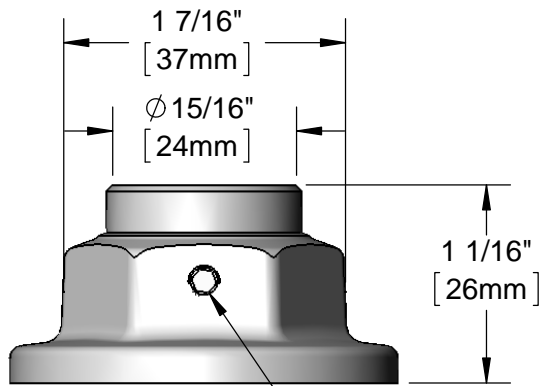
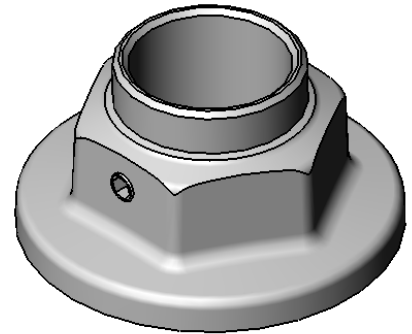
Customer/Wholesaler _____

Contractor _____

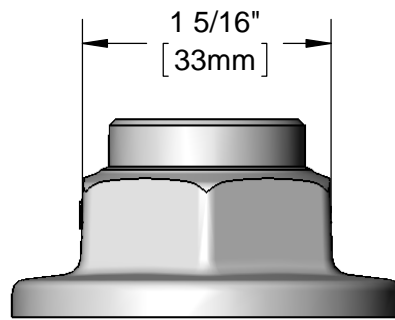
Architect/Engineer _____



Slip Hole Thru
 For 1/2" Pipe



Set Screw



Note:
 Pipe Must be Held Rigid Under Sink
 by Connection Fittings, Brace, Etc.

Product Specifications:
 Ø2" Adjustable Slip Flange for 1/2" NPT Pipe

Product Compliance: