



# T&S BRASS AND BRONZE WORKS, INC.

2 Saddleback Cove / P.O. Box 1088  
Travelers Rest, SC 29690

Model No.

**B-0868-04L**

Item No.

Travelers Rest, SC: 800-476-4103 • Simi Valley, CA: 800-423-0150 • Fax: 864-834-3518 • www.tsbrass.com

This Space for Architect/Engineer Approval

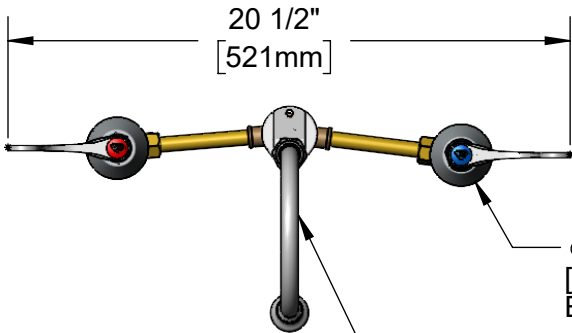
Job Name \_\_\_\_\_ Date \_\_\_\_\_

Model Specified \_\_\_\_\_ Quantity \_\_\_\_\_

Customer/Wholesaler \_\_\_\_\_

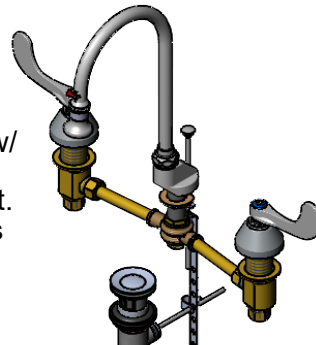
Contractor \_\_\_\_\_

Architect/Engineer \_\_\_\_\_

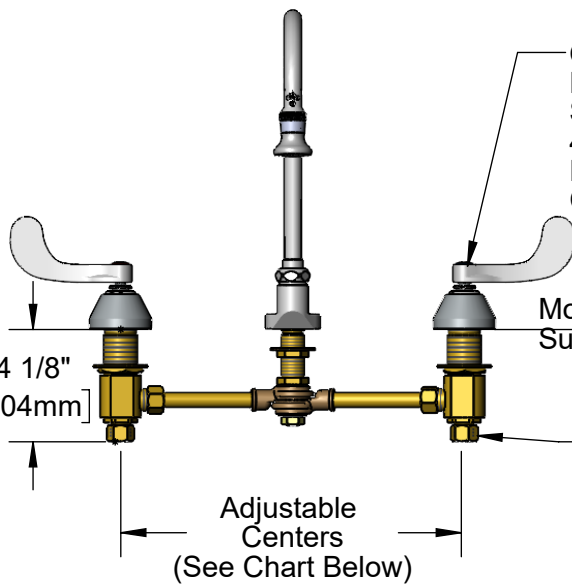


Ø 2 1/4"  
[57mm]  
Escutcheon

5 3/4" Swivel Gooseneck w/  
B-0103-01  
2.2 GPM Rosespray Outlet.  
Rigid Conversion Requires  
014200-45 Lock Washer  
(Included)



Pop-Up Drain

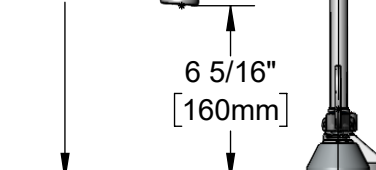
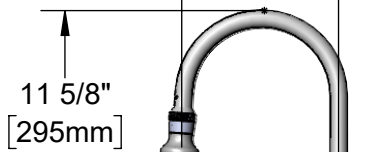
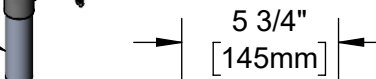


Quarter-Turn  
Eterna Cartridges w/  
Spring Checks &  
4" Wrist Action  
Handles w/ Color  
Coded Indexes

Mounting  
Surface

1/2" NPT  
Male Inlets w/  
Coupling Nuts

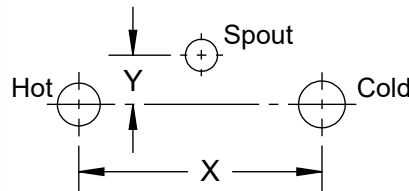
Adjustable  
Centers  
(See Chart Below)



1 5/16"  
[33mm]  
Maximum  
Thickness

**Rough-In Requirement:**  
Center Shank: Ø 1" [Ø 25mm] Mounting Hole  
Hot/Cold Bodies: Ø 1 1/2" [Ø 38mm] Mounting Holes  
Pop-Up Drain: Fits Sinks with Ø 1 7/16" [36mm] to  
Ø 1 3/4" [44mm] Drain Hole

Hot & Cold Center Sections  
Can be at Angle



if "Y" is Then Faucet Will  
Fit "X" with Standard  
1/4" NPT Cross Pipes  
Furnished

1/2"	12"
1"	11 3/4"
1 1/2"	11 3/8"
2"	11"

Product Specifications:

12" Adjustable Centers Deck Mount Mixing Faucet, Quarter-Turn Eterna Cartridges w/ Spring Checks, 4" Wrist Action Handles, 5 3/4" Rigid/Swivel Gooseneck w/ 2.2 GPM Rosespray Outlet, Pop-Up Drain & 1/2" NPT Male Inlets w/ Coupling Nuts

Product Compliance:

ASME A112.18.1 / CSA B125.1  
NSF 61 - Section 9  
NSF 372 (Low Lead Content)



# T&S BRASS AND BRONZE WORKS, INC.

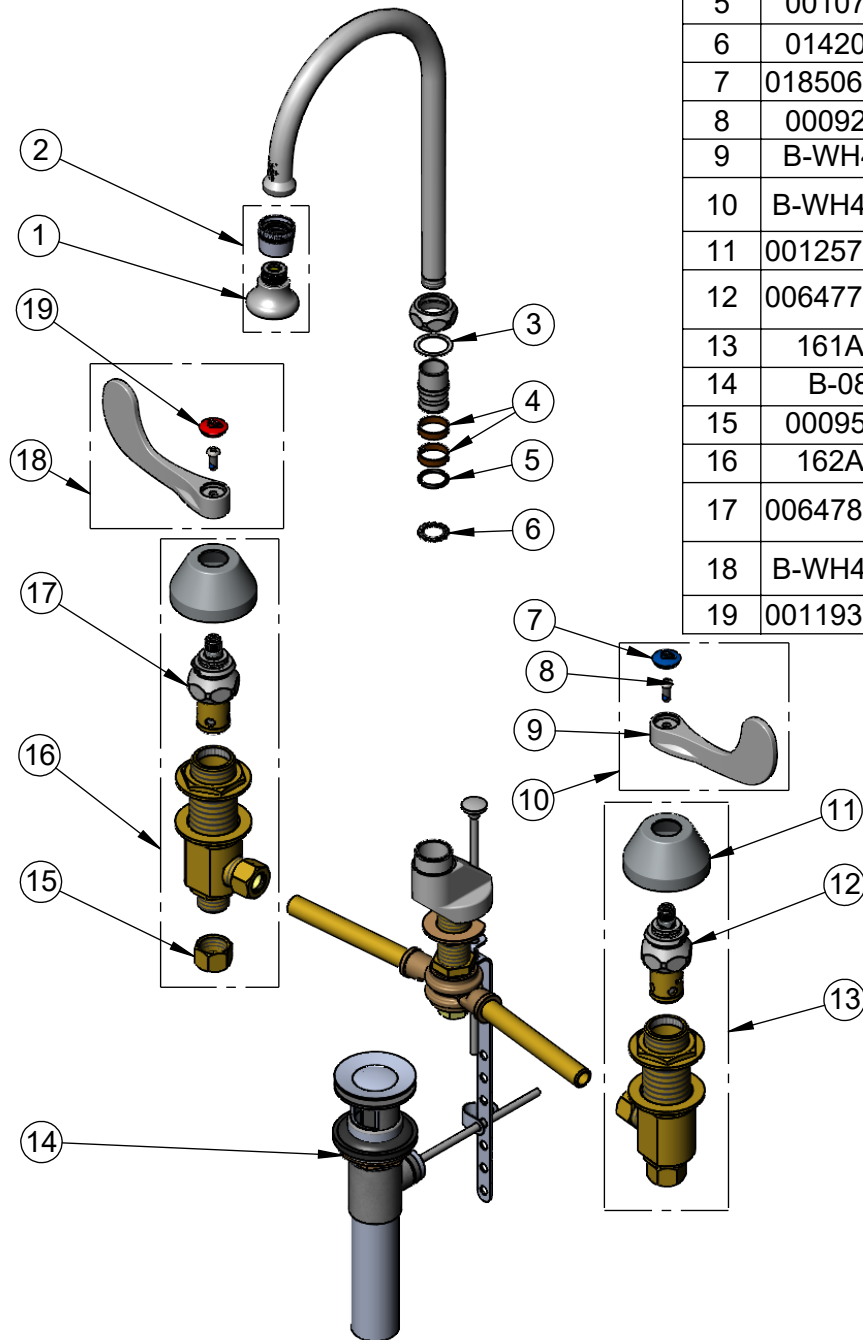
2 Saddleback Cove / P.O. Box 1088  
Travelers Rest, SC 29690

Model No.

**B-0868-04L**

Item No.

Travelers Rest, SC: 800-476-4103 • Simi Valley, CA: 800-423-0150 • Fax: 864-834-3518 • www.tsbrass.com



ITEM NO.	SALES NO.	DESCRIPTION
1	B-0103	2.2 GPM Rosespray Outlet
2	B-0103-01	2.2 GPM Rosespray Outlet w/ Adapter
3	009538-45	Swivel Washer
4	011429-45	Swivel Sleeves (2)
5	001074-45	O-Ring
6	014200-45	Star Washer, Anti-Rotation
7	018506-19NS	Blue Button Index, Press-in
8	000925-45	Lab Handle Screw
9	B-WH4-NS	Wrist Action Handle - New Style
10	B-WH4C-NS	Wrist Action Handle, Blue Index & Screw
11	001257-40NS	Bell Escutcheon
12	006477-40NS	CWS Quarter-Turn Eterna Cartridge w/ Spring Check, LTC
13	161A-NS	B-0850 New Style Side Body - Cold
14	B-0898	Pop-Up Drain
15	000958-20	Coupling Nut
16	162A-NS	B-0850 New Style Side Body - Hot
17	006478-40NS	CWS Quarter-Turn Eterna Cartridge w/ Spring Check, RTC
18	B-WH4H-NS	Wrist Action Handle, Red Index & Screw
19	001193-19NS	Red Button Index, Press-in

**Product Specifications:**

12" Adjustable Centers Deck Mount Mixing Faucet, Quarter-Turn Eterna Cartridges w/ Spring Checks, 4" Wrist Action Handles, 5 3/4" Rigid/Swivel Gooseneck w/ 2.2 GPM Rosespray Outlet, Pop-Up Drain & 1/2" NPT Male Inlets w/ Coupling Nuts

**Product Compliance:**

ASME A112.18.1 / CSA B125.1  
NSF 61 - Section 9  
NSF 372 (Low Lead Content)