



**ADA Compliant**

*This Space for Architect/Engineer Approval*

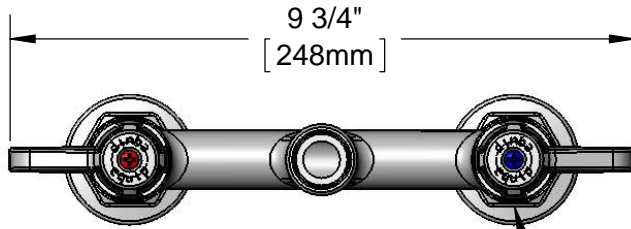
Job Name \_\_\_\_\_ Date \_\_\_\_\_

Model Specified \_\_\_\_\_ Quantity \_\_\_\_\_

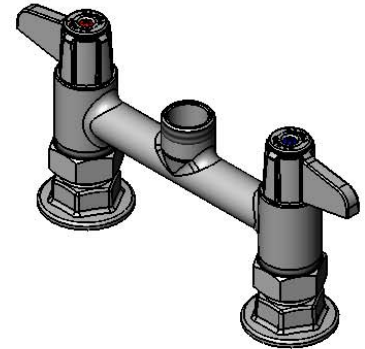
Customer/Wholesaler \_\_\_\_\_

Contractor \_\_\_\_\_

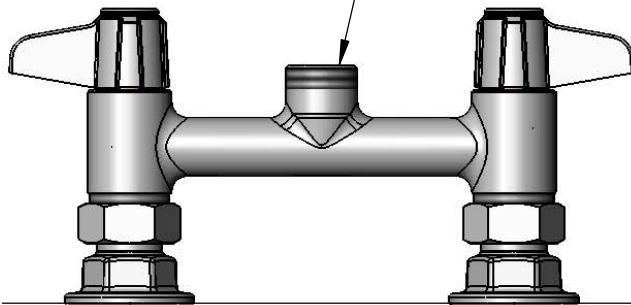
Architect/Engineer \_\_\_\_\_



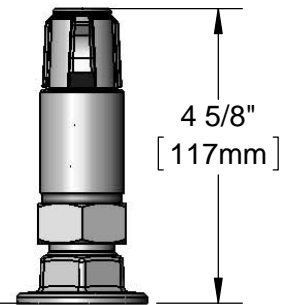
Quarter-Turn Ceramic Cartridges & equip Lever Handles w/ Color Coded Screws



Swivel Outlet Accepts equip Swing Nozzles. Rigid Conversion Requires 014200-45 Lock Washer (Sold Separately)



Mounting Surface



6" [152mm] Adjustable From 5 3/4" to 6 1/4" [146mm to 159mm] Ø 2" [51mm] Flanges w/ 1/2" NPT Female Inlets



Model Number

**5F-6DLX00**

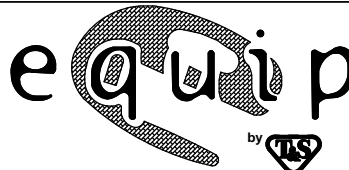
Product Specifications:

**6" Deck Mount Mixing Faucet, Less Nozzle, Quarter-Turn Ceramic Cartridges, equip Lever Handles & 1/2" NPT Female Inlets**

Product Compliance:

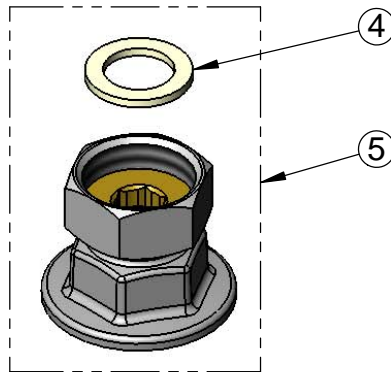
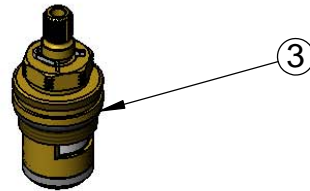
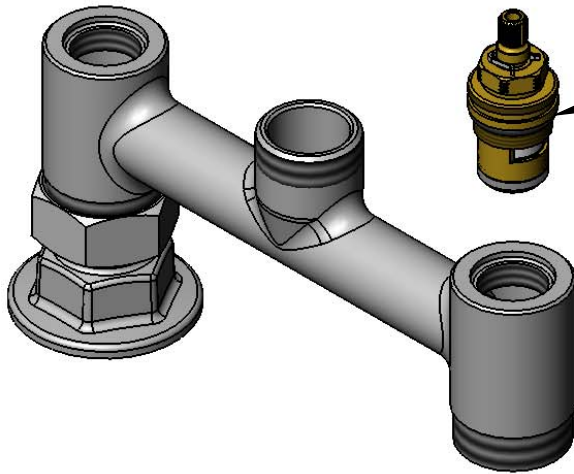
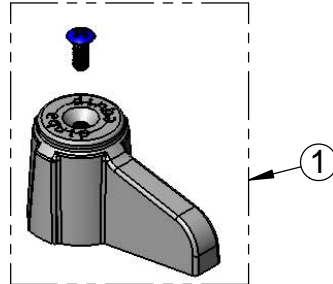
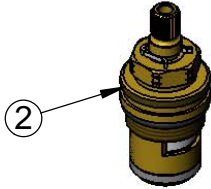
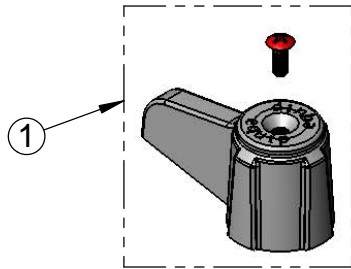
ASME A112.18.1 / CSA B125.1  
NSF 61 - Section 9  
NSF 372 (Low Lead Content)  
ANSI A117.1 (ADA)

equip  
Foodservice  
Accessories



2 Saddleback Cove, P.O. Box 1088  
Travelers Rest, South Carolina 29690  
Phone: 800.891.4808 Fax: 800.868.0084  
equip.tsbrass.com

ITEM NO.	SALES NO.	DESCRIPTION
1	5-HDL-L	equip Lever Handle w/ Color Coded Screws
2	013787-45	equip Ceramic Cartridge, RTC
3	013788-45	equip Ceramic Cartridge, LTC
4	001019-45	Coupling Nut Washer
5	00AA	1/2" NPT Female Eccentric Flange



Model Number

**5F-6DLX00**

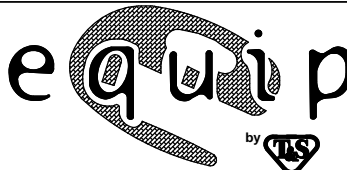
Product Specifications:

**6" Deck Mount Mixing Faucet, Less Nozzle, Quarter-Turn Ceramic Cartridges, equip Lever Handles & 1/2" NPT Female Inlets**

Product Compliance:

ASME A112.18.1 / CSA B125.1  
NSF 61 - Section 9  
NSF 372 (Low Lead Content)  
ANSI A117.1 (ADA)

equip  
Foodservice  
Accessories



2 Saddleback Cove, P.O. Box 1088  
Travelers Rest, South Carolina 29690  
Phone: 800.891.4808 Fax: 800.868.0084  
equip.tsbrass.com